

AMBIUS

ADLT90DPW Q5071080



90mm Downlight

3000K

4000K



Dim-to-Warm

3000K Dims to 2200K

LUMINAIRE SPECIFICATION

Model: ADLT90DPW

Wattage: 4W/8W

Lumens: 400-850

Colour Temp: 3000K / 4000K

Dimmable: Yes

Beam Angle 60 degrees

Cut-out: 75mm

Fascia: Flat

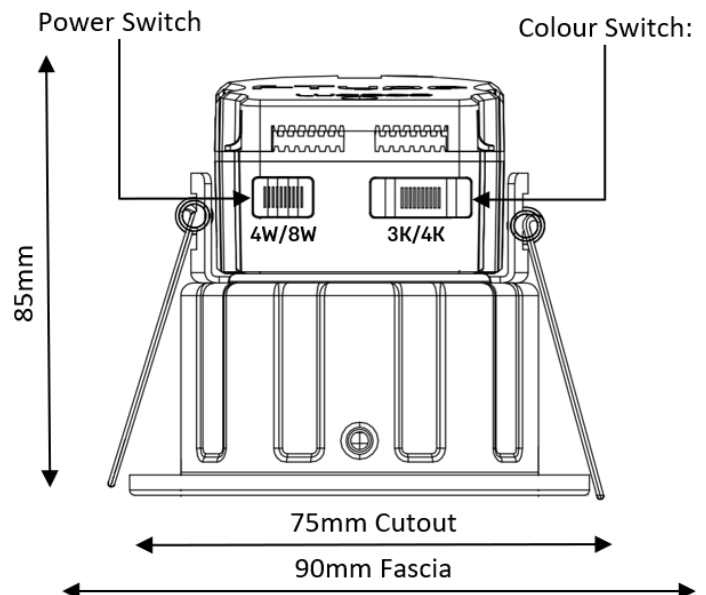
IP Rating: IP65 parts outside the ceiling

Estimated Lifespan: L80 50,000hrs

Classification IC-F

Input Voltage: 220-240Vac ~50Hz

*Installation Diameter: Not less than 75mm
(refer fascia size for maximum coverage for
retrofit installations)*



Dual Power

This product is a dual power fitting with 4W and 8W – table shows lumen outputs by wattages and colour temperatures

Lumen Output	4W	8W
3000K	400	850
4000K	450	850



Dim-to-Warm

This light can be switched between 3K and 4K colour temperatures. Dim-to-Warm operates on the 3K setting only and transitions the light down to 2200K as you dim the light.



3000K Dim2Warm setting

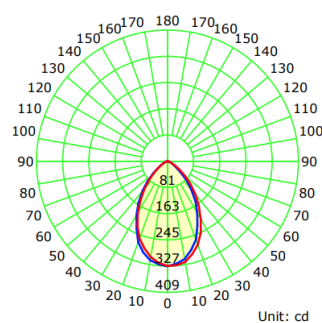


4000K setting

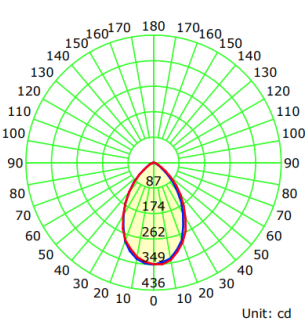


PHOTOMETRICS

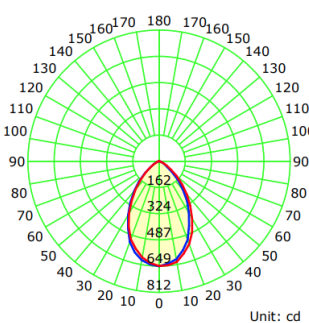
— C0-C180 — C90-C270



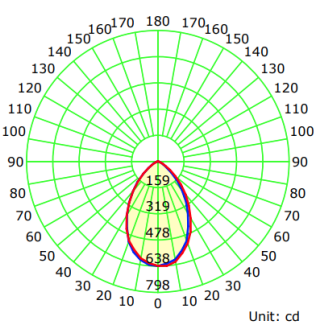
4W - 3000k



4W - 4000k



8W - 3000k



8W - 4000k