

# AMBIUS

## ADLED12W110D-2T Q5070920



### 110mm Downlight

3000K

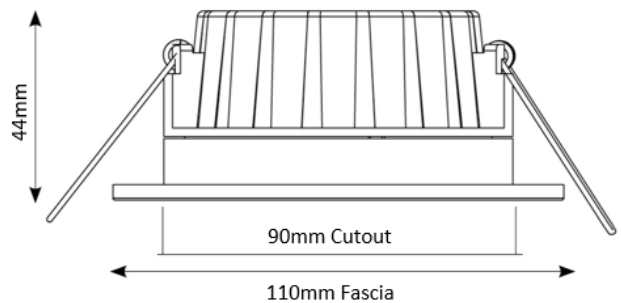
4000K



#### LUMINAIRE SPECIFICATION:

Model: ADLED12W110D-2T  
Wattage: 12W  
Lumens: 800-900  
Colour Temp: 3000K / 4000K  
Dimmable: Yes  
Beam Angle: 110 degrees  
Cut-out: 90mm  
Fascia: Recessed  
IP Rating: IP44 parts outside the ceiling  
Estimated Lifespan: L80 54,000hrs  
Classification: IC-F  
Input Voltage: 220-240Vac ~50Hz  
*Installation Diameter: Not less than 90mm (refer fascia size for maximum coverage for retrofit installations)*

#### DIMENSIONS



#### PHOTOMETRICS

