

AMBIUS

ADLED10W95-2T Q5070900

90+ CRI

95mm Downlight

3000K

4000K

800-900
LUMENS

78mm
CUTOUT

IP65

TWISTLOCK
CONNECTION



LUMINAIRE SPECIFICATION:

Model: ADLED10W95-2T

Wattage: 10W

Lumens: 800-900

Colour Temp: 3000K / 4000K

Dimmable: Yes

Beam Angle: 120 degrees

Cut-out: 78mm

Fascia: Recessed

IP Rating: IP65 parts outside the ceiling

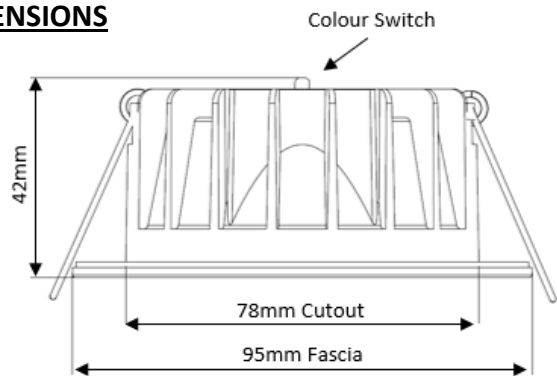
Estimated Lifespan: L80 54,000hrs

Classification: IC-F

Input Voltage: 220-240Vac ~50Hz

Installation Diameter: Not less than 78mm (refer fascia size for maximum coverage for retrofit installations)

DIMENSIONS



PHOTOMETRICS

