

# AMBIUS

## ADL20W192 Q5070270

80+ CRI

1700-2300 LUMENS

175mm CUTOUT

IP40

### 192mm Downlight

4000K



DUAL POWER SWITCH

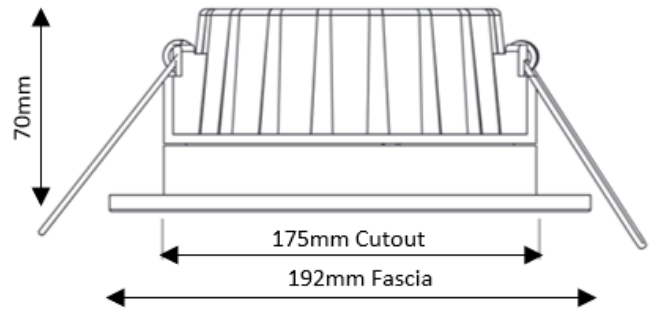


### LUMINAIRE SPECIFICATION:

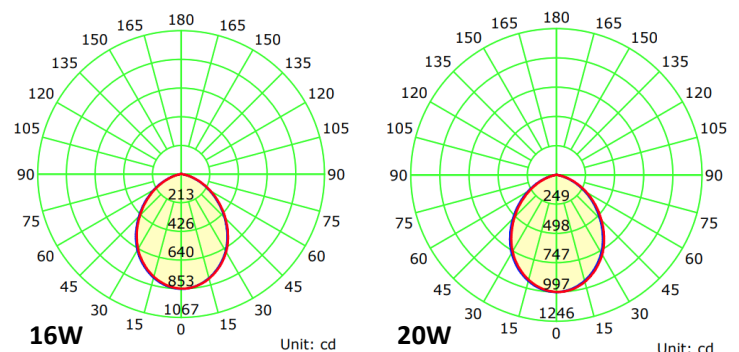
Model: ADL20W192  
Wattage: 16W / 20W  
Lumens: 1700-2300  
Colour Temp: 4000K  
Dimmable: Yes  
Beam Angle: 120 degrees  
Cut-out: 175mm  
Fascia: Recessed  
IP Rating: IP40 parts outside the ceiling  
Estimated Lifespan: L80 50,000hrs  
Classification: IC-F  
Input Voltage: 220-240Vac ~50Hz

*Installation Diameter: Not less than 175mm (refer fascia size for maximum coverage for retrofit installations)*

### DIMENSIONS



### PHOTOMETRICS



— C0-C180 — C90-C270