

AMBIUS

Downlight

12W LED

Colour Switchable

IC-F
ABUTTED &
COVERED



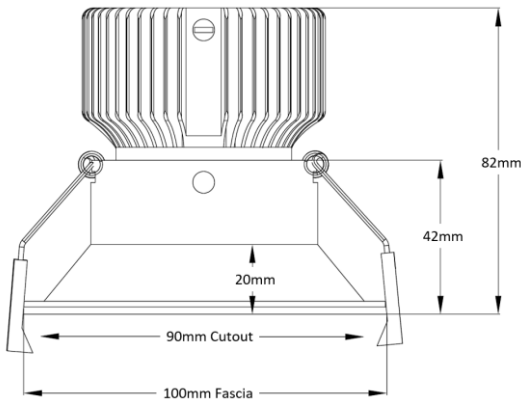
True Colour Temperature

3000K

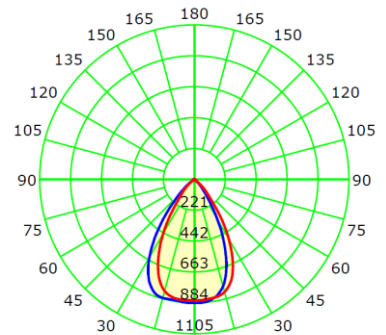
4000K

ADARC12WLRW-2T

Q5070880



3000K PHOTOMETRICS



Unit: cd

LUMINAIRE SPECIFICATION:

Model: ADARC12WLRW-2T

Colour Changing Switch: 3000k 850 Lumens

4000k 950 Lumens

Dimmable: Yes

Includes driver that can be abutted and covered

Beam Angle: 60 Degrees

Rating: IC-F & IC-4

Wattage: 12W

IP Rating: IP44

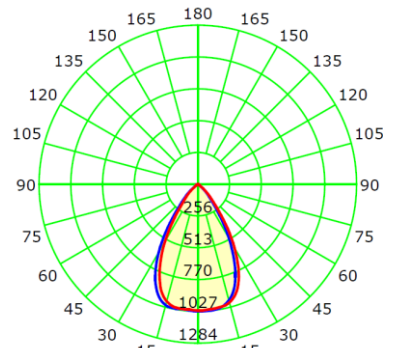
Life Span: L80 54,000hrs

Input Voltage: 220 - 240 Volts ~50Hz

Installation Hole Diameter 90mm

(refer fascia diameter for retrofit installations)

4000K PHOTOMETRICS



Unit: cd