

## F45, F60 AND F60D UNIVERSAL REMOTE INSTALLATION AND OPERATION INSTRUCTIONS

*Included with the F45 Universal Remote:*

QTY.	PART#	DESCRIPTION
1	W660-0066	Transmitter
2	N043-0002	"AAA" Batteries
1	W080-0930	Wall Mount Cradle
1	W660-0076	Receiver
1	W500-0405	Wall Faceplate
1	W500-0404	Fireplace Mounting Plate
1	W660-0080	Slide Switch
4	W043-0002	"AA" Batteries

*Included with the F60 Universal Remote:*

QTY.	PART#	DESCRIPTION
1	W660-0067	Transmitter
2	N043-0002	"AAA" Batteries
1	W080-0930	Wall Mount Cradle
1	W660-0076	Receiver
1	W500-0405	Wall Faceplate
1	W500-0404	Fireplace Mounting Plate
1	W660-0080	Slide Switch
4	W043-0002	"AA" Batteries

*Included with the F60D Universal Remote:*

QTY.	PART#	DESCRIPTION
1	**W660-0087	Transmitter
2	N043-0002	"AAA" Batteries
1	**W080-1050	Wall Mount Cradle
1	W660-0076	Receiver
1	W500-0405	Wall Faceplate
1	W500-0404	Fireplace Mounting Plate
1	W660-0080	Slide Switch
4	W043-0002	"AA" Batteries

\*\*FOR OTHER AVAILABLE COLOURS, ADD THESE LETTERS TO THE BASE PART NUMBER:

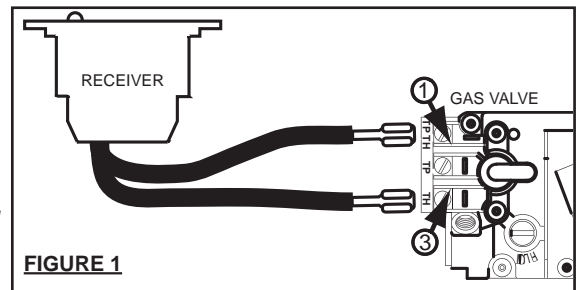
COLOUR	LETTER
BLACK	K
GREY	Y
RED	R

### 1. RECEIVER INSTALLATION

The receiver (W660-0076) can be installed as either a wall mount **(A)** or a appliance mount **(B)**. Depending on your application, follow the applicable steps below after having completed step 1.1.

**Turn off the electrical power and the gas supply to the appliance. Make sure the slide switch on the receiver is set to the "OFF" position.**

**1.1** Either disconnect the existing switch wiring at the valve, or connect in parallel with any other switch wiring at the valve. For millivolt switch wiring attach the wires to terminal 1 (marked TPTH) and terminal 3 (marked TH) of the gas valve from the output terminals on the receiver. **FIGURE 1 NOTE: If connecting the receiver to an appliance with electronic ignition, connect the receiver wires to the two leads from the control module, identified as switch wires. (It may be necessary to remove the spade connectors and join the wires using wire connectors)**



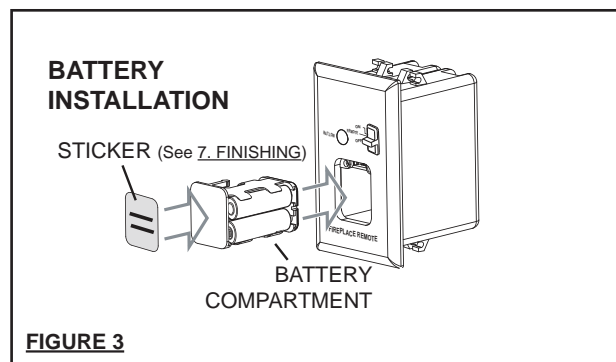
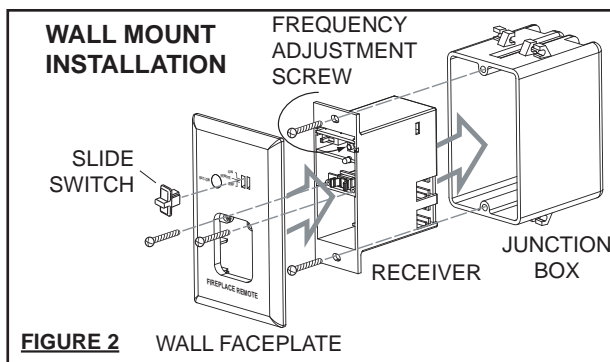
#### **(A) RECEIVER WALL MOUNT**

**1.2** Press the battery compartment slightly into the receiver and release enabling the battery compartment to pop out. Pull off the slide switch. Slide the receiver out of the wall mounting plate. **FIGURE 2**

**1.3** Using the screws provided secure the receiver and the wall face plate to an existing junction box. **FIGURE 2**

**1.4** Replace the black slide switch with the white one included to match the cover plate. Place 4 AA batteries into the battery compartment and slide the compartment back into the receiver. **FIGURE 3**

**1.5** Turn on the electrical power and the gas supply to the appliance.



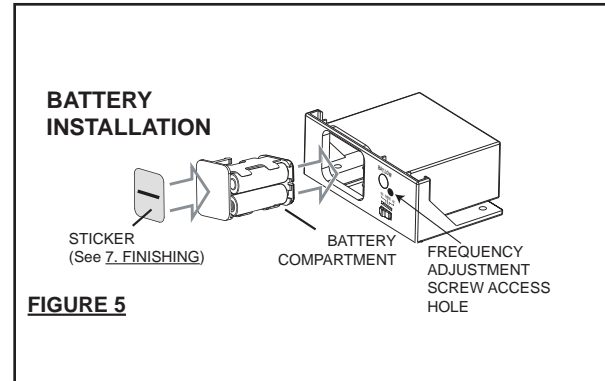
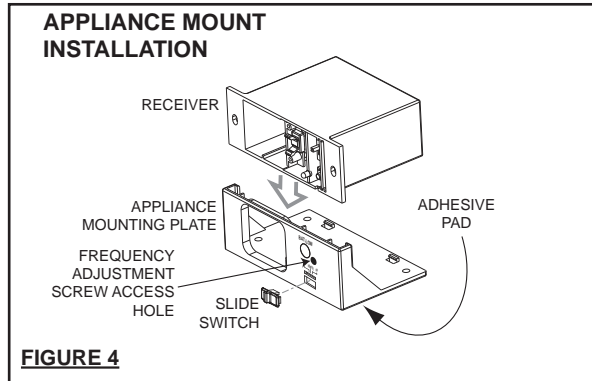
## (B) RECEIVER APPLIANCE MOUNT

**For stove and insert models:** Do not install the receiver in the gas control valve compartment in some models as this area becomes too hot. On stoves, it may be installed in or behind the pedestal; on inserts, it may be installed behind the flashings or a similar convenient location.

**In a zero clearance model:** The receiver may be installed in the gas control compartment located below the firebox with the exception of clean-faced models where access prohibits this location. See wall mount.

**1.2** Ensuring that the mounting location will allow for the battery compartment to pop out, secure the receiver to an appropriate location depending on the appliance model using the adhesive pad located on the bottom of the appliance mounting plate.

**1.3** Turn on the electrical power and the gas supply to the appliance.



## F45 TRANSMITTER OPERATION

The F45 universal remote has been approved for use with most gas fireplaces, stoves, and inserts using a millivolt system or electronic ignition system. The F45 provides on/off status, the current room temperature as well as having low battery indicator and child-proof features. The F45 allows you to switch the appliance on or off from anywhere in the room.

This transmitter kit is tested and safe when installed in accordance with these instructions.

### 2. COMMUNICATION BETWEEN THE TRANSMITTER AND RECEIVER:

**2.1** Place 2 "AAA" batteries into the battery compartment of the transmitter. **FIGURE 6**

**2.2** Place 4 "AA" batteries into the battery compartment of the receiver. **FIGURE 7**

**2.3** Slide the switch on the receiver to the "REMOTE" position. The low battery indicator on the receiver will flash and the receiver will beep twice. The receiver is now ready to communicate with the transmitter.

**You only have 30 seconds after the receiver is put in the "REMOTE" position to capture the code, which will be indicated by three beeps from the receiver.**

**2.4** Point the transmitter at the receiver, push and hold the "ON" button for 1 to 2 seconds to capture a pre-determined code.

**2.5** The low battery indicator on the receiver will flash and the receiver will beep three times to confirm synchronization with the transmitter. At this time the remote should be fully operational.

### **2.6 Troubleshooting**

The transmitter display says "ON" but the appliance is not on. Turn the transmitter to "OFF" and then back to "ON". Pushing the "ON" button too quickly will not allow the receiver to pick up the signal from the transmitter. The transmitter button must be held for 1 to 2 seconds. If the remote still fails to communicate with the receiver move closer to the receiver to ensure communication is not interrupted.

**NOTE:** To access the frequency adjustment screw in a wall mount installation, the wall face plate must be removed. The frequency adjustment screw has been factory set. If for any reason the communication isn't strong enough between the receiver and transmitter, you can turn the adjustment screw counter-clockwise to increase its strength or clockwise to decrease it. 1/4 turns are recommended.

### 3. BATTERIES:

Batteries should be replaced at least every 6 months or when the low battery indicator is lit on the receiver or the transmitter LCD. **Use alkaline batteries only.**

#### **3.1 TO CHANGE BATTERIES:**

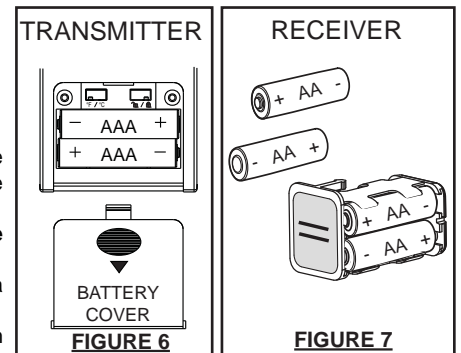
**Receiver:** Slide the switch to OFF. Press the battery compartment slightly into the receiver and release enabling the battery compartment to pop out. After removing the original batteries, wait at least 1 minute before replacing with fresh batteries. (Follow the programming instructions previously stated)

#### **FIGURE 7**

**Transmitter:** Gently press and slide the battery cover from the rear surface of the transmitter. After removing the original batteries, wait at least 1 minute before replacing with fresh batteries. **FIGURE 6**

#### **3.2 IN THE EVENT OF A BATTERY FAILURE:**

If the receiver batteries fail, the appliance will no longer turn on or off. To operate the appliance in the event of a battery failure, the slide switch located on the receiver may be switched to the "ON" position to operate the appliance. **(Section 1)**



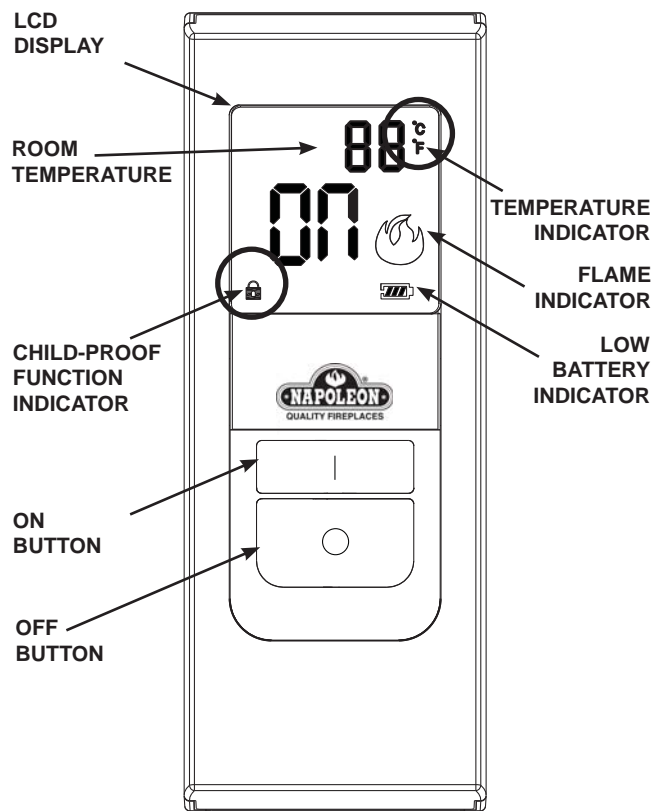
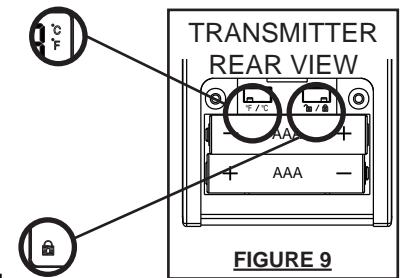


FIGURE 8

F45

**4. TRANSMITTER OPERATION:**

The receiver switch must be in the **REMOTE** position for the transmitter to function. This remote system operates using radio frequency signals sent by the transmitter to the receiver. It is recommended that the distance between the transmitter and receiver never exceeds 20' and 10' if the receiver is located within the firebox shell. Low batteries will also affect operational distance.

**5. TEMPERATURE FUNCTION:**

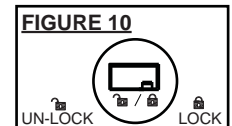
Remove the battery cover on the back of the transmitter to expose the °C/°F dip switch. Move the dip switch to your desired temperature mode. Selected temperature mode will appear in the top right corner beside the room temperature.

**6. CHILD-PROOF FUNCTION:**

**6.1** Remove the battery cover at the back of the transmitter to expose the child-proof dip switch.

**6.2** Slide the child-proof dip switch to the lock position to activate the child-proof function. A lock symbol will appear in the bottom left corner of the transmitter display when the child-proof function is activated.

**6.3** In child-proof mode the transmitter will not operate the receiver until the switch is returned to the un-lock position however the receiver will continue operate in the thermostatic mode when locked.

**F60 TRANSMITTER OPERATION**

The F60 universal remote has been approved for use with most gas fireplaces, stoves, and inserts using a millivolt system or electronic ignition. The F60 is a thermostatically controlled transmitter that provides on/off status, displays room/set temperature as well as having low battery indicator and child-proof features.

This transmitter kit is tested and safe when installed in accordance with these instructions.

**2. COMMUNICATION BETWEEN THE TRANSMITTER AND RECEIVER:**

**2.1** Place 2 "AAA" batteries into the battery compartment of the transmitter. **FIGURE 11**

**2.2** Place 4 "AA" batteries into the battery compartment of the receiver. **FIGURE 12**

**2.3** Slide the switch on the receiver to the "REMOTE" position. The low battery indicator on the receiver will flash and the receiver will beep twice. The receiver is now ready to communicate with the transmitter.

**2.4** Point the transmitter at the receiver, push and hold the "ON" button for 1 to 2 seconds to capture a pre-determined code.

**You only have 30 seconds after the receiver is put in the "REMOTE" position to capture the code, which will be indicated by three beeps from the receiver.**

**2.5** The low battery indicator on the receiver will flash and the receiver will beep three times to confirm synchronization with the transmitter. At this time the remote should be fully operational.

**2.6 TROUBLESHOOTING**

The transmitter display says "ON" but the appliance is not on. Turn the transmitter to "OFF" and then back to "ON". Pushing the "ON" button too quickly will not allow the receiver to pick up the signal from the transmitter. The transmitter button must be held for 1 to 2 seconds. If the remote still fails to communicate with the receiver move closer to the receiver to ensure communication is not interrupted.

**3. BATTERIES:**

Batteries should be replaced at least every 6 months or when the low battery indicator is lit on the receiver or the transmitter LCD. **Use alkaline batteries only.**

**3.1 TO CHANGE BATTERIES:**

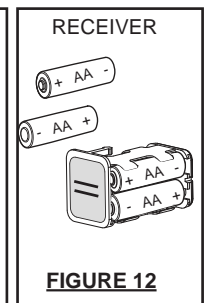
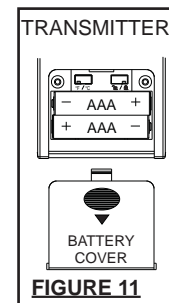
**Receiver:** Slide the switch to OFF. Press the battery compartment slightly into the receiver and release enabling the battery compartment to pop out. After removing the original batteries, wait at least 1 minute before replacing with fresh batteries. (Follow the programming instructions previously stated) **FIGURE 12**

**Transmitter:** Gently press and slide the battery cover from the rear surface of the transmitter. After removing the original batteries, wait at least 1 minute before replacing with fresh batteries. **FIGURE 11**

**3.2 IN THE EVENT OF A BATTERY FAILURE:**

If the receiver batteries fail, the appliance will no longer cycle on or off, remaining in the current operating mode. To operate the appliance in the event of a battery failure, the slide switch located on the receiver may be switched to the "ON" position to operate the appliance. **(Section 1)**

**3.3** If the transmitter batteries fail while in Thermostatic mode and there is no communication with the receiver, as a safety feature, the appliance will shut down after 12 hours and not function until batteries are replaced.



#### 4. TRANSMITTER OPERATION:

The receiver switch must be in the **REMOTE** position for the transmitter to function. This remote system operates using radio frequency signals sent by the transmitter to the receiver. It is recommended that the distance between the transmitter and receiver never exceeds 20' and 10' if the receiver is located within the fireplace's outer or inner cavity surrounding an insert. Low batteries will also affect operational distance.

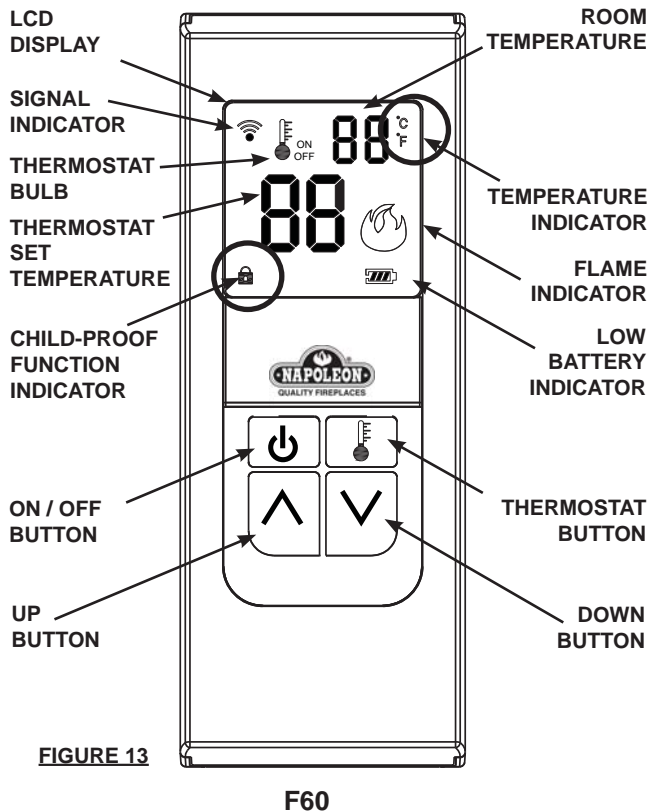


FIGURE 13

F60

#### 5. THERMOSTATIC FUNCTION:

Thermostatic control automatically cycles the appliance on and off to maintain the desired room temperature. When in thermostat mode, due to sensitive temperature monitoring components in the transmitter, it is important not to place the transmitter too close or too far from the appliance. Being too close will cycle the appliance on and off frequently, while being too far away may result in the appliance staying on for longer periods of time.

To turn the appliance burner on, press the (ON/OFF) button. The LCD will display the word "ON" and the flame indicator will be shaded in.

The (ON/OFF) button is used to turn the appliance on or off only. It does not set temperature.

The (THERMOSTAT) button is used to control room temperature. Once pushed, "ON" lights up next to the thermostat bulb located in the top left corner of the LCD screen.

Set desired room temperature using the (UP) and (DOWN) buttons.

If the temperature of the room exceeds or falls below the desired room temperature, the remote will automatically turn the appliance "OFF" or "ON".

To turn off thermostat mode, press (THERMOSTAT) button again.

**NOTE:** To reduce battery consumption, room temperature updates are made every 60 seconds.

When the transmitter batteries are exhausted or the transmitter is removed from the vicinity of the fireplace, the communication link will be broken. When in thermostatic mode, unless the batteries are replaced or the transmitter is returned, the fireplace will be shut off after 12 hours as a safety feature.

#### 6. THERMOSTATIC TEMPERATURE DIFFERENTIAL

In thermostatic mode there is a 1° temperature differential above and below the set temperature. This helps to cut back on the number of operational cycles. For example: if the set temperature is 20°, the appliance will turn on until the room temperature is 21°, then back off until the room temperature drops to 19°.

#### 7. TEMPERATURE FUNCTION:

Remove the battery cover on the back of the transmitter to expose the °C/°F dip switch. Move the dip switch to your desired temperature mode. Selected temperature mode will appear in the top right corner beside the room temperature.

#### 8. CHILD-PROOF FUNCTION:

**8.1** Remove the battery cover at the back of the transmitter to expose the child-proof dip switch.

**8.2** Slide the child-proof dip switch to the lock position to activate the child-proof function. A lock symbol will appear in the bottom left corner of the transmitter display when the child-proof function is activated.

**8.3** In child-proof mode the transmitter will not operate the receiver until the switch is returned to the un-lock position however the receiver will continue operate in the thermostatic mode when locked.

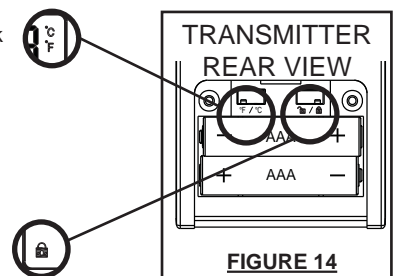


FIGURE 14

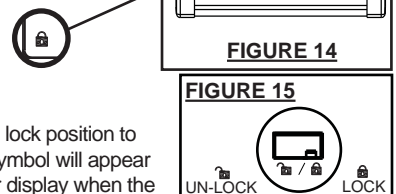


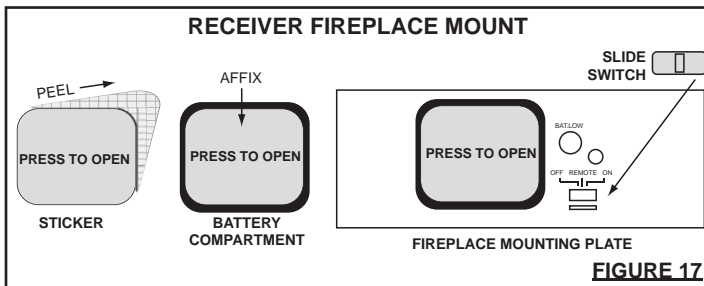
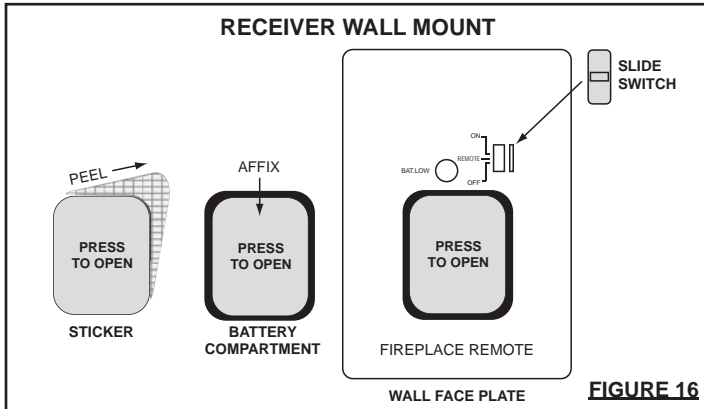
FIGURE 15

**9. FINISHING:**

Follow the diagram based on your receiver installation, wall mount or fireplace mount.

Remove the battery compartment from the receiver by pressing and releasing. Peel the self adhesive backing off the "PRESS TO OPEN" sticker and affix to the front surface of the battery compartment. Replace the battery compartment into the receiver.

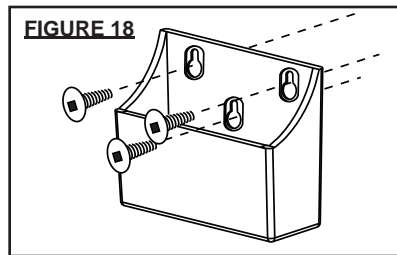
Secure the slide switch horizontally for the fireplace mounting plate and vertically for the wall faceplate.



**10. TRANSMITTER WALL MOUNT: (OPTIONAL)**

Secure the wall cradle to the desired wall location using screws, and anchors if required. If wall mount is not desired wall cradle can be discarded.

**FIGURE 18**



For remote video instructions, visit our website at [www.napoleonfireplaces.com](http://www.napoleonfireplaces.com).

If your Napoleon remote is not functioning properly, do not return it to the dealer. Call the Napoleon technical support at 1-866-539-2039 or email us at [care@napoleonproducts.com](mailto:care@napoleonproducts.com).

**! WARNING**

**PROPERTY DAMAGE HAZARD.**  
EXCESSIVE HEAT CAN CAUSE PROPERTY DAMAGE.  
The appliance can stay ignited for many hours. Take care to turn off the appliance if it is unattended by an adult.

**FIRE HAZARD. CAN CAUSE SEVERE INJURY OR DEATH.**  
The receiver causes the ignition of the appliance. The appliance can turn on suddenly. Keep away from the burner, especially when operating on the BACKUP switch.

Modification of any part of this kit will void any warranty claims and could create a fire hazard.

The transmitter and the receiver are radio frequency appliances. If the receiver is mounted inside metallic cases, severe loss of performance (reduction of working range) may result. When the receiver is installed inside the steel appliance shell, it is recommended that the transmitter be located no more than 10' away for consistent operation.

In the event of prolonged absences, the appliance installed with an F60 should not be left in thermostat mode or used as a primary heat source. Use a wall thermostat if required.

**FCC REQUIREMENTS:**

**! WARNING**

Changes or modifications to this unit not expressly approved by the party responsible for compliance could void the user's authority to operate the equipment.

**NOTE:** This equipment has been tested and found to comply with the limits for a Class B digital device, pursuant to Part 15 of the FCC Rules. These limits are designed to provide reasonable protection against harmful interference in a residential installation. This equipment generates, uses and can radiate radio frequency energy and, if not installed and used in accordance with the instructions, may cause harmful interference to radio communications. However, there is no guarantee that interference will not occur in a particular installation. If this equipment does cause harmful interference to radio or television reception, which can be determined by turning the equipment off and on, the user is encouraged to try to correct the interference by one or more of the following measures:

- Reorient or relocate the receiving antenna.
- Increase the separation between the equipment and receiver.
- Consult the dealer or an experienced radio TV technician for help.

**CANADIAN EQUIPMENT REQUIREMENTS:**

This digital apparatus does not exceed the (Class A / Class B) limits for radio noise emissions from digital apparatus set out in the Radio Interference Regulations of the Canadian Department of Communication. This device complies with RSS-210 of Industry and Science Canada. Operation is subject to the following two conditions: (1) this device may not cause interference, and (2) this device must accept any interference, including interference that may cause undesired operation of the device.



W415-1026 / A / 06.15.11



## INSTRUCTIONS D'INSTALLATION ET D'OPÉRATION DES TÉLÉCOMMANDES UNIVERSELLES F45, F60 ET F60D

Inclus avec la télécommande universelle F45 :

QTÉ	NO PIÈCE	DESCRIPTION
1	W660-0066	Télécommande
2	N043-0002	Piles « AAA »
1	W080-0930	Support mural
1	W660-0076	Récepteur
1	W500-0405	Plaque murale avant
1	W500-0406	Plaque de montage du foyer
1	W660-0080	Interrupteur
4	W043-0002	Piles « AA »

Inclus avec la télécommande universelle F60 :

QTÉ	NO PIÈCE	DESCRIPTION
1	W660-0067	Télécommande
2	N043-0002	Piles « AAA »
1	W080-0930	Support mural
1	W660-0076	Récepteur
1	W500-0405	Plaque murale avant
1	W500-0406	Plaque de montage du foyer
1	W660-0080	Interrupteur
4	W043-0002	Piles « AA »

Included with the F60D Universal Remote:

QTÉ	NO PIÈCE	DESCRIPTION
1	**W660-0087	Télécommande
2	N043-0002	Piles « AAA »
1	**W080-1050	Support mural
1	W660-0076	Récepteur
1	W500-0405	Plaque murale avant
1	W500-0404	Plaque de montage du foyer
1	W660-0080	Interrupteur
4	W043-0002	Piles « AA »

\*\*POUR LES AUTRES COULEURS OFFERTES, AJOUTEZ CES LETTRES AUX NUMÉROS DE PIÈCES :

COULEUR	LETTRE
NOIR	K
GRIS	Y
ROUGE	R

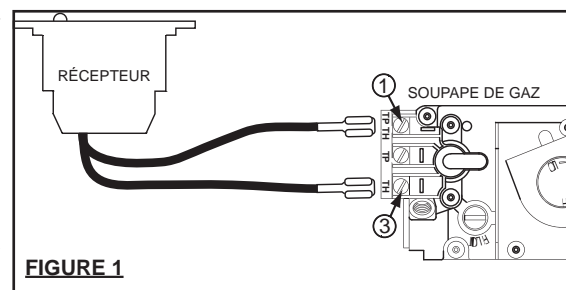
### 1. INSTALLATION DU RÉCEPTEUR

Le récepteur (W660-0076) peut être installé soit sur le mur A, soit sur l'appareil B. Selon votre appareil, suivez les étapes appropriées cidessous après avoir effectué l'étape 1.1.

**Coupez l'alimentation électrique et en gaz à l'appareil. Assurez-vous que l'interrupteur du récepteur est placé à « OFF ».**

1.1 Déconnectez le branchement à distance de la soupape ou branchez en parallèle avec tout autre branchement à distance de la soupape. Pour le branchement des fils de l'interrupteur millivolt, reliez les fils des bornes de sortie du récepteur à la borne 1 (TPTH) et à la borne 3 (TH) de la soupape de gaz.

**FIGURE 1 NOTE :** Si vous branchez le récepteur à un appareil possédant un système d'allumage électronique, branchez les fils du récepteur aux deux fils du module de contrôle, identifiés comme les fils d'interrupteur. (Il pourrait être nécessaire d'enlever les cosse et de raccorder les fils avec des connecteurs de fil.)



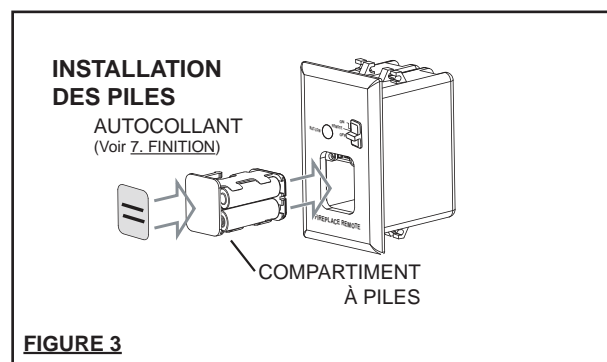
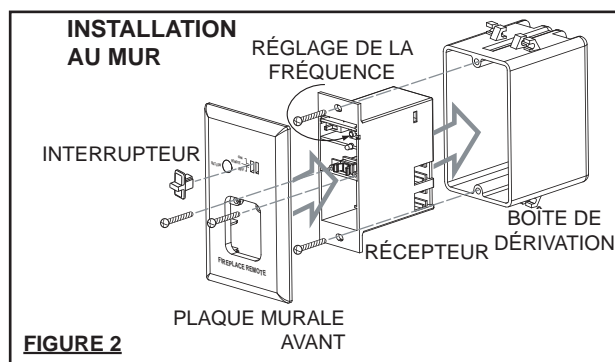
### A INSTALLATION DU RÉCEPTEUR AU MUR

1.2 Appuyez légèrement sur le compartiment à piles du récepteur puis relâchez-le afin de permettre au compartiment à piles de sortir. Retirez l'interrupteur. Glissez le récepteur hors de la plaque de montage.. **FIGURE 2**

1.3 À l'aide des vis fournies, fixez le récepteur et la plaque murale avant dans une boîte de dérivation existante. **FIGURE 2**

1.4 Remettez en place l'interrupteur noir avec l'interrupteur blanc inclus afin de correspondre à la plaque murale. Insérez quatre piles « AA » dans le compartiment à piles, puis insérez le compartiment dans le récepteur. **FIGURE 3**

1.5 Rétablissez l'alimentation électrique et en gaz à l'appareil.



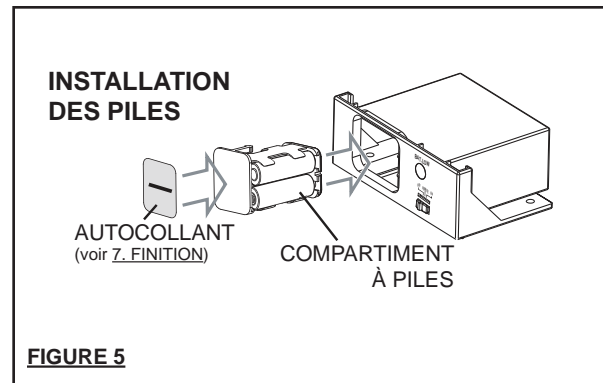
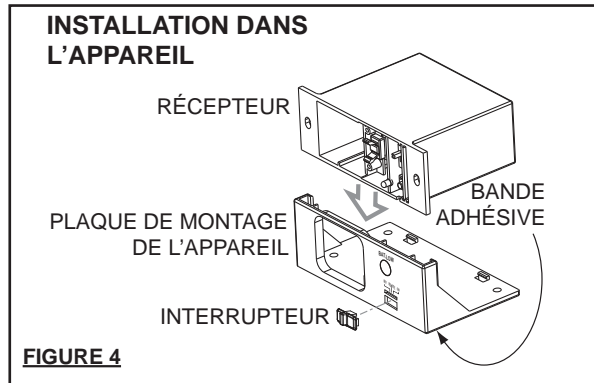
## B INSTALLATION DU RÉCEPTEUR DANS L'APPAREIL

**Pour les poêles et les encastrés :** pour certains modèles, n'installez pas le récepteur dans le compartiment de la soupape de contrôle du gaz, car cet endroit devient trop chaud. Sur les poêles, il peut être installé dans ou derrière le piédestal; sur les encastrés, il peut être installé derrière les contours ou à un endroit pratique similaire.

**Modèles à dégagement zéro :** le récepteur peut être installé dans le compartiment de contrôle du gaz situé sous l'appareil à l'exception des modèles pleine vision où l'accès à cet emplacement est interdit. Voir « Installation murale » (Figure 2).

**1.2** En vous assurant qu'il y ait suffisamment d'espace pour permettre au compartiment à piles d'être retiré, fixez le récepteur à un endroit approprié selon le modèle de l'appareil à l'aide de la bande adhésive située en dessous de la plaque de montage de l'appareil.

**1.3** Rétablissez l'alimentation électrique et en gaz à l'appareil.



## OPÉRATION DE LA TÉLÉCOMMANDE F45

L'utilisation de la télécommande universelle F45 a été approuvée pour la plupart des foyers, poêles et encastrés au gaz utilisant un système millivolt ou un système d'allumage électronique.

La F45 possède un bouton marche/arrêt, un indicateur de température ambiante de la pièce de même qu'un indicateur de piles faibles et une fonction « sécurité pour enfants ». La F45 vous permet d'allumer ou d'éteindre l'appareil de n'importe quel endroit dans la pièce.

Ce système de télécommande est testé et certifié sécuritaire lorsqu'il est installé selon ces instructions.

### 2. COMMUNICATION ENTRE LA TÉLÉCOMMANDE ET LE RÉCEPTEUR :

**2.1** Installez 2 piles « AAA » dans le compartiment à piles de la télécommande **FIGURE 6**

**2.2** Installez 4 piles « AA » dans le compartiment à piles du récepteur. **FIGURE 7**

**2.3** Placez le commutateur du récepteur à la position « REMOTE ». L'indicateur de piles faibles du récepteur clignotera et le récepteur émettra deux bips pour signaler qu'il est maintenant prêt à communiquer avec la télécommande.

**Vous n'avez que 30 secondes après que le récepteur est à la position « REMOTE » pour capter un code, qui sera indiqué par trois bips, émis par le récepteur.**

**2.4** Pointez la télécommande en direction du récepteur et appuyez sur le bouton « ON » pendant 1 à 2 secondes afin d'obtenir le code préprogrammé.

**2.5** L'indicateur de piles faibles du récepteur clignotera et le récepteur émettra trois bips afin de confirmer la synchronisation avec la télécommande. La télécommande devrait être entièrement fonctionnelle maintenant.

#### 2.6 Dépannage

L'afficheur de la télécommande indique « ON », mais l'appareil ne fonctionne pas. Éteignez la télécommande en appuyant sur « OFF » et allumez-la de nouveau en appuyant sur « ON ». Le récepteur ne pourra pas capter le signal de la télécommande si le bouton « ON » est enfoncé trop rapidement. Le bouton de la télécommande doit être enfoncé pendant 1 à 2 secondes. Si la télécommande est encore incapable de communiquer avec le récepteur, rapprochez-la du récepteur pour assurer une communication ininterrompue.

**NOTE :** Pour accéder à la vis de réglage de la fréquence dans une installation murale, vous devez retirer la plaque murale. La vis de réglage de la fréquence a été pré-réglée en usine. Si pour une raison quelconque la communication entre le récepteur et la télécommande n'est pas assez bonne, vous pouvez tourner la vis de réglage vers la gauche pour augmenter le signal ou vers la droite pour le diminuer.

### 3. PILES :

Les piles devraient être remplacées tous les six mois ou lorsque l'indicateur de piles faibles est allumé sur le récepteur ou l'afficheur de la télécommande. **N'utilisez que des piles alcalines.**

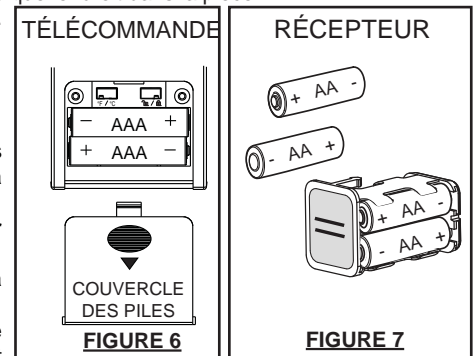
#### 3.1 POUR CHANGER LES PILES :

**Récepteur :** placez l'interrupteur à « OFF ». Appuyez légèrement sur le compartiment à piles du récepteur, puis relâchez-le afin de permettre au compartiment à piles de sortir. Après avoir retiré les piles d'origine, attendez au moins une minute avant de mettre en place les nouvelles piles. (Suivez les directives de programmation mentionnées précédemment) **FIGURE 7**

**Télécommande :** Appuyez légèrement sur le couvercle des piles et faites-le glisser depuis l'arrière de la télécommande. Après avoir retiré les piles d'origine, attendez au moins une minute avant de mettre en place les nouvelles piles. **FIGURE 6**

#### 3.2 EN CAS DE PANNE DE PILES :

Si les piles de la télécommande deviennent déchargées et qu'il n'y a plus de communication avec le récepteur, un dispositif de sécurité éteindra l'appareil après 12 heures et celui-ci ne fonctionnera à nouveau que lorsque les piles seront remplacées.



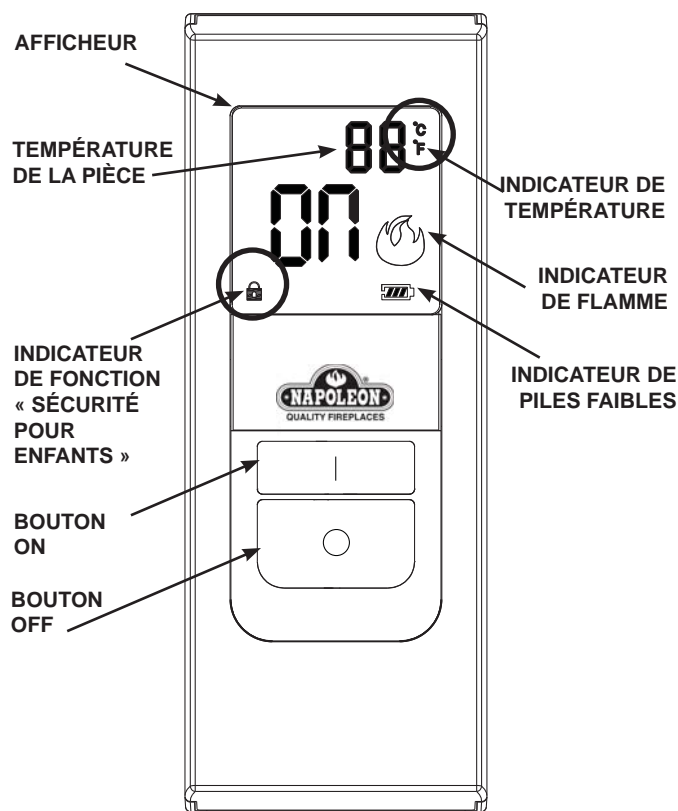


FIGURE 8

F45

**4. OPÉRATION DE LA TÉLÉCOMMANDE :**

L'interrupteur du récepteur doit être en position **REMOTE** pour que la télécommande fonctionne. Le système de télécommande fonctionne par radiofréquences qui sont envoyées par la télécommande au récepteur. Il est recommandé que la distance entre la télécommande et le récepteur n'excède jamais 20' et 10' si le récepteur est situé dans le caisson de l'appareil. Des piles faibles réduiront également la distance de fonctionnement.

**5. FONCTION DE TEMPÉRATURE**

Retirez le couvercle des piles au dos de la télécommande afin d'avoir accès à l'interrupteur °C/°F. Placez l'interrupteur au mode désiré. Le mode de température choisi apparaîtra dans le coin supérieur droit, à côté de la température de la pièce.

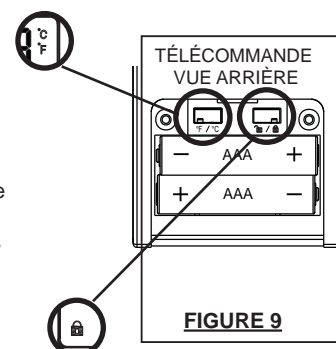


FIGURE 9

**6. FONCTION « SÉCURITÉ POUR ENFANTS » :**

**8.1** Retirez le couvercle de la télécommande afin d'exposer le commutateur de SÉCURITÉ POUR ENFANTS.

**8.2** Glissez le commutateur de SÉCURITÉ POUR ENFANTS à la position de verrouillage afin d'activer la fonction SÉCURITÉ POUR ENFANTS. Un symbole de verrou apparaîtra dans le coin inférieur gauche de l'afficheur de la télécommande lorsque la fonction « SÉCURITÉ POUR ENFANTS » est activée.

**8.3** En mode SÉCURITÉ POUR ENFANTS, la télécommande ne pourra pas faire fonctionner le récepteur jusqu'à ce que le commutateur soit remis à sa position initiale. Toutefois, le récepteur continuera à fonctionner en mode thermostatique lorsque verrouillé.

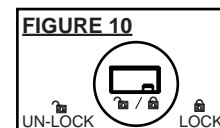


FIGURE 10

**OPÉRATION DE LA TÉLÉCOMMANDE F60**

L'utilisation de la télécommande universelle F60 a été approuvée pour la plupart des foyers, poêles et encastrés au gaz utilisant un système millivolt ou un système d'allumage électronique. La F60 est une télécommande contrôlée par thermostat qui possède un bouton marche/arrêt, qui affiche la température de la pièce/réglée et qui possède un indicateur de piles faibles et une fonction « sécurité pour enfants ». Ce système de télécommande est testé et certifié sécuritaire lorsqu'il est installé selon ces instructions.

**2. COMMUNICATION ENTRE LA TÉLÉCOMMANDE ET LE RÉCEPTEUR :**

**2.1** Installez 2 piles « AAA » dans le compartiment à piles de la télécommande. **FIGURE 11**

**2.2** Installez 4 piles « AA » dans le compartiment à piles du récepteur. **FIGURE 12**

**2.3** Placez le commutateur du récepteur à la position « REMOTE ». L'indicateur de piles faibles du récepteur clignotera et le récepteur émettra deux bips pour signaler qu'il est maintenant prêt à communiquer avec la télécommande.

**2.4** Pointez la télécommande en direction du récepteur et appuyez sur le bouton « ON » pendant 1 à 2 secondes afin d'obtenir le code préprogrammé. **Vous n'avez que 30 secondes après que le récepteur est à la position « REMOTE » pour capter un code, qui sera indiqué par trois bips, émis par le récepteur.**

**2.5** L'indicateur de piles faibles du récepteur clignotera et le récepteur émettra trois bips afin de confirmer la

synchronisation avec la télécommande. La télécommande devrait être entièrement fonctionnelle maintenant.

**2.6 DÉPANNAGE**

L'afficheur de la télécommande indique « ON », mais l'appareil ne fonctionne pas. Éteignez la télécommande en appuyant sur « OFF » et allumez-la de nouveau en appuyant sur « ON ». Le récepteur ne pourra pas capter le signal de la télécommande si le bouton « ON » est enfoncé trop rapidement. Le bouton de la télécommande doit être enfoncé pendant 1 à 2 secondes. Si la télécommande est encore incapable de communiquer avec le récepteur, rapprochez-la du récepteur pour assurer une communication ininterrompue.

**3. PILES :**

Les piles devraient être remplacées tous les six mois ou lorsque l'indicateur de piles faibles est allumé sur le récepteur ou l'afficheur de la télécommande. **N'utilisez que des piles alcalines.**

**3.1 POUR CHANGER LES PILES :**

**Récepteur :** placez l'interrupteur à « OFF ». Appuyez légèrement sur le compartiment à piles du récepteur, puis relâchez-le afin de permettre au compartiment à piles de sortir. Après avoir retiré les piles d'origine, attendez au moins une minute avant de mettre en place les nouvelles piles.

(Suivez les directives de programmation mentionnées précédemment) **FIGURE 12**

**Télécommande :** Appuyez légèrement sur le couvercle des piles et faites-le glisser depuis l'arrière de la télécommande. Après avoir retiré les piles d'origine, attendez au moins une minute avant de mettre en place les nouvelles piles. **FIGURE 11**

**3.2 EN CAS DE PANNE DE PILES :**

Si les piles du récepteur sont déchargées, l'appareil ne s'allumera ou ne s'éteindra plus, demeurant dans le mode de fonctionnement courant. Pour faire fonctionner l'appareil pendant une panne de piles, l'interrupteur situé sur le récepteur peut être activé pour faire fonctionner l'appareil. **(Section 1)**

**3.3** Si les piles de la télécommande deviennent déchargées et qu'il n'y a plus de communication avec le récepteur, un dispositif de sécurité éteindra l'appareil après 12 heures et celui-ci ne fonctionnera à nouveau que lorsque les piles seront remplacées.

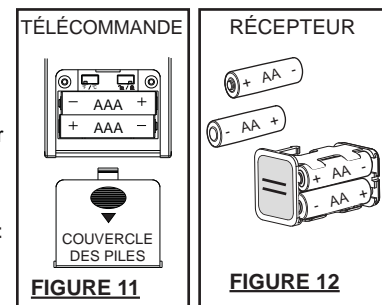


FIGURE 11

FIGURE 12



#### 4. OPÉRATION DE LA TÉLÉCOMMANDE :

L'interrupteur du récepteur doit être en position « **REMOTE** » pour que la télécommande fonctionne. Le système de télécommande fonctionne par radiofréquences qui sont envoyées par la télécommande au récepteur. Il est recommandé que la distance entre la télécommande et le récepteur n'excède jamais 20' et 10' si le récepteur est situé dans la cavité intérieure ou extérieure du foyer autour d'un encastré. Des piles faibles réduiront également la distance de fonctionnement.

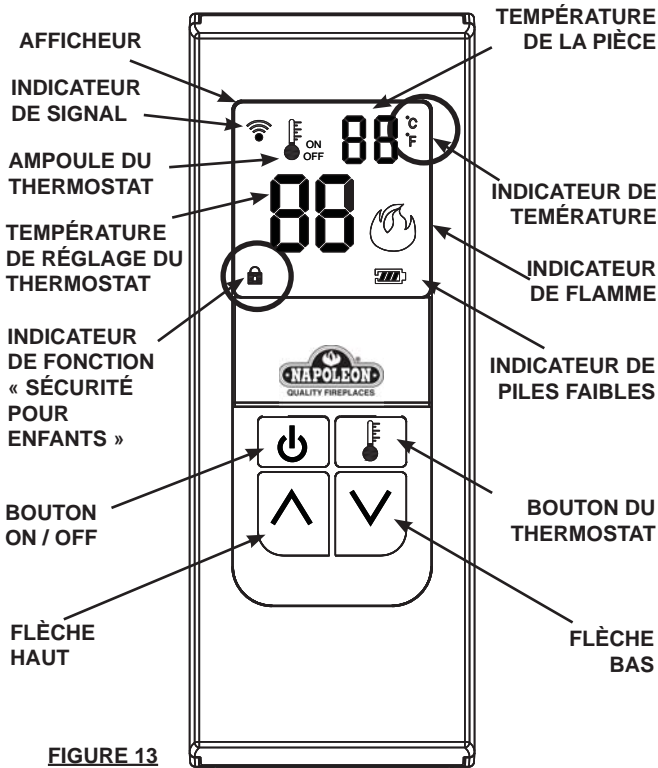


FIGURE 13  
F60

#### 5. FONCTION THERMOSTATIQUE :

Le contrôle thermostatique allume et éteint l'appareil automatiquement pour maintenir la pièce à la température désirée. Le contrôle thermostatique allume et éteint l'appareil automatiquement pour maintenir la pièce à la température désirée. En mode thermostat, il est important de ne pas placer la télécommande trop près ou trop loin de l'appareil en raison de la nature sensible des composants de surveillances de température dans la télécommande. Si la télécommande est trop près de l'appareil, l'appareil va s'allumer et s'éteindre fréquemment tandis que si la télécommande est trop loin de l'appareil, l'appareil pourrait rester allumé pendant de longues périodes. Pour allumer le brûleur de l'appareil, appuyez sur le bouton (ON/OFF) L'afficheur indiquera le mot « ON » et l'indicateur de flammes apparaîtra.

Le bouton (ON/OFF) est utilisé uniquement pour mettre en marche ou éteindre l'appareil. Il ne permet pas de régler la température. Le bouton (THERMOSTAT) est utilisé pour contrôler la température de la pièce. Lorsqu'il est enfoncé, le mot « ON » apparaît à côté de l'ampoule du thermostat située dans le coin supérieur gauche de l'afficheur.

Réglez la température désirée à l'aide des flèches (HAUT) and (BAS). Si la température de la pièce est inférieure ou supérieure à la température désirée, la télécommande mettra en marche ou éteindra le foyer automatiquement. Pour désactiver le mode thermostat, appuyez de nouveau sur le bouton (THERMOSTAT).

**NOTE :** Afin de réduire la consommation des piles, la prise de température s'effectue toutes les 60 secondes.

Lorsque les piles de la télécommande sont déchargées ou que la télécommande est éloignée de la proximité du foyer, la liaison de communication sera rompue. En mode thermostatique, si les piles de la télécommande ne sont pas remplacées ou que la télécommande n'est pas retournée à proximité du foyer, un dispositif de sécurité éteindra le foyer après 12 heures.

#### 6. DIFFÉRENTIEL DE TEMPÉRATURE EN MODE THERMOSTATIQUE

En mode thermostatique, la télécommande est configurée pour un différentiel de température de plus ou moins 1°. Ceci permet de diminuer le nombre de cycles de fonctionnement. Par exemple, si la température sur la télécommande est réglée à 20°, l'appareil fonctionnera jusqu'à ce que la température de la pièce atteigne 21° et demeurera ensuite hors fonction jusqu'à ce que la température de la pièce descende à 19°.

#### 7. FONCTION DE TEMPÉRATURE

Retirez le couvercle des piles au dos de la télécommande afin d'avoir accès à l'interrupteur °C/°F. Placez l'interrupteur au mode désiré. Le mode de température choisi apparaîtra dans le coin supérieur droit, à côté de la température de la pièce.

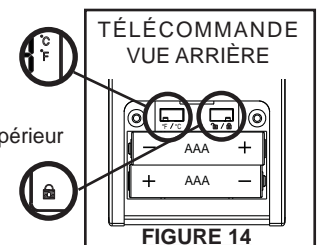


FIGURE 14

#### 8. FONCTION « SÉCURITÉ POUR ENFANTS » :

**8.1** Retirez le couvercle de la télécommande afin d'exposer le commutateur de SÉCURITÉ POUR ENFANTS.

**8.2** Glissez le commutateur de SÉCURITÉ POUR ENFANTS à la position

de verrouillage afin d'activer la fonction SÉCURITÉ POUR ENFANTS. Un symbole de verrou apparaîtra dans le coin inférieur gauche de l'afficheur de la télécommande lorsque la fonction « SÉCURITÉ POUR ENFANTS » est activée.

**8.3** En mode SÉCURITÉ POUR ENFANTS, la télécommande ne pourra pas faire fonctionner le récepteur jusqu'à ce que le commutateur soit remis à sa position initiale. Toutefois, le récepteur continuera à fonctionner en mode thermostatique lorsque verrouillé.

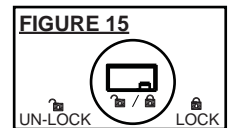


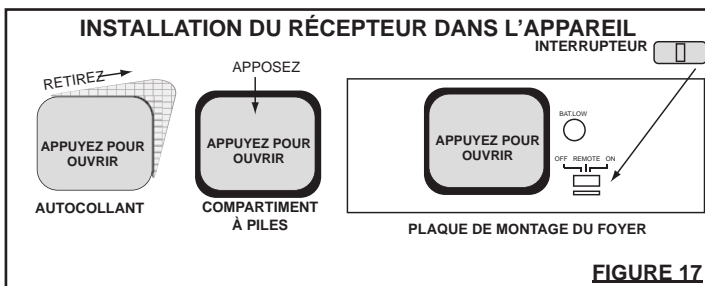
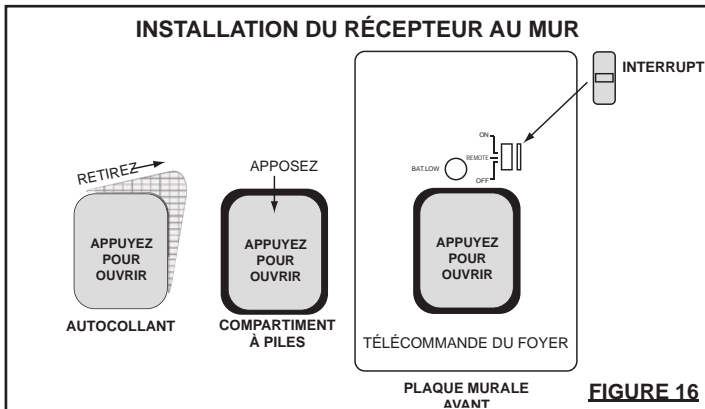
FIGURE 15

**9. FINITION :**

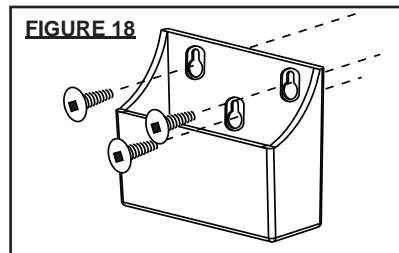
Suivez le diagramme approprié à l'installation de votre récepteur, soit aumur ou sur l'appareil.

Retirez le compartiment à piles du récepteur en appuyant et relâchant. Retirez le papier sous l'autocollant « APPUYEZ POUR OUVRIR » et apposez ce dernier sur le devant du compartiment à piles. Remplacez le compartiment à piles dans le récepteur.

Fixez l'interrupteur à l'horizontale pour la plaque de montage du foyer et à la verticale pour la plaque murale.



**10. INSTALLATION MURALE DE LA TÉLÉCOMMANDE :** (OPTIONNELLE) Fixez le support mural à l'endroit désiré à l'aide des vis et des chevilles d'ancrage si nécessaire. Si l'installation murale n'est pas souhaitée, le support mural peut être jeté. **FIGURE 18**



Pour voir la vidéo d'instructions sur les télécommandes, visitez notre site Web au [www.napoleonfireplaces.com](http://www.napoleonfireplaces.com).

Si votre télécommande Napoléon ne fonctionne pas adéquatement, ne la retournez pas chez le détaillant. Veuillez contacter le service technique au 1-877-753-6294 ou envoyez-nous à [care@napoleonproducts.com](mailto:care@napoleonproducts.com).

**! WARNING**

**RISQUE DE DOMMAGES MATÉRIELS**  
LA CHALEUR EXCESSIVE PEUT CAUSER DES DOMMAGES MATÉRIELS.

L'appareil peut demeurer activé pendant plusieurs heures. Assurez-vous d'éteindre l'appareil s'il n'est pas sous la surveillance d'un adulte.

**RISQUE D'INCENDIE PEUT CAUSER DE GRAVES BLESSURES OU LA MORT.**

Le récepteur permet d'allumer l'appareil. Ce dernier peut s'allumer subitement. Tenir éloigné du brûleur, surtout lors de l'utilisation avec l'interrupteur de secours.

Toute modification de quelque partie de ces ensembles annulera la garantie et pourrait provoquer des risques d'incendie.

La télécommande et le récepteur sont des appareils qui fonctionnent par radiofréquences. Si le récepteur est installé dans un boîtier métallique, de fortes diminutions des performances (réduction de la portée) peuvent en résulter. Lorsque le récepteur est situé à l'intérieur du caisson de l'appareil, il est conseillé que la télécommande soit située à une distance maximale de 10' pour assurer un fonctionnement adéquat.

La F60 ne devrait pas être laissée en marche sur la fonction thermostat lors d'absences prolongées ou utilisée comme principale source de chaleur. Si nécessaire, utilisez un thermostat mural.

**EXIGENCES DE LA FCC :****! WARNING**

Des changements ou modifications apportés à cet appareil, non expressément approuvés par le responsable de la conformité, pourraient entraîner la suppression du droit de l'utilisateur de faire fonctionner l'appareil.

**NOTE :** Cet appareil a été testé et répond aux normes limitatives établies pour un appareil numérique de Classe B, conformément à la Partie 15 du règlement de la FCC. Ces limites sont conçues pour assurer une protection raisonnable contre d'éventuelles interférences dangereuses dans une installation résidentielle. Cet appareil génère, utilise et peut émettre avec une certaine énergie des fréquences radio. S'il n'est pas installé et utilisé conformément aux instructions, il peut causer des interférences nuisibles aux communications radio. Cependant, il n'y a pas de garantie que des interférences ne puissent survenir dans une installation quelconque. Si cet appareil cause des interférences nuisibles à la réception de la télévision ou de la radio, ce qui peut être déterminé en éteignant et en allumant l'appareil, nous vous conseillons d'essayer de corriger le problème en suivant une ou plusieurs de ces mesures : Changez l'orientation ou déplacez l'antenne. - Augmentez la distance entre l'appareil et le récepteur. Consultez le détaillant ou un technicien expérimenté en radio/TV.

**EXIGENCES CANADIENNES POUR CES APPAREILS :**

Ces appareils numériques ne dépassent pas les normes limites applicables d'émission d'ondes radio (Classe A/ Classe B) pour les appareils numériques établies dans la réglementation sur les interférences radio émises par le Ministère des communications du Canada. Ces appareils sont conformes au RSS-210 d'Industrie et Science Canada. Leur fonctionnement est conditionnel à ce qui suit : (1) il ne doit pas causer d'interférences et (2) il doit accepter toute interférence y compris celles qui peuvent nuire à son fonctionnement.