

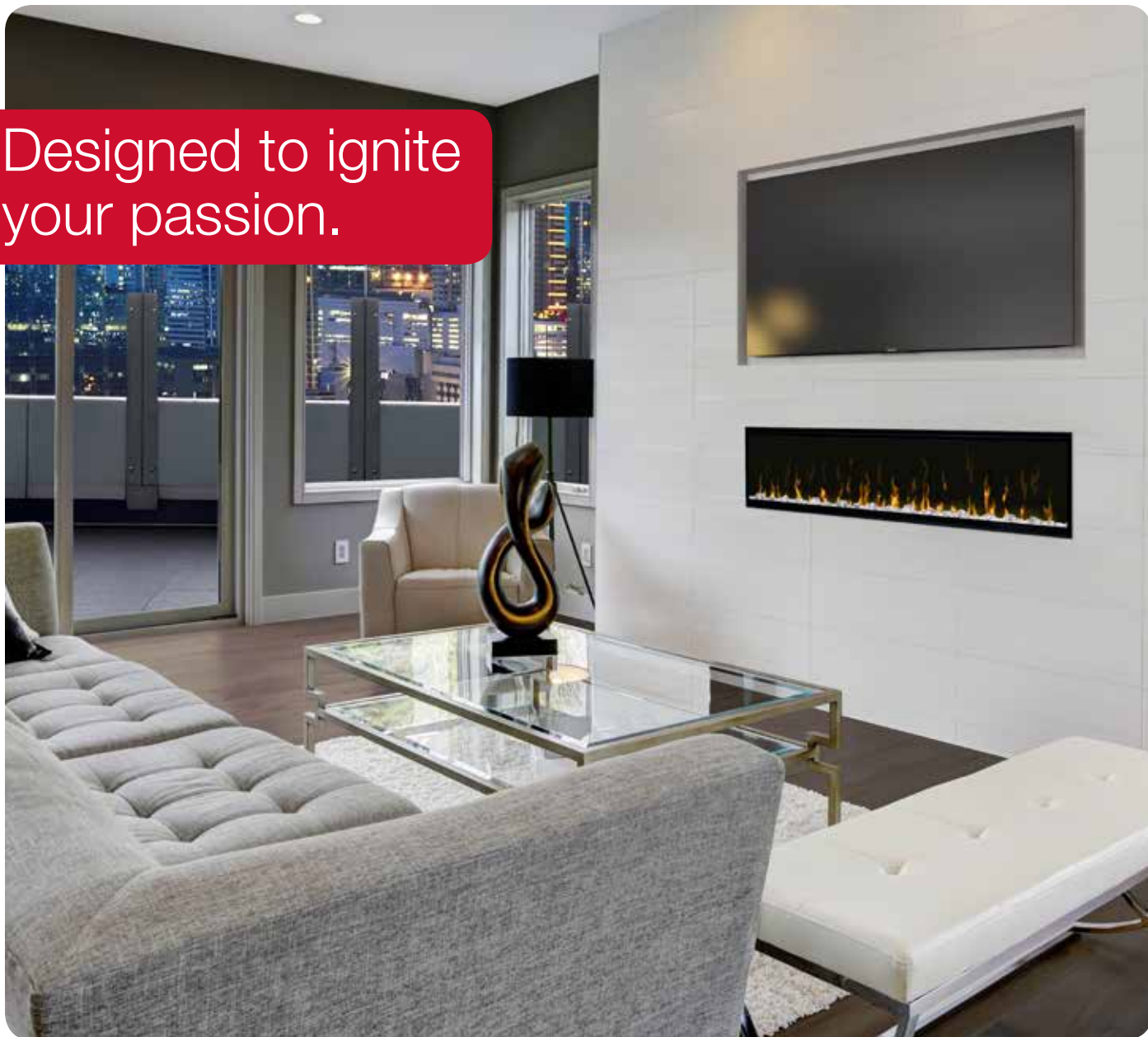


IgniteXL[®]

60" Linear Electric Fireplace

XLF60

Designed to ignite
your passion.



IgniteXL[®] stands apart as more lifelike and visually stunning than anything that came before it. With new, patented flame and heat technology, IgniteXL transforms the look and feel of any room. Installation is simpler and more flexible than ever, making the possibilities almost endless. Enjoy flawless panoramic views that ignite the senses from any angle.



IgniteXL®

60" Linear Electric Fireplace

XLF60



Features

Multi-Fire XD™ Flame Effect
Vivid flames that are brighter and more lifelike day or night.

Less Frame, More Flame
Clean front face with minimal trim and hardware covers to make the dazzling flames the focal point.

ComfortSaver™ Heating System
Safe ceramic heat, plus 11% energy savings, warms up to 1,000 sq. ft.

Heat Disable
Disable the heater operation using the remote control or electrically inside the unit.

Media Accent Colors
Choose from a variety of brilliant color themes or cycle through a range of colors using the custom mode, freezing on the hue of your choice.

Edgeless Design
Installs without trim to stone, brick and other solid finish materials; includes trim for drywall and tile surfaces.

Precision Thermostat
Electronic thermostat maintains room temperature within 1/2°C (1°F) for perfect comfort and increased energy efficiency.

Built-in Touch Controls
Settings and temperature display are hidden when not in use.

Heat Boost
Quickly warms a room by delivering maximum heat output for a pre-determined amount of time.

Mood-maker Remote
Customize the light color and intensity for a fireplace that reflects your personality.

Seamless Installation
Low-profile design fully recesses in 2" x 6" wall construction and 2" x 4" with optional trim.

Hardwire or Plug-in
Includes 120V plug-in cord kit or hardwire to 120V / 240V power supply.

Cool-touch Glass
Glass remains cool making it safe for children and pets in any location.

Color Themes



Accessories



74" Driftwood and River Rock Accessory Package (LF74DWS-KIT)



60" IgniteXL Trim Kit (XLFTRIM60)
Allows installation of IgniteXL in 2"x4" wall construction.
62-3/4" x 18-1/4" x 1-7/8"
(159.4 cm x 46.2 cm x 4.5 cm)

120 Volts | 1,500 Watts | 5,718 BTU

240 Volts | 2,500 Watts | 8,530 BTU

Model #	Description	Lbs / Kg	UPC	Wty.†	Carton Dimensions (WxHxD)		Cube	
					Inches	cm	ft³	m³
XLF60	60" IgniteXL Linear Electric Fireplace	86.79 / 39.37	781052 118478	2 yr.	68-3/8 x 24-1/4 x 15	173.7 x 61.6 x 38.1	14.4	0.4
LF74DWS-KIT	74" Driftwood and River Rock Accessory Kit	9.8 / 4.44	781052 102859		34-1/4 x 7-1/8 x 8-1/8	87.2 x 18.03 x 20.57	1.12	0.03
XLFTRIM60	60" IgniteXL Linear Electric Fireplace Trim Kit	8.85 / 4.01	781052 120075	1 yr	66-3/4 x 3-5/8 x 6-7/8	169.4 x 9.3 x 17.5	0.97	0.03

Specifications, finishes and dimensions are subject to change. †Limited warranty. ©2019 Glen Dimplex Americas

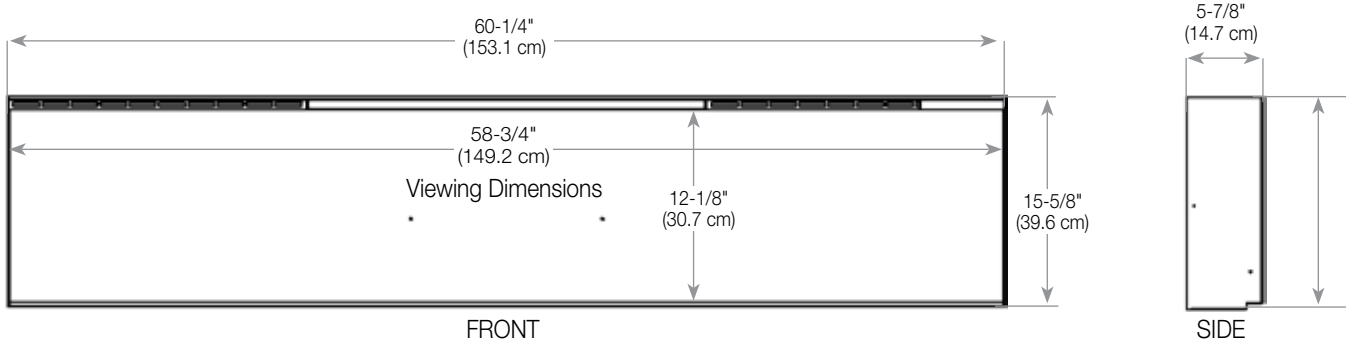
SE-337-R01-050919

IgniteXL®

60" Linear Electric Fireplace

XLF60

Product Dimensions:

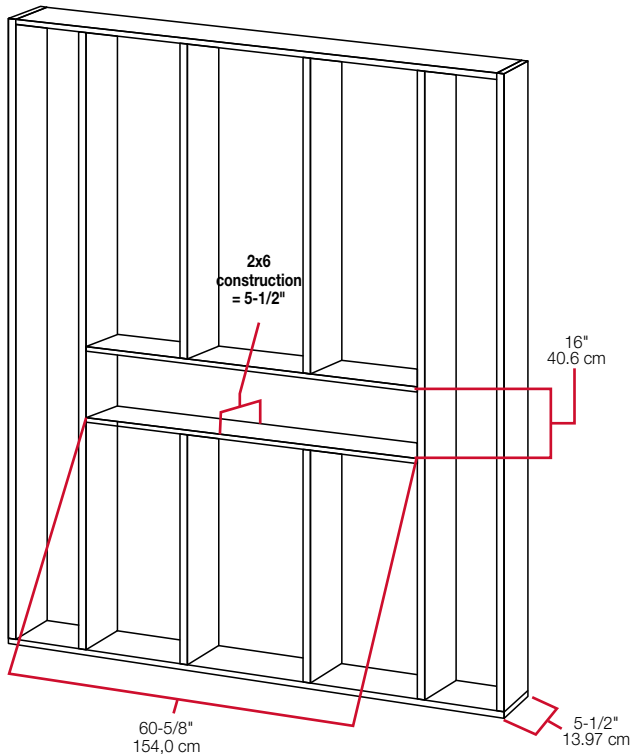


Framing Dimensions

NOTE: The bottom sill needs to be a minimum of 3-1/2" (8.9 cm) deep. The sill can be constructed to support the front of the unit to allow the power supply wires to easily be run behind or flush with the back of the unit and a pass through hole drilled for electrical wire routing.

It is recommended that the bottom of the unit be mounted between 30" (76.2 cm) and 40" (102 cm) from the ground to maintain an optimized viewing angle of the flame.

2x6 framing



2x4 framing

