

Superior
FIREPLACES®
Our name is our promise.



The VRL3000 Series linear vent-free gas fireplace offers a sleek opening that provides an exceptional view of the gently dancing flames and floor lighting that allows you to customize the mood. Its modern, low profile design is just right for contemporary and transitional spaces. The VRL3000 comes complete with a multi-function remote for the ultimate in convenience and control.



FEATURED VRL3045 shown with platinum crushed glass media and optional black porcelain liner

STANDARD FEATURES

- 🔥 Available in a 45" and 55" linear configured models
- 🔥 HeatFlo™ kit or variable speed blower options available to fine tune your heating needs*
- 🔥 Electronic ignition with battery backup provides continued operation in the event of a power outage
- 🔥 99.9% efficient for exceptional heating and lower operating costs
- 🔥 Decorative surrounds available to complement drywall finished applications
- 🔥 Standard black bezel and barrier screen
- 🔥 Black painted interior standard (optional porcelain liner available)
- 🔥 Platinum crushed glass media included with several optional colors available to customize the look
- 🔥 Optional driftwood logs and river rocks are a perfect addition for a transitional design
- 🔥 Mood enhancing floor lighting with six distinctive settings
- 🔥 Multi-function remote included (IPI/CPI, thermostat, flame height, blower, lighting)
- 🔥 20 year limited warranty

* HeatFlo Kit and Blower Kit options may not be installed in the same appliance

INTERIOR

Liner



Black Painted Interior Liner (Standard)



Black Porcelain Liner (Optional)

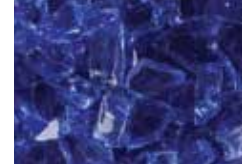
Media



Platinum Crushed Glass (Standard)



Reflective Black Crushed Glass



Reflective Blue Crushed Glass



High-Definition Driftwood Log Set for 55" Models



High-Definition Driftwood Log Set for 45" Models



River Rock Assorted Set

DECORATIVE SURROUNDS



Black Surround



Stainless Surround

REMOTE



ProFlame II Remote

- Manual On/Off and Thermostat Modes
- 6 Flame Height Settings
- 6 Interior Light Settings

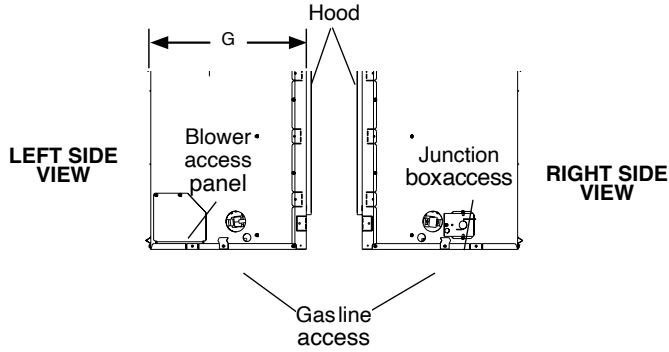
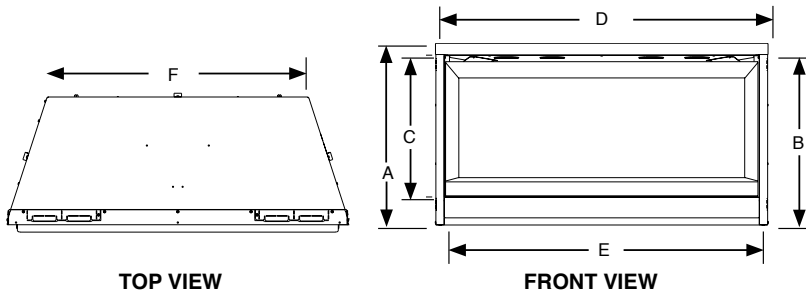
HEATFLO KIT

Protect heat sensitive televisions, artwork and other decorative wall materials. No blower required, the HeatFlo kit works through natural convection to redirect heat from the fireplace upward through hidden ductwork and out through a sleek horizontal vent. Walls stay cooler and heat flows more evenly through the room for a comfortable fireplace experience.

- TV & Artwork can be placed above the fireplace
- Helps protect heat sensitive wall facing materials
- Improves convective heat circulation in the room
- No electricity or blower required for operation



APPLIANCE SPECIFICATIONS



VRL3000

MODEL	A	B	C	D	E	F	G
45" MODELS	24-3/4"	23-1/4"	19-3/8"	45-1/2"	42-7/8"	34-3/4"	17"
55" MODELS	24-3/4"	23-1/4"	19-3/8"	55-1/2"	52-7/8"	44-3/4"	17"

FIREPLACE BTU OPERATING RANGE

MODEL	FUEL	BTU/HR	AFUE
VRL3045	NG	23,000-18,000	99.9%
VRL3045	LP	21,000-17,000	99.9%
VRL3055	NG	28,000-22,000	99.9%
VRL3055	LP	27,000-21,000	99.9%

IMPORTANT NOTES:

As with any fireplace, this appliance is extremely hot during operation. Read and understand all operating instructions before using this appliance. For further information, consult your dealer. Local conditions, such as elevation and choice of fuel will affect overall appearance of the fire and heating performance. Performance can also vary with home design and insulation, ceiling height, accessories chosen and appliance location. Diagrams, illustrations and photographs are not to scale — consult installation instructions. Product designs, materials, dimensions, specifications, colors and prices are subject to change or discontinuance without notice.

On the Cover: VRL3055 fireplace with platinum crushed glass media, optional black porcelain liner, optional driftwood logs, and optional river rocks

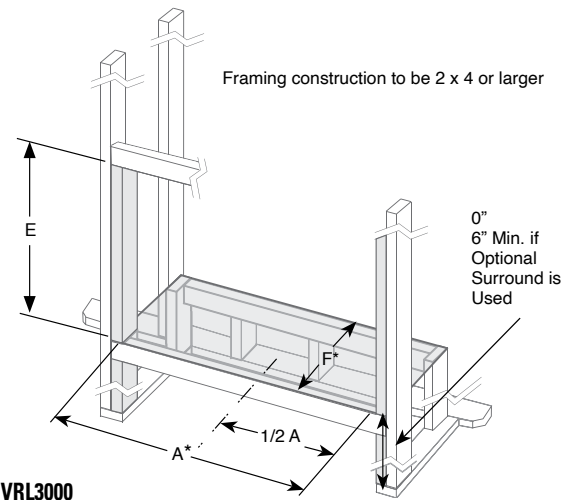


© 2021 Innovative Hearth Products
785743M 06/21

Visit us online
SuperiorFireplaces.us.com

FRAMING SPECIFICATIONS

(Standard Installation)



VRL3000

MODEL	A*	B	C	D	E	F*
45" MODELS	45-7/8"	70-3/8"	49-3/4"	35-1/4"	29"	18"
55" MODELS	55-7/8"	82-3/4"	58-1/2"	41-3/8"	29"	18"

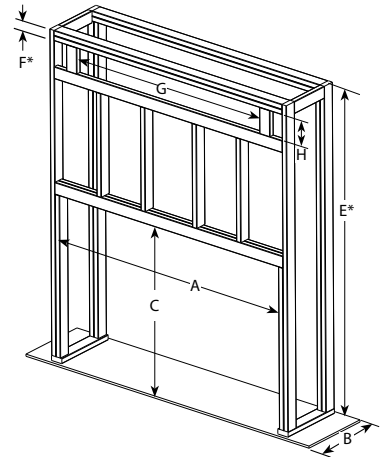
A* Minimum opening size: addition 1/8" per side is recommended
F* For flush framing installations.

NOTE: If flush framing unit, field supplied non-combustible board will need to be used.

VRL3000

	45" One Sided Framing HeatFlo Kit	55" One Sided Framing HeatFlo Kit
A	45-7/8"	55-7/8"
B	18"	18"
C	29"	29"
E*	81-1/2"	81-1/2"
F*	3-1/2"	3-1/2"
G	43-1/2"	53-1/2"
H	5-1/8"	5-1/8"

Flush Wall Framing With HeatFlo™ Kit



E* = Minimum height from appliance base to ceiling
F* = Minimum distance from framed opening to ceiling

Refer to Spec Sheet for complete recessed wall pocket applications and instructions.



Report #F21-664