



INSTRUCTIONS FOR MODEL: WL15/20 INFRARED IP66 HEATER

IMPORTANT: PLEASE READ THESE ASSEMBLY & OPERATING INSTRUCTIONS CAREFULLY BEFORE INSTALLATION.
LEAVE A COPY FOR THE USER / MAINTENANCE ENGINEER FOR FUTURE REFERENCE.

1. ELECTRICAL SAFETY

WARNING! It's the responsibility of the owner and the operator to read, understand and comply with the following: You must check all electrical products before use, to ensure that they are safe. You must inspect power cables, plugs, sockets and any other connectors for wear or damage. You must ensure that the risk of electric shock is minimized by the installation of appropriate safety devices. A Residual Current Circuit Breaker (RCCB) should be incorporated in the main distribution board. If in any doubt consult a qualified electrician. You must also read and understand the following instructions concerning electrical safety.

- The Health & Safety at Work Act 1974 makes owners of electrical appliances responsible for the safe condition of those appliances and the safety of the appliance operators. If in any doubt about electrical safety, contact a qualified electrician.
- Ensure that the insulation of all the cables on the appliance is undamaged and safe, before connecting it to the power supply.
- Ensure that the cables are always protected against short circuit and overload.
- Regularly inspect the power supply cables and plugs etc. for wear or damage and check all connections to ensure that none are loose.
- Important: Ensure that the voltage marked on the appliance matches the power supply to be used and that a correctly rated fuse is fitted.
- DO NOT pull or carry the appliance by the power cable.
- DO NOT use worn or damaged cables, plugs or connectors. Immediately have any faulty item repaired or replaced by a qualified electrician.
- Installation should always be carried out by a qualified electrician or a competent person in accordance with current electrical regulation
- The unit should be protected by a suitably rated isolator and fuse or type 3 (also known as type C) mcb. An inrush current (initial current through the filament) can be expected at switch on. This current can be as high as 12 times the normal operating current, lasting around 20 milliseconds. This effect can also vary depending on temperature. In extreme cases, a type D breaker may be required.
- This heater is IP66 rated and is suitable for outdoor use. To maintain the protection rating all connections to the mains must be done with a minimum of IP66 equipment.
- The mains lead is made from high temperature cable, not a standard PVC cable and as such should not be replaced without consulting a suitable qualified electrician.
- Ensure that the mounting bracket is adequately earthed.
- Use of an extension cord is not recommended.

2. GENERAL SAFETY

- Remove all packaging and store it away from children, check the package and heater for visible damage or tampering.
- Familiarize yourself with the applications and limitations of the heater.
- Ensure the heater is in good order and condition both physically and electrically before use. If in any doubt, do not use the unit and contact an electrician.
- Only use recommended attachments and parts. To use unauthorized parts may be dangerous and will invalidate your warranty.
- Check that the lamp guard is in place, undamaged and firmly attached.
- Keep tools and other items away from the heater when it is in use.
- Keep the work area clean and clear of unnecessary items.
- Keep children and unauthorized persons away from the heater, as it gets very hot.
- Disconnect from mains and allow to cool before moving or attempting any cleaning or maintenance.
- DO NOT use in areas where hazardous vapors may be present.
- DO NOT subject the heater to prolonged exposure to water. The product is IP66 rated.
- DO NOT locate the heater below the power outlet.
- DO NOT move the heater whilst in operation or even when still warm.
- DO NOT touch the heater lamp, even when cold.
- DO NOT disassemble the heater for any reason. This heater must be checked by qualified personnel only.
- DO NOT use this heater to perform a task for which it has not been designed.

WARNING! If a fuse blows, ensure it is replaced with an identical fuse type and rating. If removed from its mounting position when not in use, store the heater carefully in a safe, dry, child proof location.

WARNING! Never touch the lamp directly with your fingers. Use a soft cloth otherwise the tube may get damaged.

WARNING! This heater is not equipped with a device to control the room temperature. Do not use this heater in a small room if it is occupied by people not capable of leaving the room on their own, unless constant supervision is provided.

WARNING! Ensure the heater is at least 1m from any object and there is no possibility of inflammable materials coming into contact.

3. INTRODUCTION & SPECIFICATION

This heater produces a totally dry heat, no condensation, no gas, no fumes and no smell. It reaches maximum heat output within seconds of being turned on and has a highly polished aluminum reflector for maximum heat efficiency. It adjusts horizontally through 90° while mounted. And is Ideal for industrial or domestic applications, IP66 rated.

Model	WL15-LV Series	WL15-HV Series	WL 20 Series
Power	1500W	1500W	2000W
Input supply	120V 60Hz 12.5A	230V 60Hz 6.5A	230V 60Hz 8.7A
Dimensions (W x H x D)	480 x 125 x 125mm	480 x 125 x 125mm	480 x 125 x 125mm
Mounting Bracket Stand	45mm	45mm	45mm

4. MOUNTING INSTALLATION

WALL MOUNTING (fig.1)

IMPORTANT! The following points should be noted: *The heater should always have a minimum clearance of 500mm from a ceiling and at least 1000mm from any object.*

IMPORTANT! Ensure that the mounting surface is capable of supporting the weight of the heater.

IMPORTANT! The heater should be mounted horizontally where possible or at a maximum angle of 35 degrees from the horizontal. **IMPORTANT!** The mounting bracket must be sufficiently earthed. Remove the wall mounting bracket from the heater by removing the two bolts from either end of the bracket.

Before drilling, ensure that there are no wires or water pipes in the area where the heater is to be placed.

Use the bracket as a template. Fix the metal bracket to the wall by means of the three holes and appropriate fixings (not supplied). Refit the heater back onto the bracket and secure with the two bolts.

Adjust the angle of heater to direct heat where required, between 45° and 90° (see fig.1).

PARASOL MOUNTING

Ensure the heater is at least 500mm away from the canvas or material of the parasol.

Bolt the supplied parasol clamp to the wall mounting bracket on the back of the heater. Bolt to one of the outer bracket holes so the parasol bracket will be central to the main bracket.

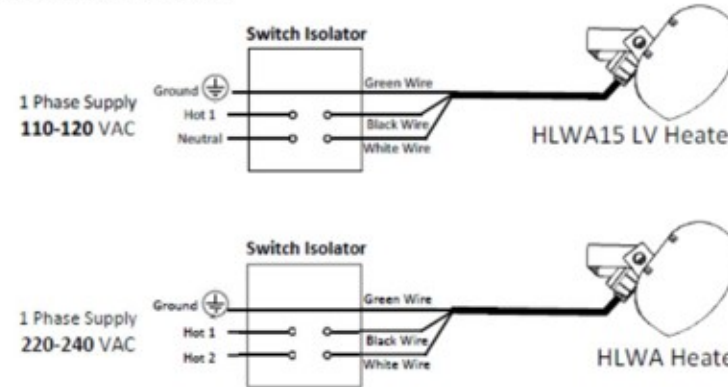
Elevate the heater up to the correct height and tighten the parasol clamp around the parasol arm and secure in place.

IMPORTANT! The Mains Cable must not touch or lie on the back of the heater.

IMPORTANT! The mounting bracket must be sufficiently earthed.

5. ELECTRICAL CONNECTION

Please make sure you have read the Safety instructions and you are a suitably qualified electrician before continuing.



Connecting to a Plug – 120V Version Only (US/Canada)

The 120V versions come pre-wire with a molded plug fitted. However, if replacing this plug:

- Connect the GREEN wire to the plugs' Ground terminal.
- Connect the BLACK wire to the plugs' Hot terminal.
- Connect the WHITE wire to the plugs' Neutral terminal.
- After wiring, check that there are no bare wires, that all wires have been correctly connected, that the cable outer insulation extends beyond the cable restraint and that the restraint is tight. **Connection to a Switched Isolator – see diagram above:**

- Connect the GREEN wire to the Ground connection.
- Connect the BLACK wire to the Hot connection.
- For the 120V Heater version, connect the WHITE wire to the Neutral connection. For the 240V Heater version, connect the WHITE wire to the Hot 2 connection.

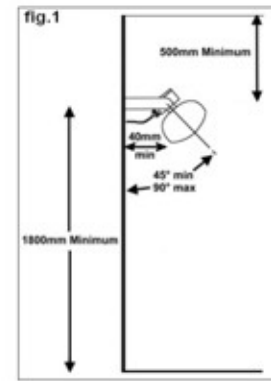
d) After wiring, check that there are no bare wires, that all wires have been correctly connected, that the cable outer insulation extends beyond the cable restraints and that the restraint is tight.

6. OPERATION

Note: The infrared lamp in this heater is fragile as such it is important that it is not subjected to any unnecessary shocks or vibration and is not moved when it is in use. Wait till the heater has cooled down before moving.

WARNING! Ensure you read, understand and apply the safety instructions in Section 1 before using the heater.

- Ensure the heater is at least 1000mm from any object. The heater can be tilted from 45° to 90° set it to the required angle before switching the heater on. Adjust the heater angle by loosening the two bolts on the wall-mounting bracket. Tighten the bolts again when the desired angle is reached.



- Ensure that the mains supply is adequately protected and that the mounting bracket is earthed, then switch on.
- Make sure the heater is disconnected from the mains supply before any cleaning is attempted. Also allow the heater to cool completely.
- When the heater is no longer required, switch off and if possible unplug the unit.

Clean the exterior with a soft damp cloth.

To replace the lamp, contact your authorized dealer.

The mains lead is made from high temperature cable, not a standard PVC cable and as such should not be replaced without consulting a suitably qualified electrician.

7. MAINTENANCE

Note: Before examining or carrying out any maintenance ensure the heater has cooled down and is disconnected from the mains supply.

The heater contains no moving parts and therefore very little maintenance is required other than to ensure that there is no excessive build-up of dust/dirt on the reflectors or emitters as this can cause overheating and premature emitter failure.

To clean the appliance, turn off and disconnect from mains supply. Allow to cool, then wipe with a damp cloth.

8. LAMP

REPLACEMENT

Note: Before examining or carrying out any maintenance ensure the heater has cooled down and is disconnected from the mains supply.

The lamp used in the fitting is robust and if knocks and shock vibrations are avoided, will last for around 5000 hours.

TO REPLACE THE LAMP

- Disconnect the heater from the power supply by unplugging from the mains socket and wait until the body has cooled down.
- Remove both end caps by undoing the 2 socket head screws at each end.
- Remove the guard and lift out the end reflectors.
- Unclip the lamp from the spring clips at each end, allowing the lamp to move forward clear of the back reflector.
- Unclip the reflector from the heater casing.
- Disconnect the lamp wires from the terminals located in the electrical box on the rear of the heater, and then remove the lamp.
- Insert the wires of the new lamp through the holes in the heater body to the electrical box and reconnect them into the terminals. Ensure that the terminals are tightened correctly to make a good electrical connection.
- Re-assemble making sure all the parts are replaced and the guard is in position.

WARNING! Failure to reassemble all the parts and use the guard will invalidate any remaining guarantee and may make the unit dangerous.

SPARES

Note: Spare are available from your distributor.

Heater Model	WL15-LV Series	WL15	WL15B	WL15S
Lamp Code	64121572	64241525	64241525	64241525

Heater Model	WL15G	WL15BG	WL20BG
Lamp Code	64231570	64231570	64242073



This product conforms to EU Directive 2002/96/EC. This appliance bears the symbol of the crossed waste bin. This indicates that, at the end of its useful life, it must not be disposed of as domestic waste, but must be taken to a collection center for waste electrical and electronic equipment. It is the user's responsibility to dispose of this appliance through the appropriate channels at the end of its useful life. Failure to do so may incur the penalties established by laws governing waste disposal.

NOTE: It is our policy to continually improve products and as such we reserve the right to alter data, specifications and component parts without prior notice. **IMPORTANT:** No liability is accepted for incorrect use of this product. **WARRANTY:** Guarantee is 12 months from purchase date, proof of which will be required for any claim.

NOTE: It is our policy to continually improve products and as such we reserve the right to alter data, specifications and component parts without prior notice. **IMPORTANT:** No liability is accepted for incorrect use of this product. **WARRANTY:** Guarantee is 12 months from purchase date, proof of which will be required for any claim.

NOTE: It is our policy to continually improve products and as such we reserve the right to alter data, specifications and component parts without prior notice. **IMPORTANT:** No liability is accepted for incorrect use of this product. **WARRANTY:** Guarantee is 12 months from purchase date, proof of which will be required for any claim.

HeatLight Technology
Unit 3, Southfields Road, Dunstable, Central Bedfordshire,
LU6 3EJ UK
Tel: +44 (0) 1582 672691 Fax: +44 (0) 1727 834676

EC DECLARATION OF CONFORMITY
Models: WL10, WL15, WL20 Ranges
Short wave IP66 Infrared Fixed Heating Appliances
The above models have been manufactured in accordance with the following Directives

93/68/EEC CE Marking Directive 2004/108/EC EMC Directive	2006/95/EC Low Voltage Directive 2002/96/EC
---	--

And the following harmonized standards

BS EN 60335-1:2002	BS EN 60335-2-
30:2009 BS EN 55014-1:2006 + A1:	BS EN 61000-

Signed: *Alan Penman*
Name: Alan Penman
Position: Managing Director
Date: 5th September