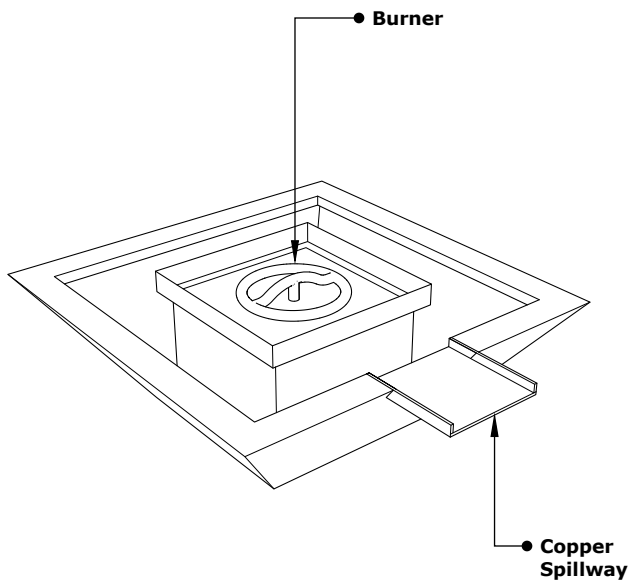
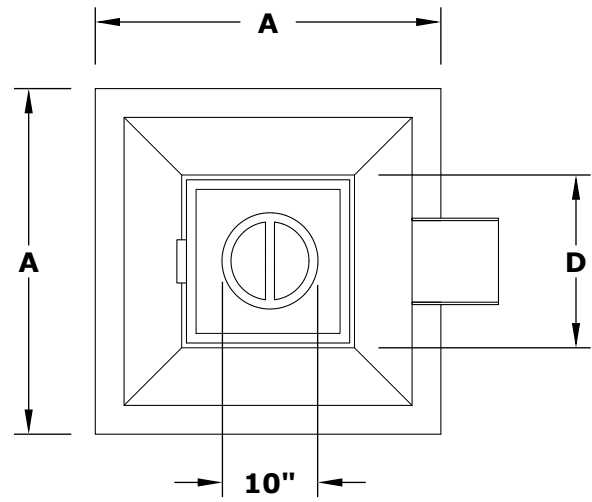


# MAYA FIRE & WATER BOWL - GRAVITY SPILL

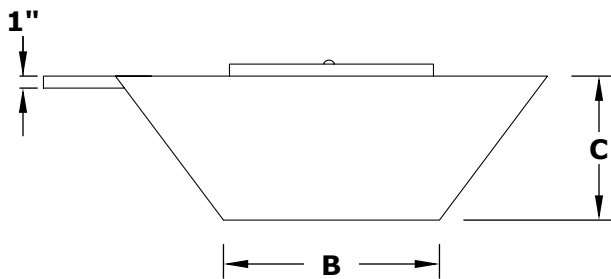
Hammered Copper



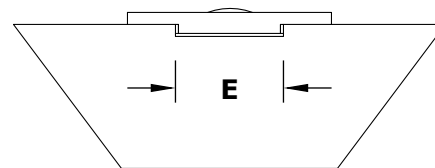
**ISOMETRIC VIEW**



**TOP VIEW**



**RIGHT SIDE VIEW**



**FRONT SIDE VIEW**

PART NUMBER	A	B	C	D	E	GPM	BTU
OPT-SQ30FANDW	30"	15"	10"	15"	8"	15	65,000
OPT-SQ30FANDWE12V	30"	15"	10"	15"	8"	15	65,000
OPT-SQ36FANDW	36"	18"	12"	18"	10"	15	65,000
OPT-SQ36FANDWE12V	36"	18"	12"	18"	10"	15	65,000

Bowl Material: Copper  
 Pan Material: 304 Stainless Steel  
 Burner Material: 304 Stainless Steel  
 Standard 2" Depth on all pans

**12V ELECTRONIC IGNITION**  
 ANSI Z21.97-(2017) / CSA 2.41-(2017)



Match Lit Unit Includes: Pan, Burner, Gas Orifice, Gas Hoses, Key Valve, Key,  
 12v Ignition Unit Includes: Pan, Burner, Gas Orifice, Gas Hoses, Key Valve, Key, Plug & Play Electronic Valve, Pilot Igniter.