



Installation and Operation Instructions Vented Gas Log and Burner Set

P/N 900464-01 Rev. C 11/2019



Models

| | | | |
|----------|----------|----------|----------|
| MNF240NE | MNF240PE | MNF300NE | MNF300PE |
|----------|----------|----------|----------|

For use with log sets

| | |
|------------|------------|
| LMF24GTA/B | LMF24MOA/B |
| LMF30GTA/B | LMF30MOA/B |
| LMF36GTA/B | LMF36MOA/B |

INSTALLER: Leave this manual with the appliance.

CONSUMER: Retain this manual for future reference.

WHEN USED AS AN OUTDOOR APPLIANCE



CARBON MONOXIDE WARNING

- This appliance can produce carbon monoxide which has no odor.
- Using it in an enclosed space can kill you.
- Never use this appliance in an enclosed space such as a camper, tent, car or home.

⚠ DANGER

FIRE OR EXPLOSION HAZARD

If you smell gas:

- Shut off gas to the appliance.
- Extinguish any open flame.
- If odor continues, leave the area immediately.
- After leaving the area, call your gas supplier or fire department.

Failure to follow these instructions could result in fire or explosion, which could cause property damage, personal injury, or death.

⚠ WARNING: For Outdoor Use Only.

Installation and service must be performed by a qualified installer, service agency, or the gas supplier.

⚠ **WARNING:** Do not store gasoline or other flammable vapors and liquids in the vicinity of this or any other appliance. An LP-cylinder not connected for use shall not be stored in the vicinity of this or any other appliance.

⚠ **WARNING:** If the information in this manual is not followed exactly, a fire or explosion may result causing property damage, personal injury, or loss of life

WHEN USED AS INDOOR VENTED APPLIANCE

⚠ WARNING:

FIRE OR EXPLOSION HAZARD

Failure to follow safety warnings exactly could result in serious injury, death, or property damage.

- Do not store or use gasoline or other flammable vapors and liquids in the vicinity of this or any other appliance.
- **WHAT TO DO IF YOU SMELL GAS**
 - Do not try to light any appliance.
 - Do not touch any electrical switch; do not use any phone in your building.
 - Leave the building immediately.
 - Immediately call your gas supplier from a neighbor's phone. Follow the gas supplier's instructions.
 - If you cannot reach your gas supplier, call the fire department.
- Installation and service must be performed by a qualified installer, service agency or the gas supplier.

Thank you for your purchase. We appreciate your business!

Please carefully read and follow all instructions in this manual. **Pay special attention to all warnings and safety information.**

Following these safety, care, and operation instructions will help ensure many years of dependable and enjoyable service from your fireplace.

Please read and understand these instructions before installing or operating.



We recommend that our gas hearth products be installed and serviced by professionals who are certified in the U.S. by the National Fireplace Institute® (NFI) as NFI Gas Specialists.

TABLE OF CONTENTS

| | |
|--------------------------------|----|
| Safety..... | 2 |
| Product Identification..... | 4 |
| Local Codes | 4 |
| Unpacking..... | 5 |
| Product Features..... | 5 |
| Installation | 5 |
| Operation | 15 |
| Inspecting Burners..... | 16 |
| Cleaning and Maintenance | 17 |
| Specifications..... | 17 |
| Wiring Diagram..... | 18 |
| Troubleshooting..... | 19 |
| Replacement Parts..... | 22 |
| Service Hints..... | 22 |
| Technical Service | 22 |
| Accessories..... | 22 |
| Parts | 23 |
| Warranty | 28 |

SAFETY

⚠ WARNING: Improper installation, adjustment, alteration, service or maintenance can cause property damage, personal injury or loss of life. Refer to this manual for correct installation and operational procedures. For assistance or additional information consult a qualified installer, service agency or the gas supplier.

⚠ WARNING: This appliance is for installation only in a solid-fuel-burning masonry or UL127 factory-built fireplace or in a listed outdoor fireplace. Do not install this appliance in an unvented fireplace indoors.

⚠ WARNING: This product can expose you to chemicals including Carbon Black, which is known to the State of California to cause cancer, and Carbon Monoxide, which is known to the State of California to cause birth defects or other reproductive harm. For more information go to www.P65Warnings.ca.gov.

IMPORTANT: Read this owner's manual carefully and completely before trying to assemble, operate or service this appliance. Improper use of this fireplace can cause serious injury or death from burns, fire, explosion, electrical shock and carbon monoxide poisoning.

⚠ DANGER: Carbon monoxide poisoning may lead to death!

This appliance may be installed in an aftermarket,* permanently located, manufactured (mobile) home, where not prohibited by local codes.

This appliance is only for use with the type of gas indicated on the rating plate. This appliance is not convertible for use with other gases.

* Aftermarket: Completion of sale, not for purpose of resale, from the manufacturer

Carbon Monoxide Poisoning: Early signs of carbon monoxide poisoning resemble the flu, with headaches, dizziness or nausea. If you have these signs, the fireplace may not be working properly. **Get fresh air at once!** Have heater serviced. Some people are more affected by carbon monoxide than others. These include pregnant women, people with heart or lung disease or anemia, those under the influence of alcohol and those at high altitudes.

Natural and Propane/LP Gas: Natural and propane/LP gases are odorless. An odor-making agent is added to the gas. The odor helps you detect a gas leak. However, the odor added to the gas can fade. Gas may be present even though no odor exists.

Make certain you read and understand all warnings. Keep this manual for reference. It is your guide to safe and proper operation of this fireplace.

⚠ WARNING: Any change to this appliance or its controls can be dangerous.

Due to high temperatures, the appliance should be located out of traffic and away from furniture and draperies.

Clothing or other flammable materials should not be hung from the appliance or placed on or near the appliance. Never place any objects on the fireplace.

SAFETY *Continued*

⚠ WARNING: Vent-free products are prohibited for bedroom and bathroom installation in the Commonwealth of Massachusetts.

⚠ WARNING: Fireplace must be operated only with doors fully open.

⚠ WARNING: Do not place log scraps or volcanic stone on burner.

Children and adults should be alerted to the hazards of high surface temperatures and should stay away to avoid burns or clothing ignition. Appliance will remain hot for a time after shutdown. Allow surfaces to cool before touching.

⚠ WARNING: Young children should be carefully supervised when they are in the area of the appliance. Toddlers, young children and others may be susceptible to accidental burns. A physical barrier is recommended if there are at-risk individuals in the house. To restrict access to a fireplace or stove, install an adjustable safety gate to keep toddlers, young children and other at-risk individuals out of the room and away from hot surfaces.

Carefully supervise young children when they are in the room with fireplace. When using the remote control, keep selector switch in the OFF position to prevent children from turning on burners with remote.

Keep the appliance area clear and free from combustible materials, gasoline and other flammable vapors and liquids.

Installation and repair should be done by a qualified service person. The appliance should be inspected before use and at least annually by a qualified service person. More frequent cleaning may be required as necessary. It is imperative that the control compartment, burners, and circulating air passageways of the appliance are kept clean.

Appliance base assembly becomes very hot when running appliance.

You must operate this appliance with the fireplace screen and hood in place. Make sure fireplace screen and hood are in place before running appliance. The fireplace screen shall have openings for introduction of combustion air.

If used with MFEB accessory ember burner, this appliance shall only be installed in a wood burning fireplace.

⚠ WARNING: This appliance shall not be installed in a room or space unless the required volume of indoor combustion air is provided by the method described in the National Fuel Gas Code, ANSI Z223.1/NFPA 54, the International Fuel Gas Code.

Any part removed for servicing the appliance must be replaced prior to operating the appliance.

When installing as a vented appliance in a manufactured home or mobile home, the installation must conform with the Manufactured Home Construction and Safety Standard, Title 24 CFR, Part 3280 or when standard is not applicable, with *Manufacture Home Installations Standard, ANSI/NCSBCS A225.1/NFPZ 501A*.

1. WARNING: This appliance is only for use with the type of gas indicated on the rating plate. This appliance is not convertible for use with other gases.

- Do not place propane/LP supply tank(s) inside any structure. Locate propane/LP supply tank(s) outdoors (propane/LP units only).
- If you smell gas
 - shut off gas supply
 - do not try to light any appliance
 - do not touch any electrical switch; do not use any phone in your building
 - leave the building immediately
 - immediately call your gas supplier from a neighbor's phone. Follow the gas supplier's instructions
 - if you cannot reach your gas supplier, call the fire department
- This appliance shall not be installed in a bedroom or bathroom, unless installed as a vented appliance. See *Installing Damper Clamp Accessory for Vented Operation, Page 7*. This gas log set may not be installed as a vented appliance in a bedroom or bathroom in the Commonwealth of Massachusetts.
- Before installing in a solid fuel-burning fireplace, the chimney flue and firebox must be cleaned of soot, creosote, ashes and loose paint by a qualified chimney cleaner. Creosote will ignite if highly heated. A dirty chimney flue may create and distribute soot within the house. Inspect chimney flue for damage. If damaged, repair flue and firebox before operating appliance.

SAFETY *Continued*

6. If fireplace has glass doors, never operate this appliance with glass doors closed. If you operate appliance with doors closed, heat buildup inside fireplace will cause glass to burst. Make sure there are no obstructions across openings of fireplace.
7. To prevent the creation of soot, follow the instructions in *Cleaning and Maintenance, Page 17*.
8. Before using furniture polish, wax, carpet cleaner or similar products, turn appliance off. If heated, the vapors from these products may create a white powder residue within burner box or on adjacent walls and furniture.
9. Do not use this appliance as a wood burning appliance. Use only the logs provided with the appliance. Do not burn solid fuels in this appliance.
10. Do not run appliance
 - where flammable liquids or vapors are used or stored
 - under dusty conditions
11. Do not use this appliance to cook food or burn paper or other objects.
12. Do not use this appliance if any part has been under water. Immediately call a qualified service technician to inspect the appliance and to replace any part of the control system and any gas control that has been under water.
13. Do not operate appliance if any log is broken.
14. Turn appliance off and let cool before servicing, installing or repairing. Only a qualified service person should install, service or repair appliance.
15. This appliances must not be connected to any external electrical source.
16. Operating appliance above elevations of 4,500 feet may cause pilot outage.
17. To prevent performance problems, do not use propane/LP fuel tank of less than 100 lb. capacity (propane/LP units only).
18. Provide adequate clearances around air openings.
19. Do not operate fireplace if any log is broken.
20. Solid fuels shall not be burned in this appliance.

LOCAL CODES

Install and use appliance with care. Follow all local codes. In the absence of local codes, use the latest edition of *The National Fuel Gas Code, ANSI Z223.1/NFPA 54**.

The appliance when installed, must be electrically grounded in accordance with local codes, or in the absence of local codes, with the *National Electrical Code, ANSI/NFPA 70**.

*Available from:

American National Standards Institute, Inc.
25 West 43rd Street, 4th floor
New York, NY 10036

National Fire Protection Association, Inc.
1 Batterymarch Park
Quincy, MA 02169-7471

COMMONWEALTH OF MASSACHUSETTS REQUIREMENTS

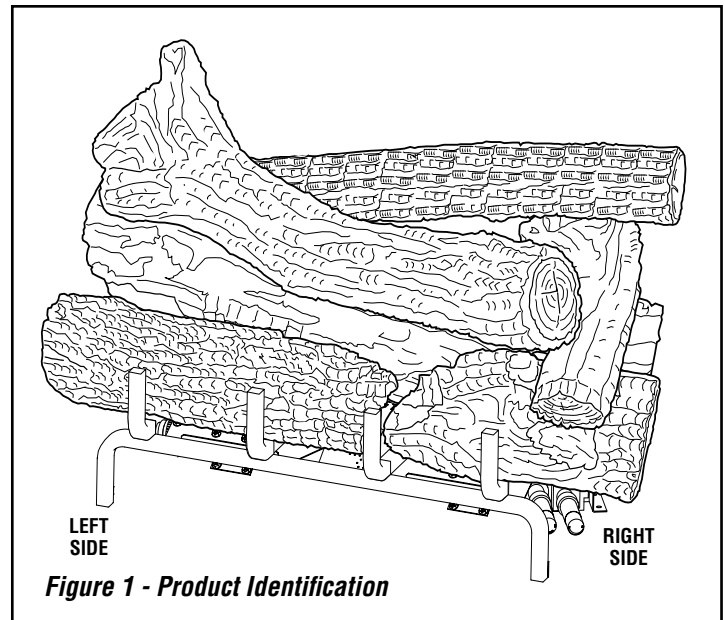
These appliances are approved for installation in the US state of Massachusetts if the following additional requirements are met:

- Un-vented Room Heaters shall be installed in accordance with 527 CMR 30.
- Installation and repair must be done by a plumber or gas fitter licensed in the Commonwealth of Massachusetts.

- The flexible gas line connector used shall not exceed 36 inches (92 centimeters) in length.
- The individual manual shut-off must be a T-handle type valve.
- Unvented appliances may NOT be installed in bedrooms or bathrooms.
- A working smoke detector must be installed in the area where vent-free appliances are installed.

Seller of unvented propane or natural gas-fired supplemental room heaters shall provide to each purchaser a copy of 527 CMR 30 upon sale of the unit.

PRODUCT IDENTIFICATION



UNPACKING

1. Remove logs and appliance base assembly from carton(s).
2. Remove all protective packaging applied to logs and appliance for shipment.
3. Check appliance for any shipping damage. If appliance is damaged, promptly inform dealer where you purchased the appliance.

CAUTION: Do not remove the data plates from the grate assembly. The data plates contain important warranty and safety information.

PRODUCT FEATURES

OPERATION

This appliance is dual listed as a vented decorative gas appliance to ANSI Z21.60 for use indoors in wood burning fireplaces and as an outdoor decorative gas appliance to ANSI Z21.97. When operated as an outdoor decorative gas appliance, it must be installed outdoors in a site built wood burning fireplace or a UL 127 listed wood burning fireplace designed for outdoor use or in an unvented outdoor fireplace.

If optional accessory MFEB is used, the fireplace in which the appliance is installed must have a working vent/flue as described within these instructions.

ELECTRONIC IGNITION SYSTEM

This appliance has an electronic igniter to light appliance fuel supply.

INSTALLATION

WARNING: DO NOT INSTALL IN SLEEPING ROOM OF MOBILE HOMES.

⚠ WARNING: A qualified service person must connect fireplace to gas supply. Follow all local codes.

NOTICE: State or local codes may only allow operation of this appliance in a vented configuration. Check your state or local codes.

⚠ WARNING: Make sure the selector switch is in the OFF position before installing appliance.

⚠ WARNING: Never install the appliance

- in a recreational vehicle
- where curtains, furniture, clothing or other flammable objects are less than 36" from front, 42" from top of appliance; for side clearances see *Figure 2, Page 6*
- in high traffic areas
- in windy or drafty areas

OUTDOOR ENCLOSURE REQUIREMENTS

This appliance is considered to be installed outdoors if installed with shelter no more inclusive than:

1. With walls on all sides, but with no overhead cover;
2. Within a partial enclosure which includes an overhead cover and no more than two side walls. These side walls may be parallel, as in a breezeway or at right angles to each side; or
3. Within a partial enclosure which includes an overhead cover and three side walls; as long as 30% or more of the horizontal periphery of the enclosure is permanently open.

This appliance must be installed in an approved fireplace. When installed indoors or either indoors or outdoors with optional ember burner MFEB, the appliance must be installed in a wood burning fireplace with the flue damper in the open position. This appliance may only be installed in a fireplace with no flue when installed in an approved outdoor fireplace. When installed in an outdoor fireplace with no flue, optional ember burner MFEB may not be used.

CHECK GAS TYPE

Use the correct type of gas (natural or propane/LP). If your gas supply is not the correct gas type, do not install appliance. Call dealer where you bought appliance for proper type appliance.

⚠ WARNING: This appliance is equipped for either natural gas or propane/LP gas but not both. Gas type is indicated on the rating plate. Field conversion is not permitted.

INSTALLATION AND CLEARANCES

⚠ WARNING: Maintain the minimum clearances. If you can, provide greater clearances from floor, ceiling and adjoining wall.

MINIMUM FIREPLACE CLEARANCE TO COMBUSTIBLE MATERIALS

Side Wall 16", Ceiling 42"
Floor 5", Front: 36"

LOG SIZING REQUIREMENTS

| Log Size | Minimum Firebox Size | | | |
|--------------------------|----------------------|-------|-------------|-------------|
| | Height | Depth | Front Width | Rear* Width |
| LMF24GTA/B LMF24MOA/B | 29" | 15.5" | 32.5" | 22.75" |
| LMF30GTA/B LMF30MOA/B | 29" | 15.5" | 39" | 26.75" |
| LMF36GTA/B LMF36MOA/B | 29" | 20" | 47" | 33" |

* When you add the optional MAGNIFLAME EMBER BURNER KIT MFEB the depth dimension increases by 3-1/2"

INSTALLATION *Continued*

Carefully follow the instructions below. This will ensure safe installation into a masonry, UL127-listed manufactured fireplace or listed outdoor firebox.

Minimum Clearances For Side Combustible Material, Side Wall and Ceiling

A. Clearances from the side of the fireplace cabinet to any combustible material and wall should follow diagram in **Figure 2**.

Example: The face of a mantel, bookshelf, etc. is made of combustible material and protrudes 3-1/2" from the wall. This combustible material must be 4" from the side of the fireplace cabinet (see **Figure 2**).

NOTE: When installing your gas logs into a manufactured firebox, follow firebox manufacturer's instructions for minimum clearances to combustible materials.

B. Clearances from the top of the fireplace opening to the ceiling should not be less than 42".

Maintain adequate clearances for accessibility for purposes of servicing and proper operation.

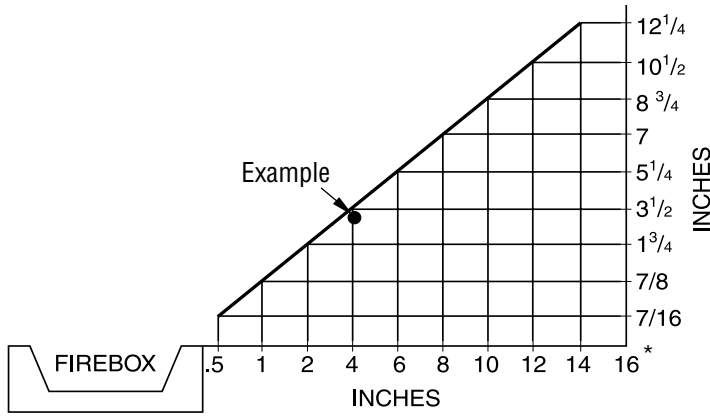


Figure 2 - Minimum Clearance for Combustible to Wall

Minimum Noncombustible Material Clearances

If Not Using Mantel

NOTE: If using a mantel proceed to If Using Mantel. If not using a mantel, follow these instructions.

You must have noncombustible material(s) above the fireplace opening. Noncombustible materials (such as slate, marble, tile, etc.) must be at least 1/2" thick. With sheet metal, you must have noncombustible material behind it. Noncombustible material must extend at least 8" up (for all models). If noncombustible material is less than 12", you must install the fireplace hood accessory. See **Figure 3** for minimum clearances.

| Noncombustible Material Distance (A) | Requirements for Safe Installation |
|--------------------------------------|--|
| 12" or more | Noncombustible material OK. |
| Between 8" and 12" | Install fireplace hood accessory (<i>GA6050</i> - see <u>Accessories, Page 22</u>). |
| Less than 8" | Noncombustible material must be extended to at least 8". See <u>Between 8" and 12"</u> , above. If you cannot extend material, you must operate appliance with flue damper open. |

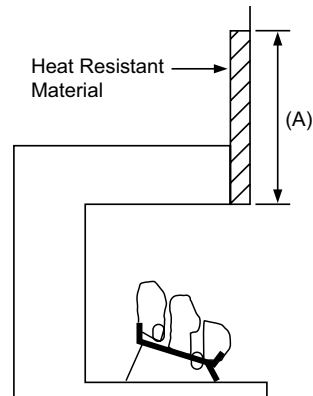


Figure 3 - Heat Resistant Material (Slate, Marble, Tile, etc.) Above Fireplace

If Using Mantel

You must have noncombustible material(s) above the fireplace opening. Noncombustible materials (such as slate, marble, tile, etc.) must be at least 1/2" thick. With sheet metal, you must have noncombustible material behind it. Noncombustible material must extend at least 8" up (for all models). If noncombustible material is less than 12", you must install the fireplace hood accessory. Even if noncombustible material is more than 12", you may need the hood accessory to deflect heat away from your mantel shelf. See **Figure 3** and **Figures 4 and 5, Page 7**, for minimum clearances.

IMPORTANT: If you cannot meet these minimum clearances, you must operate appliance with chimney flue damper open. Go to Installing Damper Clamp Accessory for Vented Operation, Page 7.

INSTALLATION *Continued*

MANTEL CLEARANCES

In addition to meeting noncombustible material clearances, you must also meet required clearances between fireplace opening and mantel shelf. If you do not meet the clearances listed below, you will need a hood.

Determining Minimum Mantel Clearance

If you meet minimum clearance between mantel shelf and top of fireplace opening, a hood is not required (see **Figure 4, Page 7**).

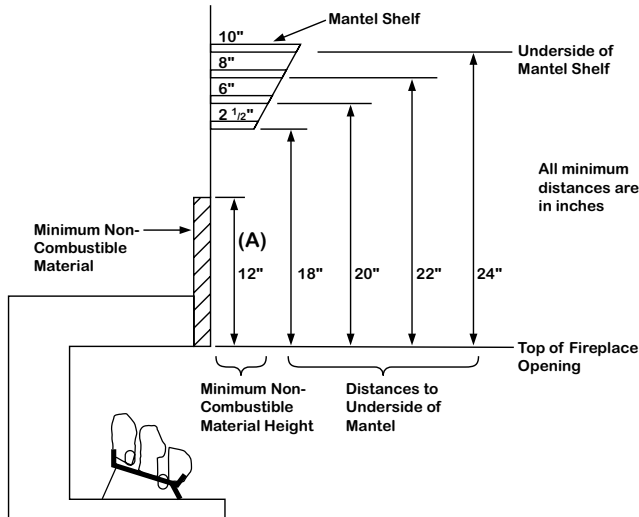


Figure 4 - Minimum Mantel Clearances Without Using Hood

Determining Minimum Mantel Clearance When Using a Hood

If minimum clearances in **Figure 4**, are not met, you must have a hood. When using a hood there are still certain minimum mantel clearances required. Follow minimum clearances shown in **Figure 5**, when using hood.

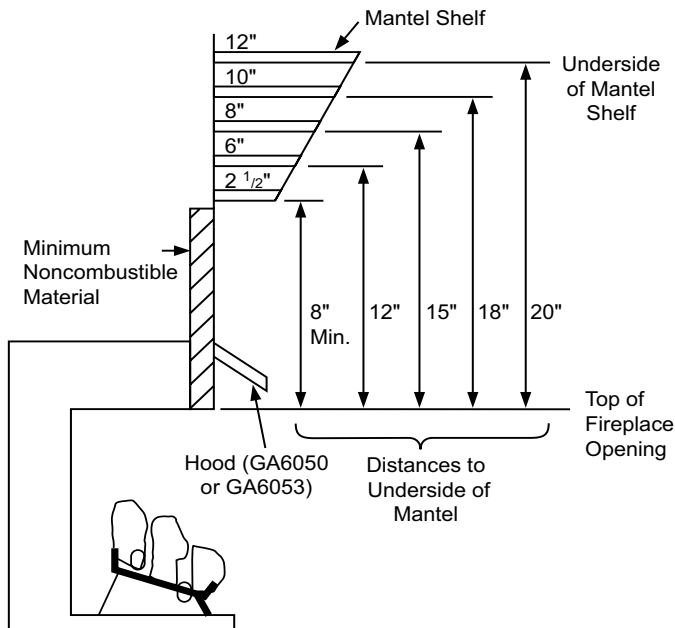


Figure 5 - Minimum Mantel Clearances When Using Hood

Minimum clearance requirements include any projections such as shelves, window sills, mantels, etc. above the appliance.

NOTICE: Surface temperatures of adjacent walls and mantels become hot during operation. Walls and mantels above the firebox may become hot to the touch. If installed properly, these temperatures meet the requirement of the national product standard. Follow all minimum clearances shown in this manual.

Notice: If your installation does not meet the minimum clearances shown, you must do one of the following:

- operate the logs only with the flue damper open
- raise the mantel to an acceptable height
- remove the mantel

FLOOR CLEARANCES

- If installing appliance on the floor level, you must maintain the minimum distance of 14" to combustibles (see **Figure 6**).
- If combustible materials are less than 14" to the fireplace, you must install appliance at least 5" above the combustible flooring (see **Figure 7**).

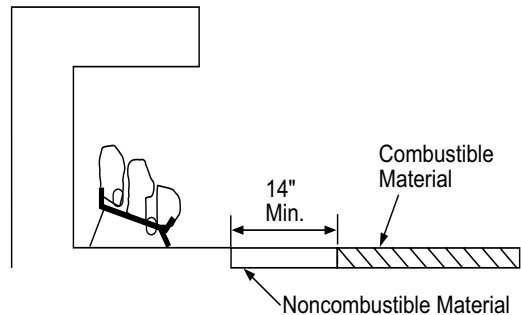


Figure 6 - Minimum Fireplace Clearances If Installed at Floor Level

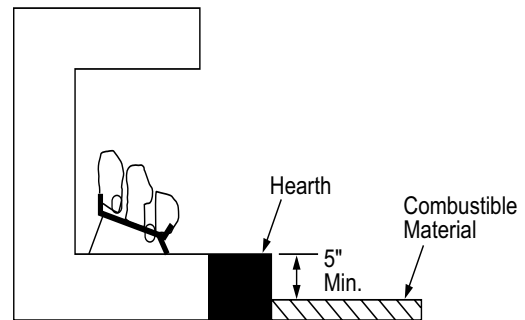


Figure 7 - Minimum Fireplace Clearances Above Combustible Flooring

INSTALLING DAMPER CLAMP ACCESSORY FOR VENTED OPERATION

NOTE: When used as a vented indoor appliance, appliance must be installed only in a solid-fuel-burning fireplace with a working flue and constructed of noncombustible material.

Installation Continued

For Massachusetts Residents Only: Installation of this gas log set as a vented indoor appliance in the Commonwealth of Massachusetts requires the damper be permanently removed or welded in the fully open position.

You must install the damper clamp accessory (*to order, see Accessories, Page 22*). This will ensure vented operation (*see Figure 8*). The damper clamp will keep damper open. Installation instructions are included with clamp accessory.

See chart below for minimum permanent flue opening you must provide. Attach damper clamp so the minimum permanent flue opening will be maintained at all times.

| Area of Various Standard Round Flues | |
|--------------------------------------|---------------|
| Diameter | Area |
| 5" | 20 sq. inches |
| 6" | 29 sq. inches |
| 7" | 39 sq. inches |
| 8" | 51 sq. inches |

| Chimney Height | Minimum Permanent Flue Opening |
|----------------|--------------------------------|
| 6' to 15' | 39 sq. inches |
| 15' to 30" | 29 sq. inches |

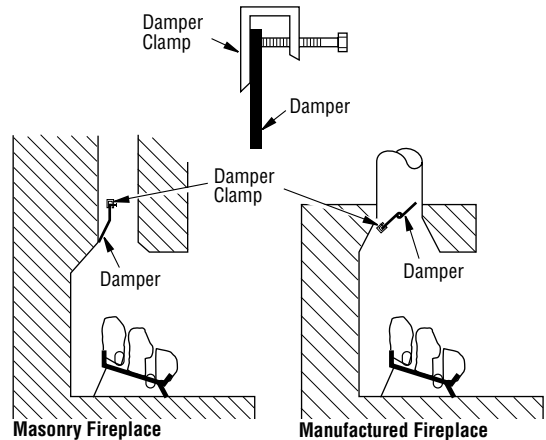


Figure 8 - Attaching Damper Clamp

INSTALLING APPLIANCE BASE ASSEMBLY

INSTALLING APPLIANCE BASE ASSEMBLY

WARNING: You must secure this appliance to fireplace floor. If not, appliance will move when you adjust controls. Moving appliance may cause a gas leak.

WARNING: If installing in a sunken fireplace, special care is needed. You must raise the fireplace floor to allow access to appliance control panel. This will ensure adequate air flow and guard against sooting and controls being damaged. Raise fireplace floor with noncombustible material. Make sure material is secure.

Installation Items Needed

- hardware package (provided with appliance)
- approved flexible gas hose and fittings provided (if allowed by local codes)
- sealant (resistant to propane/LP gas, not provided)
- electric drill with 3/16" masonry drill bit

1. Apply pipe joint sealant lightly to male threads of the 1/2 NPT side of gas fitting elbow (provided) and connect to inlet side of gas control. Remove gas fitting from flexible gas hose (provided) before connecting to elbow (*see Figure 9*).
2. Position appliance base assembly in fireplace.
3. Mark screw locations through holes in front panel of base (*see Figure 10, Page 9*). If installing in a brick-bottom fireplace, mark screw locations in mortar joint of bricks.
4. Remove appliance base from fireplace.
5. Drill holes at marked locations using 3/16" drill bit.
6. Attach base, through holes in back side panels of base, to fireplace floor using masonry screws provided in hardware package (*see Figure 10, Page 9*).
7. Connect to gas supply. See *Connecting To Gas Supply, Page 9*.

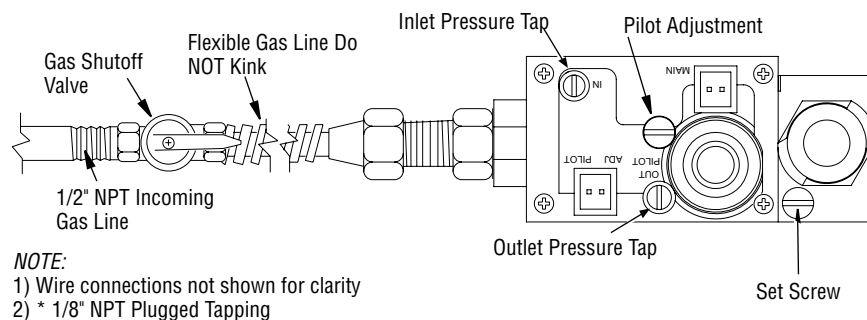


Figure 9 - Connecting Incoming Gas Line to Flex Gas Line

Installation Continued

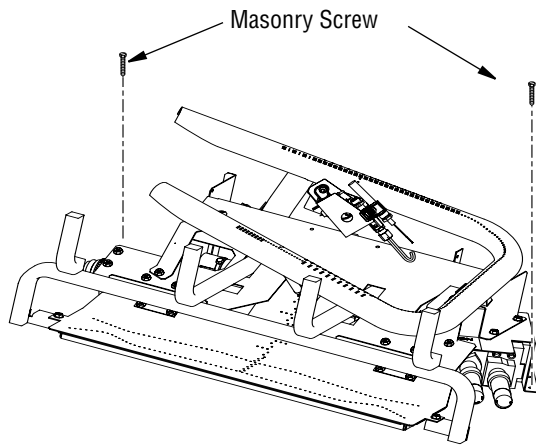


Figure 10 - Attaching Base to Fireplace Floor (Model Shown May Vary from Actual Model)

CONNECTING TO GAS SUPPLY

⚠ WARNING: This appliance requires a 1/2" NPT (National Pipe Thread) inlet connection to the pressure regulator.

⚠ WARNING: A qualified service person must connect appliance to gas supply. Follow all local codes.

⚠ CAUTION: Never connect propane/LP appliance directly to the propane/LP supply. This appliance requires an external regulator (not supplied). Install the external regulator between the appliance and propane/LP supply.

⚠ WARNING: Never connect this appliance to private (non-utility) gas wells. This gas is commonly known as wellhead gas and does not have odorants and may have impurities, and variations in BTU content. The use of well-head gas will void the manufacturer's warranty to this appliance.

When an appliance is for connection to a fixed piping system, the installation must conform with local codes, or in the absence of local codes with the *National Fuel Gas Code, ANSI Z223.1 • NFPA 54; National Fuel Gas Code; Natural Gas and Propane Installation Code, CSA B149.1; or Propane Storage and Handling Code, CSA B149.2*, as applicable.

Installation Items Needed

Before installing appliance, make sure you have the items listed below.

- external regulator (supplied by installer)
- piping (check local codes)
- sealant (resistant to propane/LP gas)
- equipment shutoff valve *
- test gauge connection *

- sediment trap
- tee joint
- pipe wrench
- approved flexible gas line with gas connector (if allowed by local codes) (not provided)
- * An equipment shutoff valve with 1/8" NPT tap is an acceptable alternative to test gauge connection. Purchase the optional equipment shutoff valve from your dealer.

For propane/LP units, the installer must supply an external regulator. The external regulator will reduce incoming gas pressure. You must reduce incoming gas pressure to between 11" and 14" of water. If you do not reduce incoming gas pressure, appliance regulator damage could occur. Install external regulator with the vent pointing down as shown in **Figure 11**. Pointing the vent down protects it from freezing rain or sleet.

⚠ CAUTION: Use only new, black iron or steel pipe. Internally-tinned copper tubing may be used in certain areas. Check your local codes. Use pipe of 1/2" diameter or greater to allow proper gas volume to appliance. If pipe is too small, undue loss of volume will occur.

Installation must include an equipment shutoff valve, union and plugged 1/8" NPT tap. Locate NPT tap within reach for test gauge hook up. NPT tap must be upstream from appliance (see **Figure 12, Page 10**).

IMPORTANT: Install equipment shutoff valve in an accessible location. The equipment shutoff valve is for turning on or shutting off the gas to the appliance.

Check your building codes for any special requirements for locating equipment shutoff valve to appliances.

Apply pipe joint sealant lightly to male NPT threads. This will prevent excess sealant from going into pipe. Excess sealant in pipe could result in clogged appliance valves.

⚠ WARNING: Use pipe joint sealant that is resistant to liquid petroleum (LP) gas.

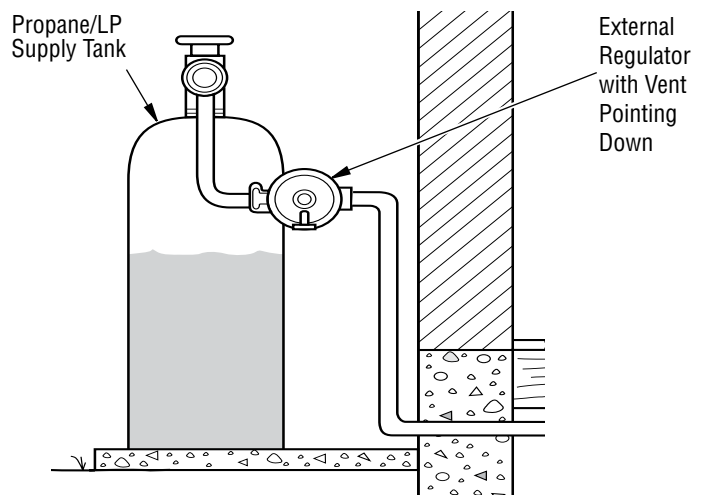
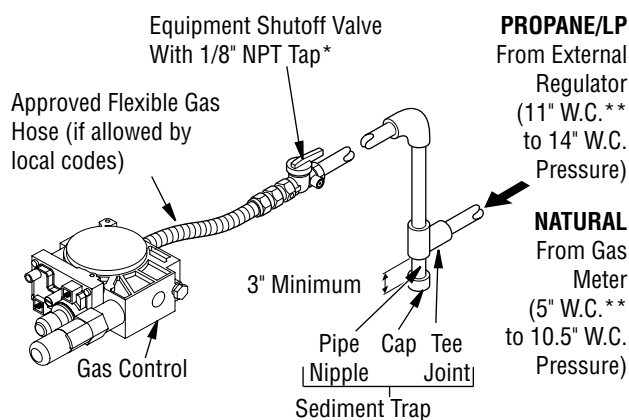


Figure 11 - External Regulator With Vent Pointing Down

INSTALLATION *Continued*



* Purchase the optional equipment shutoff valve from your dealer.

**Minimum inlet pressure for purpose of input adjustment.

Figure 12 - Gas Connection

We recommend that you install a sediment trap in supply line as shown in **Figure 12**. Locate sediment trap where it is within reach for cleaning. Install in piping system between fuel supply and appliance. Locate sediment trap where trapped matter is not likely to freeze. A sediment trap traps moisture and contaminants. This keeps them from going into appliance controls. If sediment trap is not installed or is installed wrong, appliance may not run properly.

CAUTION: Avoid damage to gas control. Hold gas control with wrench when connecting it to gas piping and/or fittings.

CHECKING GAS CONNECTIONS

WARNING: Test all gas piping and connections, internal and external to unit, for leaks after installing or servicing. Correct all leaks at once.

WARNING: Never use an open flame to check for a leak. Apply a noncorrosive leak detection fluid to all joints. Bubbles forming show a leak. Correct all leaks at once.

CAUTION: Make sure external regulator has been installed between propane/LP supply and appliance. See guidelines under **Connecting to Gas Supply, Page 9**.

PRESSURE TESTING GAS SUPPLY PIPING SYSTEM

The appliance and its appliance main gas valve must be disconnected from the gas supply piping system during any pressure testing of that system at test pressures **in excess of** 1/2 psi (3.5 kPa).

The appliance must be isolated from the gas supply piping system by closing its equipment shutoff valve during any pressure testing of the gas supply piping system at test pressures **equal to or less than** 1/2 psi (3.5 kPa).

Test Pressures In Excess Of 1/2 PSIG (3.5 kPa)

1. Disconnect appliance with its appliance main gas valve (control valve) and equipment shutoff valve from gas supply piping system. Pressures in excess of 1/2 psig will damage appliance regulator.
2. Cap off open end of gas pipe where equipment shutoff valve was connected.
3. Pressurize supply piping system by either opening propane/LP supply tank valve for propane/LP gas or opening main gas valve located on or near gas meter for natural gas or using compressed air.
4. Check all joints of gas supply piping system. Apply noncorrosive leak detection fluid to all joints. Bubbles forming show a leak.
5. Correct all leaks at once.
6. Reconnect appliance and equipment shutoff valve to gas supply. Check reconnected fittings for leaks.

Test Pressures Equal To or Less Than 1/2 PSIG (3.5 kPa)

1. Close equipment shutoff valve (*see Figure 13*).
2. Pressurize supply piping system by either opening propane/LP supply tank valve for propane/LP gas or opening main gas valve located on or near gas meter for natural gas or using compressed air.
3. Check all joints from gas meter to equipment shutoff valve for natural gas or propane/LP supply to equipment shutoff valve for propane/LP (*see Figure 14 or Figure 15, Page 11*). Apply noncorrosive leak detection fluid to all joints. Bubbles forming show a leak.
4. Correct all leaks at once.

PRESSURE TESTING APPLIANCE GAS CONNECTIONS

1. Open equipment shutoff valve (*see Figure 13*).
2. Open main gas valve located on or near gas meter for natural gas or open propane/LP supply tank valve.
3. Make sure control knob of appliance is in the OFF position.
4. Check all joints from gas meter to equipment shutoff valve for natural gas or propane/LP supply to equipment shutoff valve for propane/LP (*see Figure 14 or Figure 15, Page 11*). Apply noncorrosive leak detection fluid to all joints. Bubbles forming show a leak.
5. Correct all leaks at once.
6. Light appliance (*see Operation, Page 15*). Check all other internal joints for leaks.
7. Turn off appliance (*see To Turn Off Gas to Appliance, Page 15*).

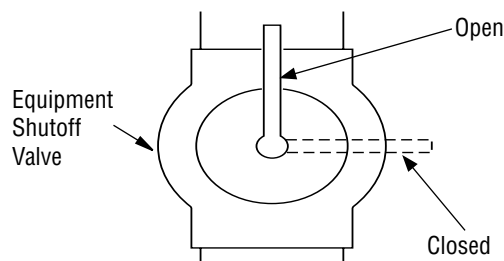


Figure 13 - Equipment Shutoff Valve

INSTALLATION *Continued*

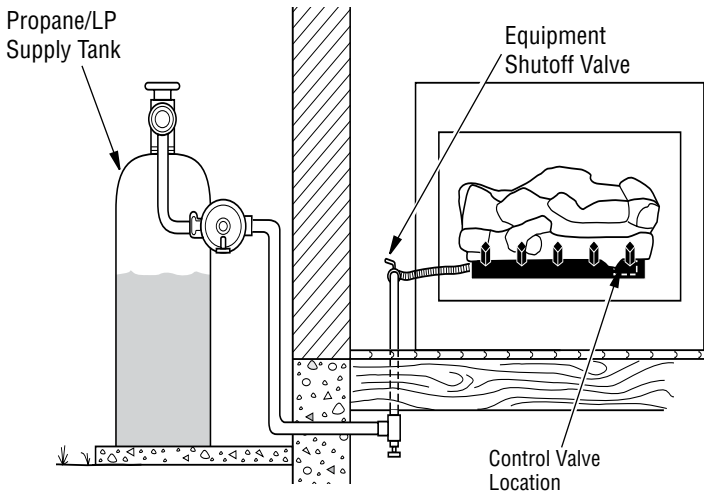


Figure 14- Checking Gas Joints (Propane/LP Only)

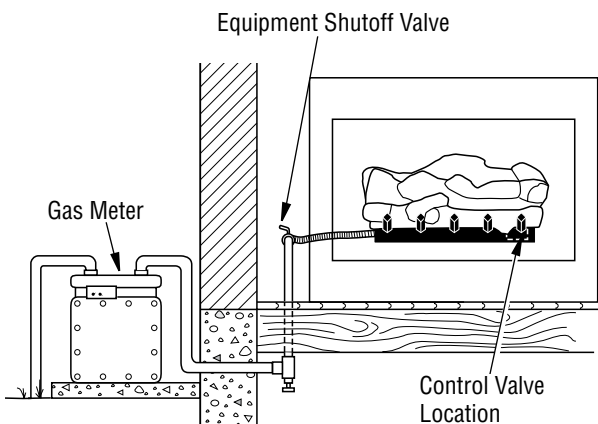


Figure 15 - Checking Gas Joints (Natural Gas Only)

INSTALLING LOGS AND VOLCANIC STONE

⚠ WARNING: Failure to position the parts in accordance with these diagrams or failure to use only parts specifically approved with this appliance may result in property damage or personal injury.

⚠ CAUTION: After installation and periodically thereafter, check to ensure that no flame comes in contact with any log. With appliance set to Hi, check to see if flames contact any log. If so, reposition logs according to log installation instructions in this manual. Flames contacting logs will create soot.

LOG PLACEMENT

It is very important to install these logs exactly as instructed. Do not modify logs. Only use logs supplied with appliance.

NOTE: Each log includes an identifying number cast in the log. Look at each log when placing them on the burner system to be certain it is correct.

1. Find the right front log (LMF24GTA/B or LMF24MOA/B models: D-061, LMF30GTA/B or LMF30MOA/B models: D-019, LMF36GTA/B or LMF36MOA/B models: D-027). See **Figures 16, 16A, 16B, and 16C** for reference. The log has a rectangular shape on the bottom that fits against the lip on the black metal base, the square grate, and the round tube burner. Slide the log in place as shown in figures.

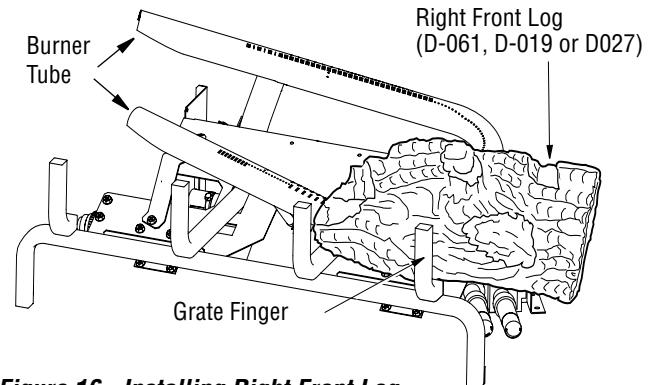


Figure 16 - Installing Right Front Log

INSTALLING BATTERIES IN HAND HELD REMOTE

CONTROL AND BATTERY PACK

Installing Batteries in Battery pack

1. Remove access cover on battery pack.
2. Install 4 AA batteries, included, into battery pack following positive and negative directions.
3. Replace access cover on battery pack.
4. Place battery pack next control valve away from the burner.

Installing Batteries in Handheld Remote Control

1. Remove battery cover on back of remote control.
2. Install supplied A23/12V battery following positive and negative directions.
3. Replace battery cover onto remote control.

| MF SERIES BURNER SYSTEM LOG COMPATIBILITY CHART | |
|--|--|
| Burner System Model | Refractory Concrete Logs For Use With This Burner System |
| MNF24ONE MNF24OPE | LMF24GTA/B LMF30GTA/B LMF24MOA/B LMF30MOA/B |
| MNF30ONE MNF30OPE | LMF36GTA/B LMF36MOA/B |

Installation Continued

- Find the back left log (LMF24GTA/B or LMF24MOA/B models: D-060, LMF30GTA/B or LMF30MOA/B models: D-018, LMF36GTA/B or LMF36MOA/B models: D-026). See **Figures 17, 17A, and 17B**. **Figure 17A** shows how the log must fit against the end of the burner. **Figure 17B** shows how the notch in log fits against the vertical portion of the burner tube. Place this log on the base assembly by inserting it from the left side as shown in **Figure 17**. You will need to twist the log slightly to get it to fit against the burners properly. It will rest even with the back edge of the pan.

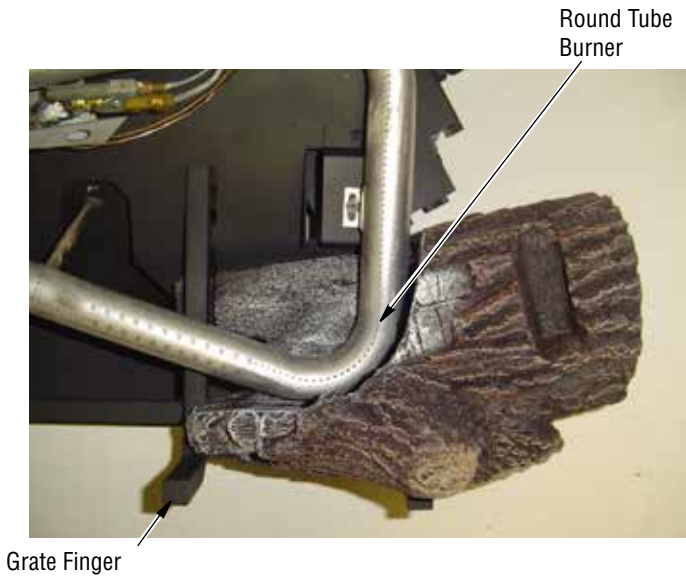


Figure 16A - Installing Right Front Log, Top View

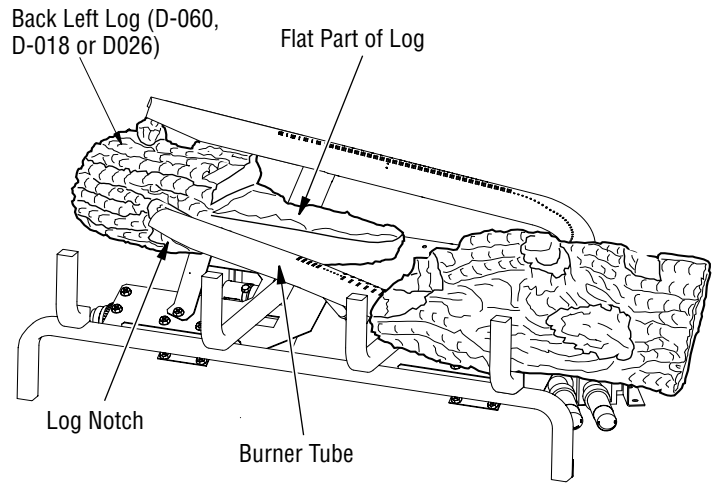


Figure 17 - Installing Back Left Log

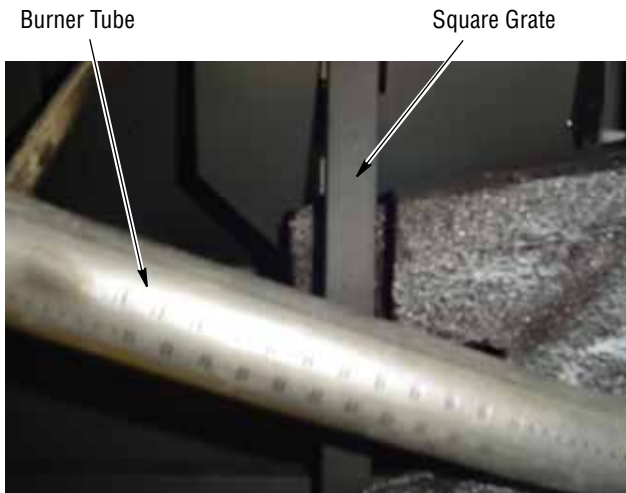


Figure 16B - Installing Right Front Log, Top View

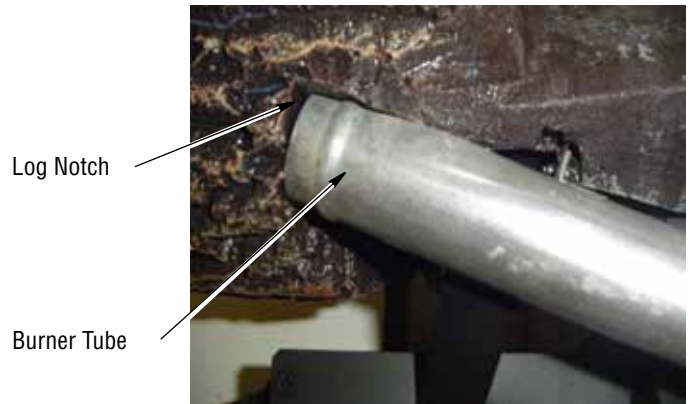


Figure 17A - Installing Back Left Log

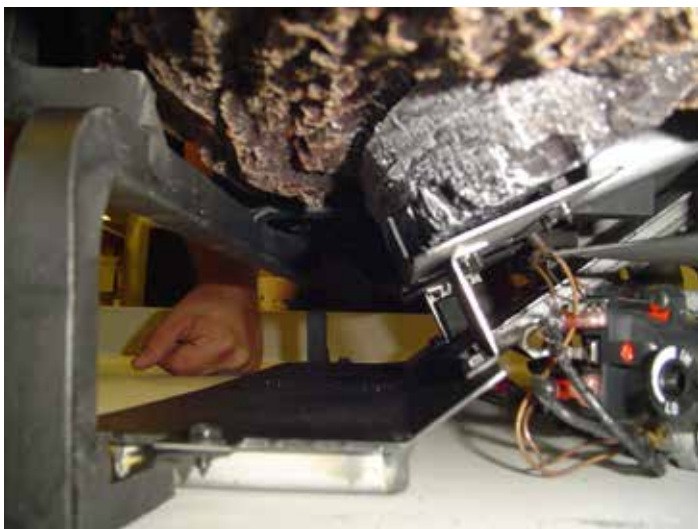


Figure 16C - Installing Right Front Log, Side View



Figure 17B - Installing Back Left Log (D-018) Rear View

Installation Continued

3. Find the front left log (LMF24GTA/B or LMF24MOA/B models: D-059, LMF30GTA/B or LMF30MOA/B models: D-017, LMF36GTA/B or LMF36MOA/B models: D-025). See **Figures 18, 18A, and 18B**. The log has a rectangular stand off on the bottom that fits against the lip on the black metal base as shown in **Figure 18A**. The bottom of this log has a slot that fits over the second bar on the grate as shown in **Figure 18B**. Place the log on the base assembly as shown in figures.

Front Left Log (D-059, D-017 or D-025)

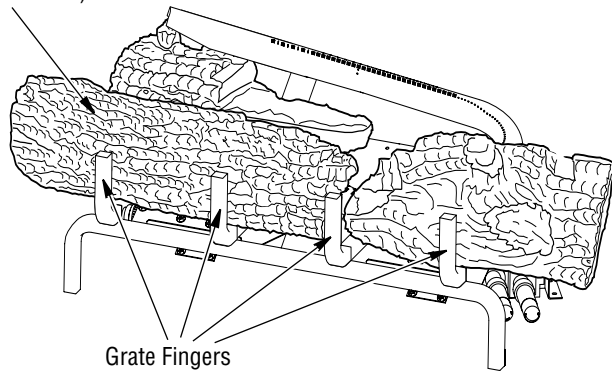


Figure 18 - Installing Front Left Log

4. Find the charred log (D-020). See **Figures 19, 19A, and 19B**. The log has a slot in the bottom that fits over the square grate and rests against the burner tube as shown in **Figure 19**. Place this log on the base as shown in figures.

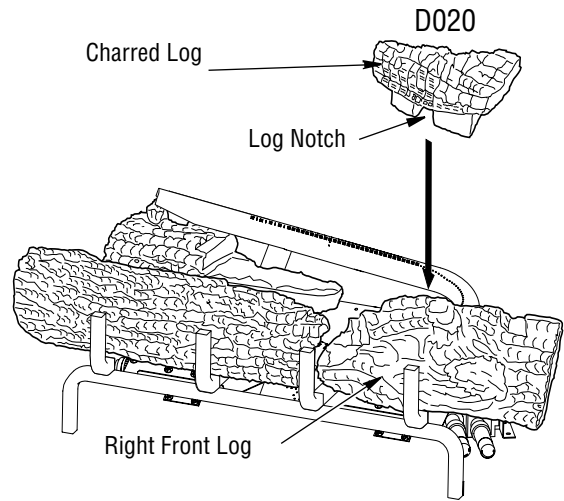


Figure 19 - Installing Charred Log



Figure 18A - Installing Front Left Log Side View



Figure 19A - Installing Charred Log Top View

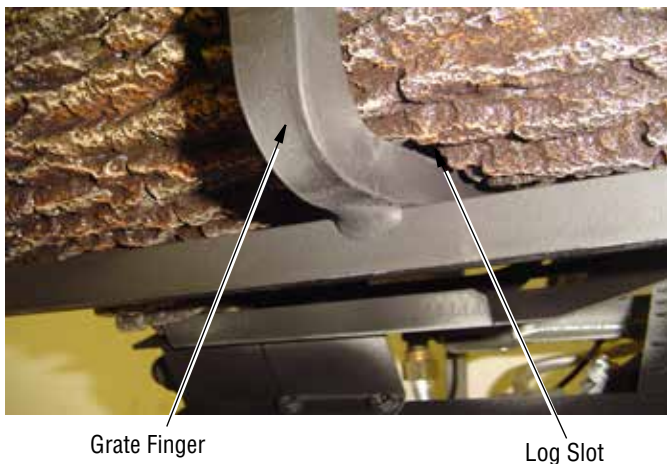


Figure 18B - Installing Front Left Log

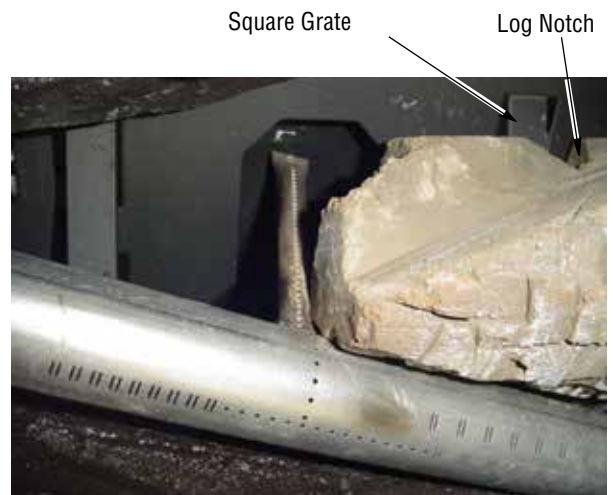


Figure 19B - Installing Charred Log Top Side View

Installation Continued

- Find the middle split log (LMF24GTA/B or LMF24MOA/B models: D-063, LMF30GTA/B or LMF30MOA/B models: D-021, LMF36GTA/B or LMF36MOA/B models: D-028). See **Figures 20 and 20A**. The split side of the log faces forward. The log has a notch that fits around the burner tube on the right side. The left side of the burner tube fits into the notch on the back side of this log. The log is placed properly when it sits parallel to the tube burner and the square peg is pointing up. See figures for reference.

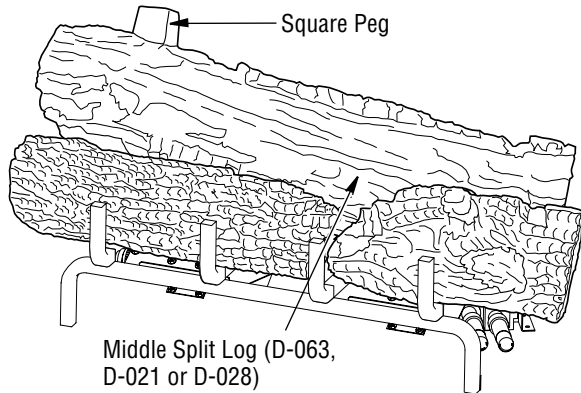


Figure 20 - Installing Middle Split Log (D-021)



Figure 20A - Installing Middle Split Log Rear Top Side View

- Find the right split crossover log (D-022). The bottom of the log has a rectangular stand off that fits in the slots on the right side of the front right log and the middle split log. Place this log as shown in **Figure 21**.

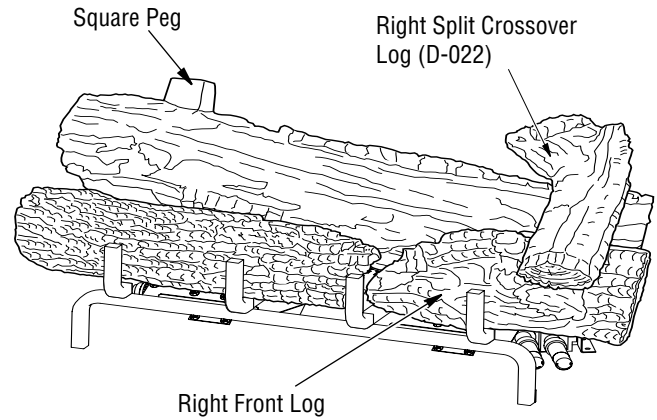


Figure 21 - Installing Right Split Crossover Log

- For GTA/GTB logs, find the front top log (D-024). See **Figure 22**. The left end of this log has a square hole that fits over a square peg that is on the top of the middle split log. The right end of this log rests behind the knot on the top of the front right log.

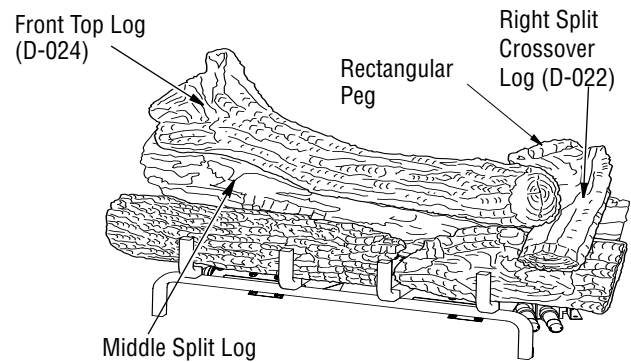


Figure 22 - Installing Large Middle Log

- Find the back top log (LMF24GTA/B or LMF24MOA/B models: D-062, LMF30GTA/B or LMF30MOA/B models: D-023, LMF36GTA/B or LMF36MOA/B models: D-029). See **Figures 23, and 23A**. The left end of this log has a round hole that fits over the round peg that is on the top of the back left log. The right end of this log has a rectangular hole that fits over the rectangular peg on the top of the right crossover log.

VOLCANIC STONE PLACEMENT

Place Volcanic Stone around the base of the burner assembly on the fireplace floor to simulate an ash bed. Do not place Volcanic Stone or any other material on the burner.

Installation Continued

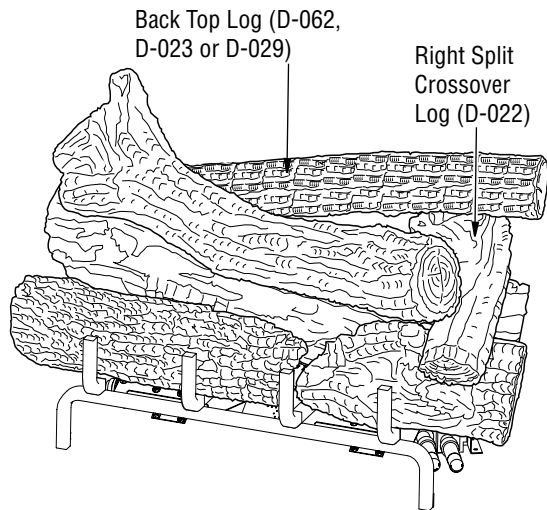


Figure 23 - Installing Back Top Log and Final Assembly



Figure 23A - Installing Back Top Log, Top View



Figure 24 - Installing Small Left Hand And Right Hand Logs

For MOA/B logs only, follow steps 9 and 10.

9. Install the small Left Top Log D080 as shown in **Figure 24** by mating the rectangular peg and notch.
10. Install the small Right Top Log D081 as shown in **Figure 24**.

OPERATION

**FOR YOUR SAFETY
READ BEFORE LIGHTING**

⚠ WARNING: If you do not follow these instructions exactly, a fire or explosion may result causing property damage, personal injury or loss of life.

- A. This appliance does not have a pilot, it is equipped with an ignition device which automatically lights the pilot. Do not light pilot by hand.
- B. **BEFORE LIGHTING** smell all around the appliance area for gas. Be sure to smell next to the floor because some gas is heavier than air and will settle on the floor.
WHAT TO DO IF YOU SMELL GAS
 - Do not try to light any appliance.
 - Do not touch any electric switch; do not use any phone in your building.
 - Immediately call your gas supplier from a neighbor's phone. Follow the gas supplier's instructions.
- C. Do not use this appliance if any part has been under water. Immediately call a qualified service technician to inspect the appliance and to replace any part of the control system and any gas control which has been under water.

LIGHTING INSTRUCTIONS

1. STOP! Read the safety information first.
2. Do not attempt to light the burner by hand.
3. Turn equipment shutoff valve clockwise ↻ to the OFF position (see **Figure 25**). Do not force.
4. Wait five (5) minutes to clear out any gas. Then smell for gas, including near the floor. If you smell gas, STOP! Follow "B" in the safety information. If you don't smell gas, go to the next step.
5. Turn equipment shutoff valve counterclockwise ↻ to the ON position. Do not force.
6. Push remote control "ON" button.
7. Visually locate igniter. Igniter should begin to spark and main burner should ignite once flame appears at pilot.
 - If lighting appliance for the first time each season, it may take several attempts before supply gas can reach pilot and main burners.
 - If appliance will not stay lit after several attempts, follow instructions under To Turn Off Gas To Appliance and call your service technician or gas supplier.

TO TURN OFF GAS TO APPLIANCE

1. Push remote control "OFF" button.
2. Turn equipment shutoff valve clockwise ↻ to OFF. Do not force.

Solid fuels shall not be burned in this appliance.

OPERATION *Continued*

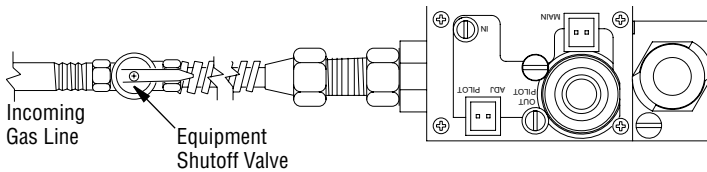


Figure 25 - Turning Equipment Shutoff Valve to the OFF Position

GAS CONTROL MODULE SYSTEM

REMOTE CONTROL FEATURE

The module has a built in remote control receiver that allows the user to program the remote transmitter at any time during or after the installation of the burner.

1. There is a switch located on the right side of the module that reads REMOTE/OFF (**Figure 26**).
2. When the remote/off switch is in the OFF position, the burner will operate from the rocker switch or wall switch connected to the two BROWN wires on the module.
3. When the remote/off is in the REMOTE position the burner will operate from the Remote Control Transmitter.

NOTE: The module must be programmed to the Remote Control Transmitter.

- To program the module (make sure the system has power), locate the learn button (**Figure 27**) on the module. Locate the metal shield that is covering the module and remove the screw on top. Use a small thin object like a paper clip (not sharp points) to press and release the learn button. There will be a beep sound from the module. Then press any button on the remote transmitter. Once the module's internal receiver accepts the transmitter code, there will be a series of confirming beeps.
- The remote system is ready for use.
- Pushing and holding the LEARN button for 6 seconds will result in clearing the transmitter security code from the module's memory. The module will make three long beeps in succession when it has been cleared.

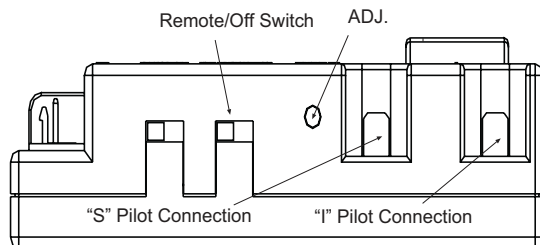


Figure 26 - Gas Module Right Side

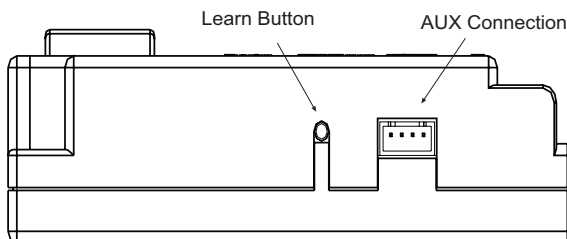


Figure 27 - Gas Module Left Side

INSPECTING BURNERS

Check burner flame patterns often.

IGNITER ASSEMBLY

The igniter assembly is factory preset for proper ignition of the burner. Alterations may have occurred during shipping and handling. Call a qualified service person to readjust the igniter assembly if necessary. The igniter should be positioned as shown in **Figure 28**.

NOTE: **Figure 28**, shows the correct positioning of the igniter and sensing rod.

If your igniter assembly does not meet these requirements:

- turn appliance off (see *To Turn Off Gas to Appliance*, **Page 15**).
- see *Troubleshooting*, **Page 19**

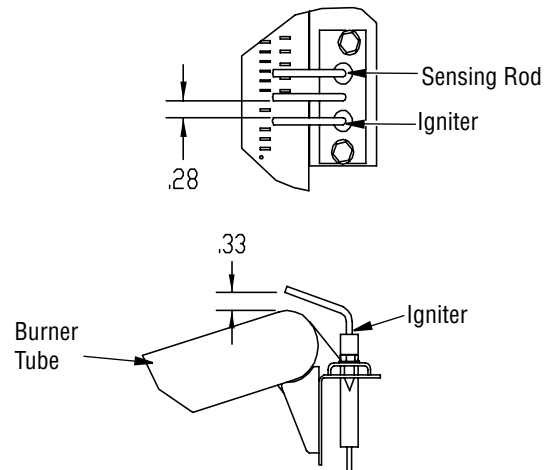


Figure 28 - Igniter Assembly

BURNER FLAME PATTERN

Figure 29 shows correct burner flame pattern.

NOTICE: Do not mistake orange flames with yellow tipping. Dirt or other fine particles are burned by appliance, causing brief patches of orange flame.

If burner flame pattern is incorrect, as shown in **Figure 30**, **Page 17**.

- turn appliance off (see *To Turn Off Gas to Appliance*, **Page 15**)
- see *Troubleshooting*, **Page 19**

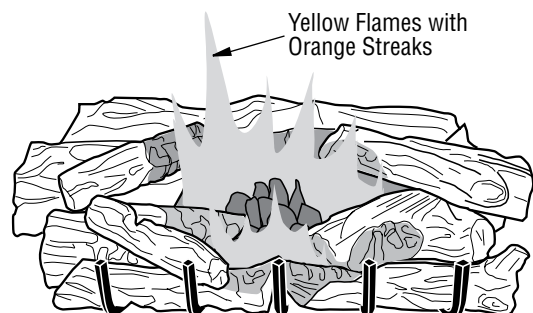


Figure 29 - Correct Burner Flame Pattern

INSPECTING BURNERS *Continued*

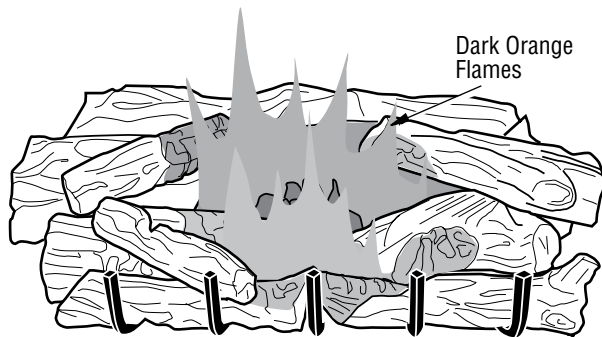


Figure 30 - Incorrect Burner Flame Pattern

CLEANING AND MAINTENANCE

⚠ WARNING: Turn off fireplace and let cool before cleaning.

⚠ CAUTION: You must keep control areas, burner and circulating air passageways of fireplace clean. Inspect these areas of fireplace before each use. Have fireplace inspected yearly by a qualified service person.

⚠ WARNING: Failure to keep the primary air opening(s) of the burner(s) clean may result in soot-ing and property damage.

Perform a periodic visual check of pilot and burner flame.

BURNER INJECTOR HOLDER AIR INLET HOLE

The primary air inlet holes allow the proper amount of air to mix with the gas. This provides a clean burning flame. Keep these holes clear of dust, dirt, lint and pet hair. Clean these air inlet holes prior to each heating season. Blocked air holes will create soot. We recommend that you clean the unit every three months during operation and have appliance inspected yearly by a qualified service person.

We also recommend that you keep the burner tube clean and free of dust and dirt. To clean these parts we recommend using compressed air no greater than 30 PSI. Your local computer store, hardware store or home center may carry compressed air in a can. If using compressed air in a can, please follow the directions on the can. If you don't follow directions on the can, you could damage the pilot assembly.

1. Shut off unit. Allow unit to cool for at least thirty minutes.
2. Inspect burner, and primary air inlet holes on injector holder for dust and dirt (see **Figure 31**).
3. Blow air through the ports/slots and holes in the burner.
4. Check injector holder located at end of burner tube again. Remove any large particles of dust, dirt, lint or pet hair with a soft cloth or vacuum cleaner nozzle.
5. Blow air into the primary air holes on the injector holder.
6. In case any large clumps of dust have now been pushed into the burner repeat steps 3 and 4. Additional cleaning may be needed for proper operation based on use/lack of use.

CLEANING AND MAINTENANCE *Continued*

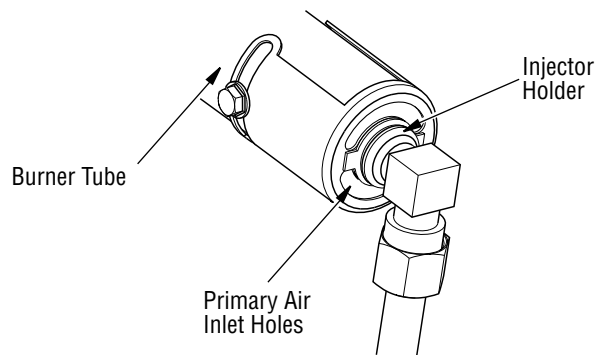


Figure 31 - Injector Holder On Outlet Burner Tube

LOGS

- If you remove logs for cleaning, refer to *Installing Logs and Volcanic Stone, Page 11*, to properly replace logs.
- Replace log(s) if broken or chipped (dime-sized or larger).

MAIN BURNER

Periodically inspect all burner flame holes with appliance running. All slotted burner flame holes should be open with flame present. All round burner flame holes should be open with a small blue flame present. Some burner flame holes may become blocked by debris or rust, with no flame present. If so, turn off appliance and let cool. Remove blockage, blocked burner flame holes will create soot.

The burner must be replaced prior to the appliance being put into operation if it is evident that the burner is damaged (use only factory original replacement burner).

⚠ WARNING: The injector holders (air shutters) are not adjustable. Do not move injector holders from their original positions.

(if installed as a vented appliance) At least once a year, the vent system for the fireplace in which this appliance is installed shall be inspected, cleaned, and repaired as necessary by a qualified service person.

SPECIFICATIONS

MNF240NE AND MNF300NE

- Rating (Variable): 29,000/40,000 Btu/Hr
- Type Gas: Natural
- Ignition: Electronic
- Manifold Pressure: 3.4" W.C.
- Inlet Gas Pressure (in. of water):
Max - 10.5" W.C., Min* - 5" W.C.

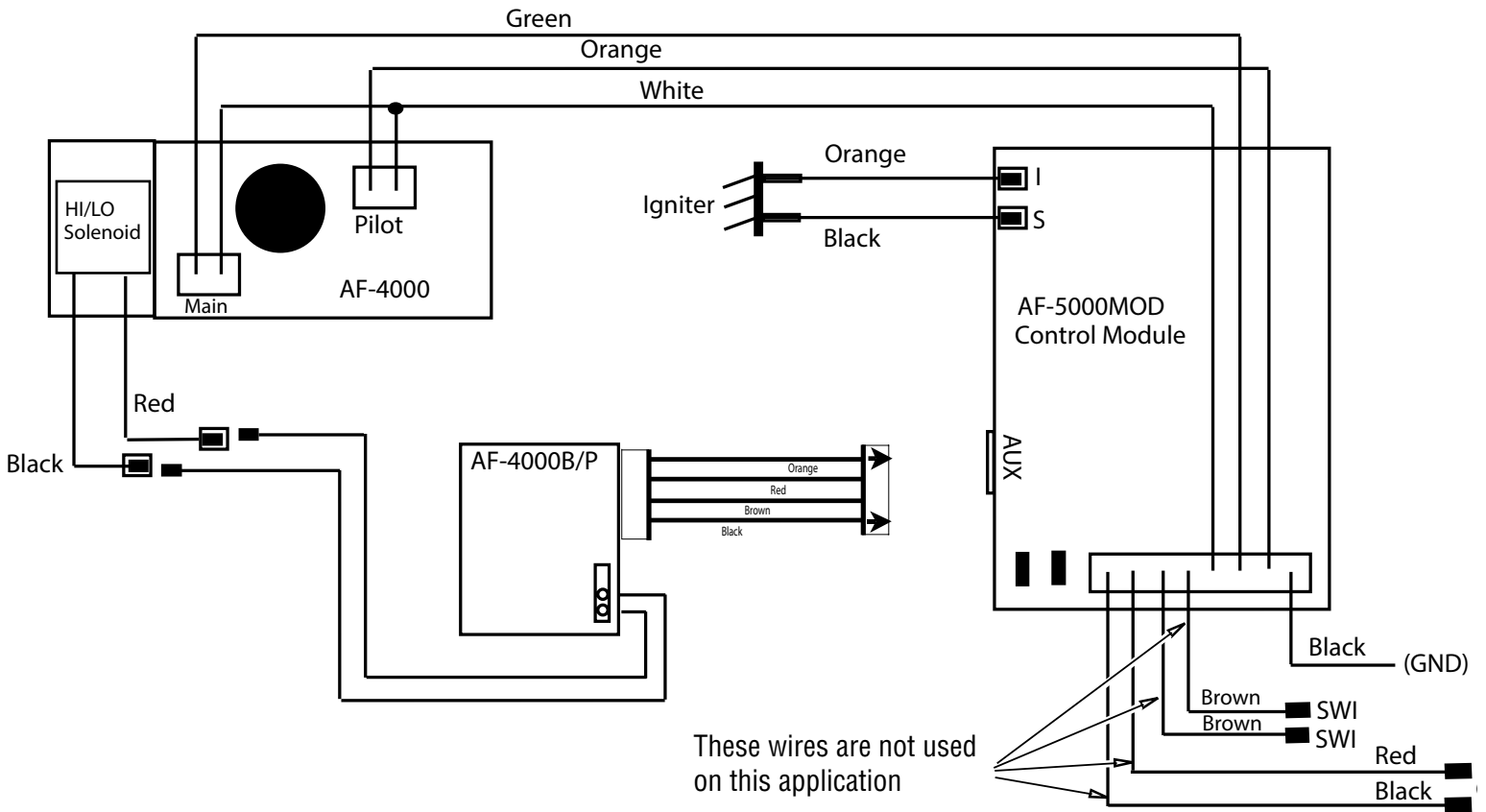
*For purpose of input adjustment

MNF240PE AND MNF300PE

- Rating (Variable): 29,000/40,000 Btu/Hr
- Type Gas: Propane/LP
- Ignition: Electronic
- Manifold Pressure: 10.0" W.C.
- Inlet Gas Pressure (in. of water):
Max - 14" W.C., Min* - 11" W.C.

*For purpose of input adjustment

WIRING DIAGRAM



⚠ CAUTION: Label all wires prior to disconnection when servicing controls. Wiring errors can cause improper and dangerous operation. Verify proper operation after servicing.

TROUBLESHOOTING

⚠ WARNING: Turn off appliance and let cool before servicing. Only a qualified service person should service and repair appliance.

NOTE: All troubleshooting items are listed in order of operation.

| OBSERVED PROBLEM | POSSIBLE CAUSE | REMEDY |
|---|---|---|
| When "ON" button on remote control is pressed, there is no spark at igniter assembly | <ol style="list-style-type: none"> 1. Igniter electrode not connected to igniter cable 2. Igniter cable pinched or wet 3. Broken igniter cable 4. Bad igniter 5. Igniter electrode positioned wrong 6. Igniter electrode broken 7. Battery not installed, battery power low or battery not installed correctly (electronic ignition models only) | <ol style="list-style-type: none"> 1. Reconnect igniter cable 2. Free igniter cable if pinched by any metal or tubing. Keep igniter cable dry 3. Replace igniter 4. Replace igniter 5. Adjust igniter wires as shown in Figure 28 on Page 16. Replace igniter assembly if repositioning does not correct the problem 6. Replace igniter 7. Install new alkaline battery in remote control and battery pack. Verify batteries are installed correctly. (5.4 volts batteries required to operate valve system) |
| When "ON" button on remote control is pressed, there is spark at igniter. but no ignition | <ol style="list-style-type: none"> 1. Gas supply turned off or equipment shutoff valve closed 2. Air in gas lines when installed 3. Depleted gas supply (propane/LP only) 4. Control module not in REMOTE position 5. Gas control valve pressure setting is not correct 6. Inlet gas pressure is too low 7. Burner orifice(s) clogged 8. Wire disconnected from gas control 9. Ground wire issue | <ol style="list-style-type: none"> 1. Turn on gas supply or open equipment shutoff valve 2. Repeat igniting operation until air is removed 3. Contact local propane/LP gas company 4. Set control module to REMOTE position 5. Contact qualified service person to check pressure 6. Contact local natural or propane/LP gas company 7. Clean burner (<i>see <u>Cleaning and Maintenance, Page 17</u></i>) or replace burner orifice(s) 8. See <i>Wiring Diagram, Page 18</i> 9. Verify black ground wire from module is secured under screw adjacent to igniter |

TROUBLESHOOTING *Continued*

| OBSERVED PROBLEM | POSSIBLE CAUSE | REMEDY |
|--|--|--|
| Delayed ignition of burner | <ol style="list-style-type: none"> 1. Manifold pressure is too low 2. Burner orifice clogged | <ol style="list-style-type: none"> 1. Contact local natural or propane/LP gas company 2. Clean burner (<i>see <u>Cleaning and Maintenance, Page 17</u></i>) or replace burner orifice(s) |
| Burner backfiring during combustion | <ol style="list-style-type: none"> 1. Burner orifice is clogged or damaged 2. Damaged burner | <ol style="list-style-type: none"> 1. Clean burner (<i>see <u>Cleaning and Maintenance, Page 17</u></i>) or replace burner orifice 2. Replace damaged burner |
| Slight smoke or odor during initial operation | <ol style="list-style-type: none"> 1. Residues from manufacturing processes and logs curing | <ol style="list-style-type: none"> 1. Problem will stop after a few hours of operation |
| Appliance produces a whistling noise when burners are lit | <ol style="list-style-type: none"> 1. Air in gas line 2. Air passageways on appliance blocked 3. Dirty or partially clogged burner orifice. | <ol style="list-style-type: none"> 1. Operate burners until air is removed from line. Have gas line checked by local natural or propane/LP gas company 2. Observe minimum installation clearances (<i>see <u>Pages 5 through 7</u></i>) 3. Clean burner (<i>see <u>Cleaning and Maintenance, Page 17</u></i>) or replace burner orifice(s) |
| White powder residue forming within burner box or on adjacent walls or furniture | <ol style="list-style-type: none"> 1. When heated, vapors from furniture polish, wax, carpet cleaners, etc. may turn into white powder residue | <ol style="list-style-type: none"> 1. Turn appliance off when using furniture polish, wax, carpet cleaners or similar products |
| Remote does not function | <ol style="list-style-type: none"> 1. Battery is not installed. Battery power is low | <ol style="list-style-type: none"> 1. Replace batteries in battery pack and in hand-held remote |
| Appliance produces a clicking/ticking noise just after burners are lit or shut off | <ol style="list-style-type: none"> 1. Metal expanding while heating or contracting while cooling 2. Igniter Assembly is out of position 3. Wind is disturbing the burner flame and the igniter assembly is relighting the burner 4. Wire connection loose or wire broken | <ol style="list-style-type: none"> 1. This is normal with most appliances. If noise is excessive, contact qualified service person 2. Check igniter position and adjust if needed. See <i>Figure 28, Page 16</i>. 3. Should wind disturb the burner flame, the igniter will automatically spark to relight the burner. This is normal when the appliance is installed outdoors in windy conditions. 4. Check wiring connections (<i>see <u>wiring diagram, Page 18</u></i>). Replace wire harness if necessary. |

TROUBLESHOOTING *Continued*

- ⚠ WARNING: If you smell gas**
- Shut off gas supply.
 - Do not try to light any appliance.
 - Do not touch any electrical switch; do not use any phone in your building.
 - Leave the building immediately
 - Immediately call your gas supplier from a neighbor's phone. Follow the gas supplier's instructions.
 - If you cannot reach your gas supplier, call the fire department.

IMPORTANT: Operating heater where impurities in air exist may create odors. Cleaning supplies, paint, paint remover, cigarette smoke, cements and glues, new carpet or textiles, etc., create fumes. These fumes may mix with combustion air and create odors. These odors will disappear over time.

| OBSERVED PROBLEM | POSSIBLE CAUSE | REMEDY |
|--|---|--|
| Appliance produces unwanted odors | <ol style="list-style-type: none"> 1. Appliance burning vapors from paint, hair spray, glues, cleaners, chemicals, new carpet, etc. (See <i>IMPORTANT</i> statement above) 2. Low fuel supply (propane/LP only) 3. Gas leak. See Warning statement at top of Page | <ol style="list-style-type: none"> 1. Open window to ventilate room. Stop using odor causing products while appliance is running 2. Refill supply tank (propane/LP only) 3. Locate and correct all leaks (<i>see Checking Gas Connections, Page 10</i>) |
| Appliance shuts off in use | <ol style="list-style-type: none"> 1. Low line pressure | <ol style="list-style-type: none"> 1. Contact local natural or propane/LP gas company |
| Gas odor even when control knob is in OFF position | <ol style="list-style-type: none"> 1. Gas leak. See Warning statement at top of Page 2. Control valve or gas control defective | <ol style="list-style-type: none"> 1. Locate and correct all leaks (<i>see Checking Gas Connections, Page 10</i>) 2. Replace control valve or gas control |
| Module makes 4 beeps every 2 seconds | <ol style="list-style-type: none"> 1. The module's internal temperature is too high | <ol style="list-style-type: none"> 1. Check to see the minimum fireplace size requirements are met, Page 6 |
| Module makes one beep every one second | <ol style="list-style-type: none"> 1. The burner did not successfully ignite | <ol style="list-style-type: none"> 1. Press OFF then ON buttons to re-attempt ignition. Refer to "When "on" button on remote control is pressed, there is spark at igniter but no ignition" on Page 19 |
| Gas odor during combustion | <ol style="list-style-type: none"> 1. Gas leak. See Warning statement at top of Page | <ol style="list-style-type: none"> 1. Locate and correct all leaks (<i>see Checking Gas Connections, Page 10</i>) |

REPLACEMENT PARTS

See **Pages 23-25** for a complete replacement parts list. Use only parts supplied from the manufacturer.

Normally, all parts should be ordered through your IHP distributor or dealer. Parts will be shipped at prevailing prices at time of order.

When ordering repair parts, always give the following information:

1. The model number of the appliance.
2. The serial number of the appliance.
3. The part number.
4. The description of the part.
5. The quantity required.
6. The installation date of the appliance.

If you encounter any problems or have any questions concerning the installation or application of this appliance, please contact your dealer.

IHP

1769 East Lawrence Street

Russellville, AL 35654

Visit us at SuperiorFireplaces.us.com

SERVICE HINTS

When Gas Pressure Is Too Low

- pilot will not stay lit
- burners will have delayed ignition
- appliance will not produce specified heat
- propane/LP gas supply may be low

You may feel your gas pressure is too low. If so, contact your local propane/LP or natural gas supplier.

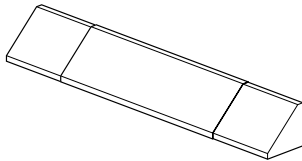
TECHNICAL SERVICE

You may have further questions about installation, operation, or troubleshooting. Please contact your IHP dealer for any questions or concerns. When contacting your dealer please have your model and serial numbers of your appliance ready. You can also visit our web site at SuperiorFireplaces.us.com.

ACCESSORIES

Purchase these appliance accessories from your local dealer. If they can not supply these accessories, contact IHP at SuperiorFireplaces.US.com for referral information. You can also write to the address listed on the back of this manual.

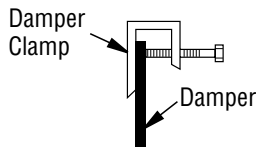
Only kits supplied by IHP shall be used in the installation of this appliance. Use of non-approved accessory/part kit(s) can result in poor performance and safety hazards.



FIREPLACE HOOD, BLACK

Cat. No. F1764, Model GA6050

For all models. Helps deflect heat away from mantel or wall above fireplace. Fits openings 28" to 48" wide.



DAMPER CLAMP

Cat No. F1760, Model GA6080

For all models. Permanently opens chimney flue damper for vented operation.



VOLCANIC STONE

Cat. No. 80L42, Model FDVS

For all models. Order when additional volcanic stone is desired.



MAGNIFLAME ACCESSORY LOG KIT

Cat. No. F0252, Model LAMF



MAGNIFLAME EMBER BURNER KIT

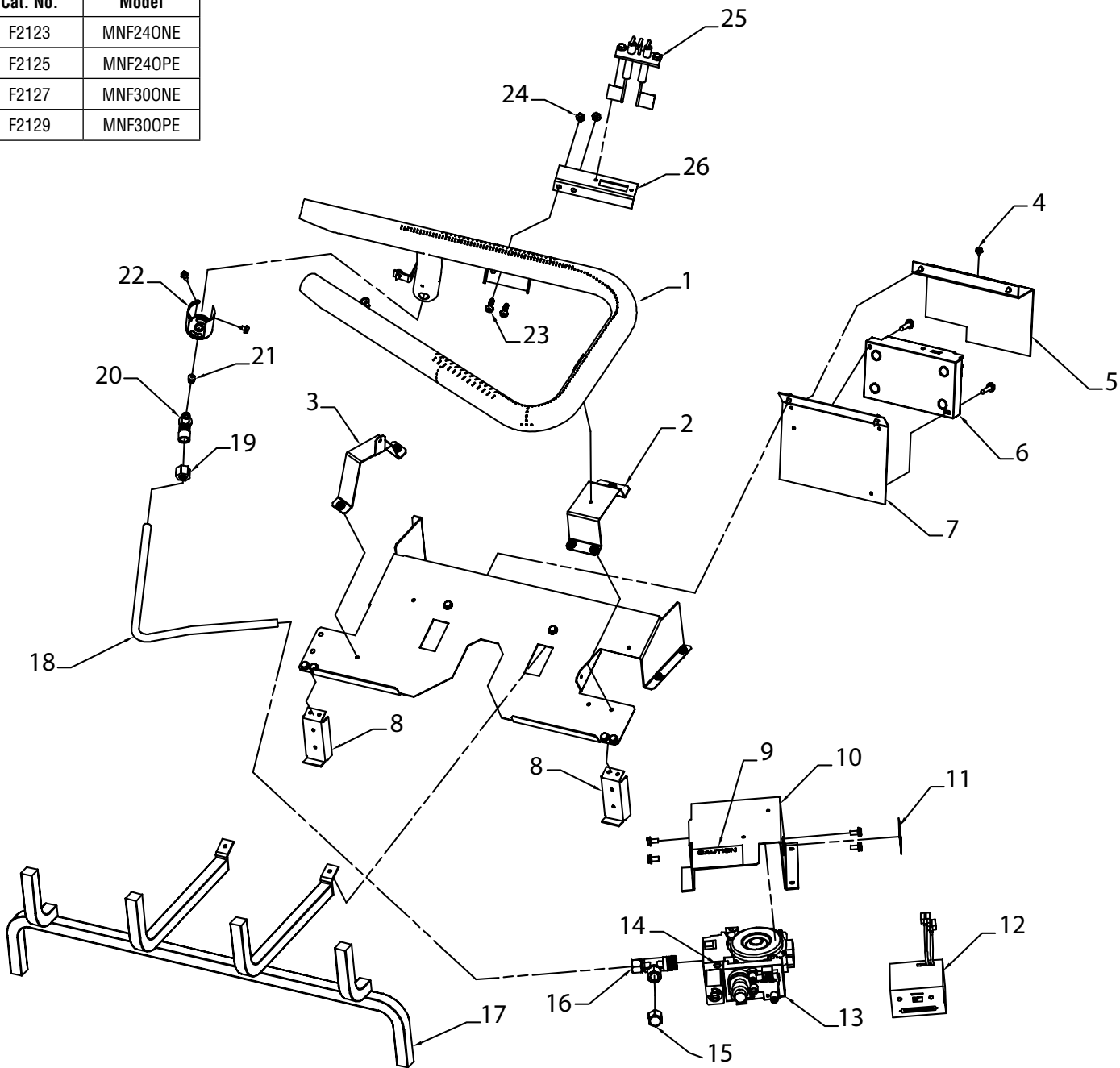
Cat No. F0253 (optional), Model MFEB

For wood burning fireplace.

**PARTS
MODELS**
MNF240NE, MNF240PE, MNF300NE AND MNF300PE

⚠ WARNING: Failure to position the parts in accordance with these diagrams or failure to use only parts specifically approved with this heater may result in property damage or personal injury.

| Cat. No. | Model |
|----------|----------|
| F2123 | MNF240NE |
| F2125 | MNF240PE |
| F2127 | MNF300NE |
| F2129 | MNF300PE |



PARTS

MNF24ONE, MNF24OPE, MNF30ONE AND MNF30OPE

This list contains replaceable parts used in your appliance. When ordering parts, follow the instructions listed under [Replacement Parts](#) on **Page 22** of this manual.

⚠ WARNING: Contact an IHP dealer to obtain any of these parts. Never use substitute materials not approved by IHP. Use of non-approved parts can result in poor performance and safety hazards.

| KEY NO. | CAT. NO. | DESCRIPTION | MNF24ONE | MNF24OPE | MNF30ONE | MNF30OPE | QTY. |
|---------|----------|------------------------------------|----------|----------|----------|----------|------|
| 1 | J7992 | Burner Stainless MF | • | • | • | • | 1 |
| 2 | J8175 | Bracket Right Burner | • | • | • | • | 1 |
| 3 | J8176 | Bracket Left Burner | • | • | • | • | 1 |
| 4 | J1957 | Screw, HWH AB 8-18 X .25 | • | • | • | • | 1 |
| 5 | J8242 | Shield, Control Board | • | • | • | • | 1 |
| 6 | J6547 | Board, Skytech AF-5000MOD Main | • | • | • | • | 1 |
| 7 | J8241 | Bracket, Control Board | • | • | • | • | 1 |
| 8 | J8236 | Leg Outdoor MF Base | • | • | • | • | 2 |
| 9 | J8170 | Decal, Caution 2.5 x 1.75 | • | • | • | • | 1 |
| 10 | J8240 | Bracket, Electronic Remote Valve | • | • | • | • | 1 |
| 11 | J8171 | Label, Regulator | • | • | • | • | 1 |
| 12 | J6550 | Pack, Battery Power | • | • | • | • | 1 |
| 13 | J6361 | Valve Skytech AF-4004 | • | • | • | • | 1 |
| 14 | J8243 | Screw, 0 Min Rate Skytech | • | • | • | • | 1 |
| | J8244 | Screw, 00 Min Rate Skytech | • | • | • | • | 1 |
| 15 | J8238 | Cap, 3/8 Compression | • | • | • | • | 1 |
| 16 | J4833 | T-Fitting Brass 3/8 Tube x 3/8 NPT | • | • | • | • | 1 |
| 17 | J6532 | Grate MF42 Stainless Steel | • | • | • | • | 1 |
| | J8237 | Grate MF48 Stainless Steel | • | • | • | • | 1 |
| 18 | J4711 | Flextube Dormont 3/8 X 15" | • | • | • | • | 1 |
| 19 | J4733 | Brass Compression Cap/Slv 3/8 | • | • | • | • | 1 |
| 20 | J6127 | Orifice Holder, 90 Degree Elbow | • | • | • | • | 1 |
| 21 | J3604 | Orifice, .120 | • | • | • | • | 1 |
| | J3615 | Orifice, .070 | • | • | • | • | 1 |
| 22 | J5198 | Shutter Air | • | • | • | • | 1 |
| | J5199 | Shutter Air | • | • | • | • | 1 |
| 23 | J8173 | Screw Blk Pan HD PH 10-24 X 3/4" | • | • | • | • | 2 |
| 24 | J8172 | Nut, Hex 10-24 Blk. Finish | • | • | • | • | 2 |
| 25 | J6548 | Assembly, Igniter and Flame Rod | • | • | • | • | 1 |
| 26 | J6546 | Bracket, Flame Rod | • | • | • | • | 1 |

This list contains replaceable parts used in your appliance. When ordering parts, follow the instructions listed under [Replacement Parts](#) on **Page 22** of this manual.

PARTS AVAILABLE, NOT SHOWN - ALL MODELS

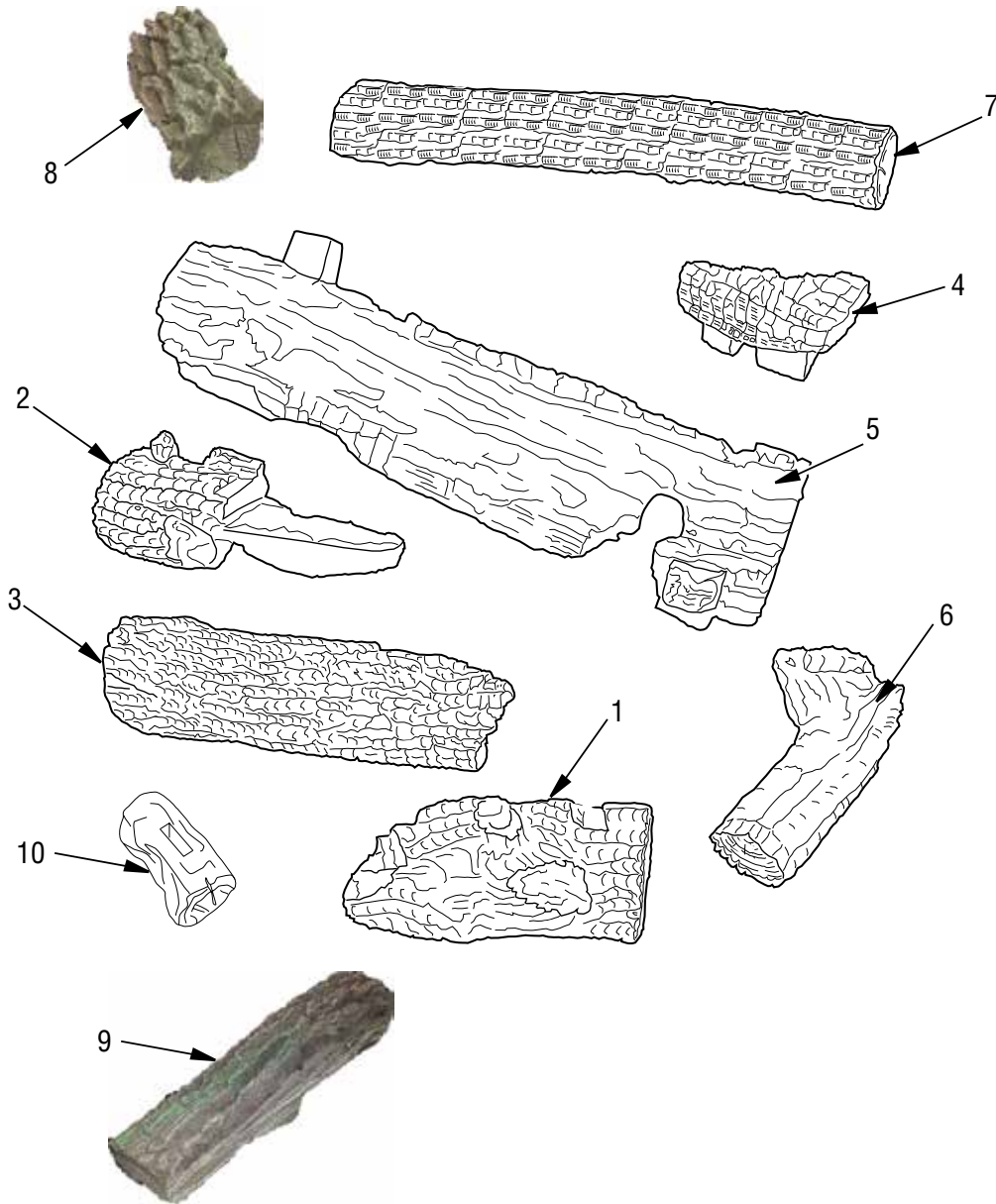
| | | |
|-------|-----------------------|---|
| J3664 | Caution Decal | 1 |
| J3689 | Hardware Kit | 1 |
| 80L42 | Volcanic Stone | 1 |
| J5519 | Flextube with Fitting | 1 |
| J3656 | Fan Switch | 1 |
| J6549 | Remote Control | 1 |

PARTS

LOG SET MODELS

LMF24GTA/B, LMF30GTA/B AND LMF36GTA/B

This list contains replaceable parts used in your appliance. When ordering parts, follow the instructions listed under Replacement Parts on **Page 22** of this manual.



| KEY NO. | LMF24MOA/B | | LMF30MOA/B | | LMF36MOA/B | | DESCRIPTION | QTY. |
|---------|------------|-----------|------------|-----------|------------|-----------|----------------------------|------|
| | CAT. NO. | Log Id. # | CAT. NO. | Log Id. # | CAT. NO. | Log Id. # | | |
| 1 | J8245 | D-061 | J8253 | D-019 | J8259 | D-027 | Log, Front Right | 1 |
| 2 | J8246 | D-060 | J8254 | D-018 | J8260 | D-026 | Log, Back Left | 1 |
| 3 | J8247 | D-059 | J8255 | D-017 | J8261 | D-025 | Log, Front Left | 1 |
| 4 | J6519 | D-020 | J6519 | D-020 | J6519 | D-020 | Log, Charred | 1 |
| 5 | J8248 | D-063 | J8256 | D-021 | J8262 | D-028 | Log, Middle Split | 1 |
| 6 | J8249 | D-022 | J8257 | D-022 | J8263 | D-022 | Log, Right Split Crossover | 1 |
| 7 | J8249 | D-062 | J8258 | D-023 | J8264 | D-029 | Log, Back Top | 1 |
| 8 | J8251 | D-080 | J8251 | D-080 | J8251 | D-080 | Log, Top Left | 1 |
| 9 | J8252 | D-081 | J8252 | D-081 | J8252 | D-081 | Log, Top Right | 1 |
| 10 | F2676 | None | F2676 | None | F2676 | None | Log Switch | 1 |

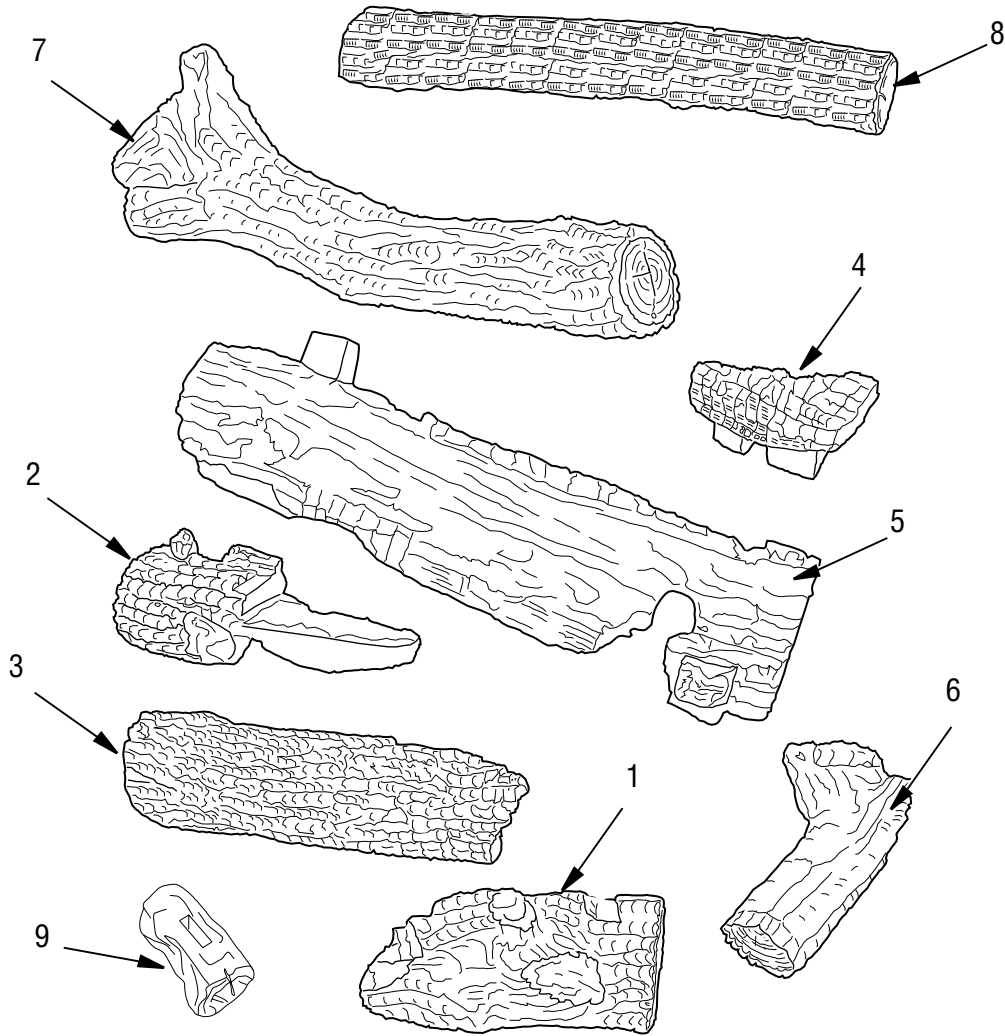
Each log includes a reference number. The first number indicates the order it is placed on the burner assembly. The next two numbers indicate the set size.

PARTS

LOG SET MODELS

LMF24MOA/B, LMF30MOA/B, AND LMF36MOA/B

This list contains replaceable parts used in your appliance. When ordering parts, follow the instructions listed under *Replacement Parts* on **Page 22** of this manual.



| KEY NO. | LMF24MOA/B | | LMF30MOA/B | | LMF36MOA/B | | DESCRIPTION | QTY. |
|---------|------------|------------|------------|------------|------------|------------|----------------------------|------|
| | CAT. NO. | LOG ID NO. | CAT. NO. | LOG ID NO. | CAT. NO. | LOG ID NO. | | |
| 1 | J6696 | D-061 | J6516 | D-019 | J6527 | D-027 | Log, Front Right | 1 |
| 2 | J6697 | D-060 | J6517 | D-018 | J6528 | D-026 | Log, Back Left | 1 |
| 3 | J6698 | D-059 | J6518 | D-017 | J6529 | D-025 | Log, Front Left | 1 |
| 4 | J6519 | D-020 | J6519 | D-020 | J6519 | D-020 | Log, Charred | 1 |
| 5 | J6699 | D-063 | J6520 | D-021 | J6530 | D-028 | Log, Middle Split | 1 |
| 6 | J6521 | D-022 | J6521 | D-022 | J6521 | D-022 | Log, Right Split Crossover | 1 |
| 7 | J6522 | D-024 | J6522 | D-024 | J6522 | D-024 | Log, Front Top | 1 |
| 8 | J6700 | D-062 | J6523 | D-023 | J6531 | D-029 | Log, Back Top | 1 |
| 9 | J6496 | None | J6496 | None | J6496 | None | Log Switch | 1 |

Each log includes a reference number. The first number indicates the order it is placed on the burner assembly. The next two numbers indicate the set size.

Innovative Hearth Products Superior® Brand Gas Log Set Limited Three Year Warranty

THE WARRANTY

Innovative Hearth Products Limited Three Year Warranty ("IHP") warrants your Superior® brand Gas Log Set ("Product") to be free from defects in materials and workmanship at the time of manufacture. The logs and grate carry the Limited Three Year Warranty. After installation, if covered components manufactured by IHP are found to be defective in materials or workmanship during the Limited Three Year Warranty period and while the Product remains at the site of the original installation, IHP will, at its option, repair or replace the covered components. If repair or replacement is not commercially practical, IHP will, at its option, refund the purchase price or wholesale price of the IHP product, whichever is applicable. IHP will also pay IHP prevailing labor rates, as determined in its sole discretion, incurred in repairing or replacing such components. THERE ARE EXCLUSIONS AND LIMITATIONS to this Limited Three Year Warranty as described herein.

COVERAGE COMMENCEMENT DATE

Warranty coverage begins on the date of purchase. In the case of new home construction, warranty coverage begins on the date of first occupancy of the dwelling or six months after the sale of the Product by an independent IHP dealer, whichever occurs earlier. The warranty shall commence no later than 24 months following the date of product shipment from IHP, regardless of the installation or occupancy date.

EXCLUSIONS AND LIMITATIONS

This Limited Three Year Warranty applies only if the Product is installed in the United States or Canada and only if operated and maintained in accordance with the printed instructions accompanying the Product and in compliance with all applicable installation and building codes and good trade practices.

This warranty is non-transferable and extends to the original owner only. The Product must be purchased through a listed supplier of IHP and proof of purchase must be provided. The following do not carry the Limited Three Year Warranty but are warranted as follows:

- Gas components** – Repair or replacement for one year from the date of installation.
- Remote control** – Repair or replacement for one year from the date of installation.
- Labor coverage** – Prevailing IHP labor rates apply for the warranty period of the component.

Parts not otherwise listed carry a 90 day warranty from the date of installation.

Whenever practicable, IHP will provide replacement parts, if available, for a period of 10 years from the last date of manufacture of the product.

IHP will not be responsible for: (a) damages caused by normal wear and tear, accident, riot, fire, flood or acts of God; (b) damages caused by abuse, negligence, misuse, or unauthorized alteration or repair of the Product affecting its stability or performance (The Product must be subjected to normal use. The Product is designed to burn either natural or propane gas only. Burning conventional fuels such as wood, coal or any other solid fuel will cause damage to the Product, will produce excessive temperatures and could result in a fire hazard.); (c) damages caused by failing to provide proper maintenance and service in accordance with the instructions provided with the Product; (d) damages, repairs or inefficiency resulting from faulty installation or application of the Product.

This Limited Three Year Warranty covers only parts and labor as provided herein. In no case shall IHP be responsible for materials, components or construction which are not manufactured or supplied by IHP or for the labor necessary to install, repair or remove such materials, components or construction. Additional utility bills incurred due to any malfunction or defect in equipment are not covered by this warranty. All replacement or repair components will be shipped F.O.B. from the nearest stocking IHP factory.

LIMITATION ON LIABILITY

It is expressly agreed and understood that IHP's sole obligation and the purchaser's exclusive remedy under this warranty, under any other warranty, expressed or implied, or in contract, tort or otherwise, shall be limited to replacement, repair, or refund, as specified herein.

In no event shall IHP be liable for any incidental or consequential damages caused by defects in the Product, whether such damage occurs or is discovered before or after replacement or repair, and whether such damage is caused by IHP's negligence. IHP has not made and does not make any representation or warranty of fitness for a particular use or purpose, and there is no implied condition of fitness for a particular use or purpose.

IHP makes no expressed warranties except as stated in this Limited Three Year Warranty. The duration of any implied warranty is limited to the duration of this expressed warranty.

No one is authorized to change this Limited Three Year Warranty or to create for IHP any other obligation or liability in connection with the Product. Some states and provinces do not allow the exclusion or limitation of incidental or consequential damages, so the above limitations or exclusions may not apply to you. The provisions of this Limited Three Year Warranty are in addition to and not a modification of or subtraction from any statutory warranties and other rights and remedies provided by law.

INVESTIGATION OF CLAIMS AGAINST WARRANTY

IHP reserves the right to investigate any and all claims against this Limited Three Year Warranty and to decide, in its sole discretion, upon the method of settlement.

To receive the benefits and advantages described in this Limited Three Year Warranty, the appliance must be installed and repaired by a licensed contractor approved by IHP.

Contact IHP at the address provided herein to obtain a listing of approved dealers/distributors. **IHP shall in no event be responsible for any warranty work done by a contractor that is not approved without first obtaining IHP's prior written consent.**

HOW TO REGISTER A CLAIM AGAINST WARRANTY

In order for any claim under this warranty to be valid, you must contact the IHP dealer/distributor from which you purchased the product. If you cannot locate the dealer/distributor, then you must notify IHP in writing. IHP must be notified of the claimed defect in writing within 90 days of the date of failure. Notices should be directed to the IHP Warranty Department at 1769 East Lawrence Street; Russellville, AL 35654 or visit our website at WWW.SUPERIORFIREPLACES.US.COM.

SuperiorFireplaces.us.com

Record the following important information about your appliance:

| | |
|------------------------------|--|
| Appliance model number | |
| Appliance serial number | |
| Date appliance was Installed | |
| Type of gas appliance uses | |
| Dealer name | |

Innovative Hearth Products (IHP) reserves the right to make changes at any time, without notice, in design, materials, specifications, prices and also to discontinue colors, styles and products. Consult your local distributor for fireplace code information.

Printed in U.S.A. © 2015 Innovative Hearth Products
P/N 900464-01 Rev. C 11/2019



1769 East Lawrence Street • Russellville, AL 35654