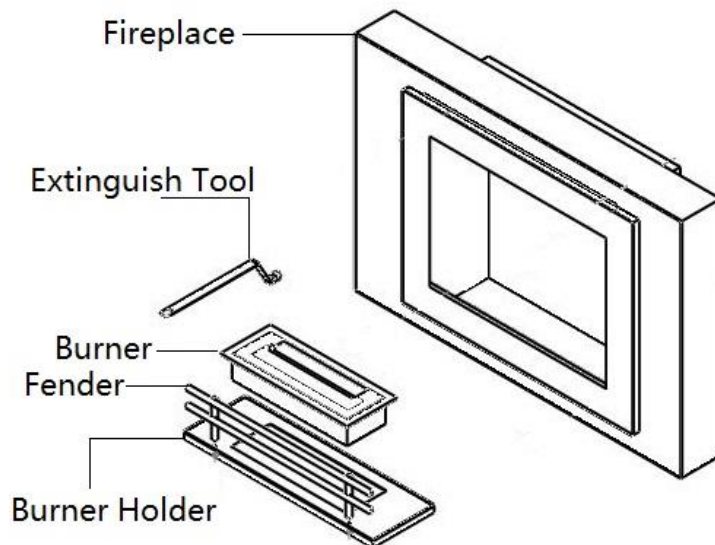
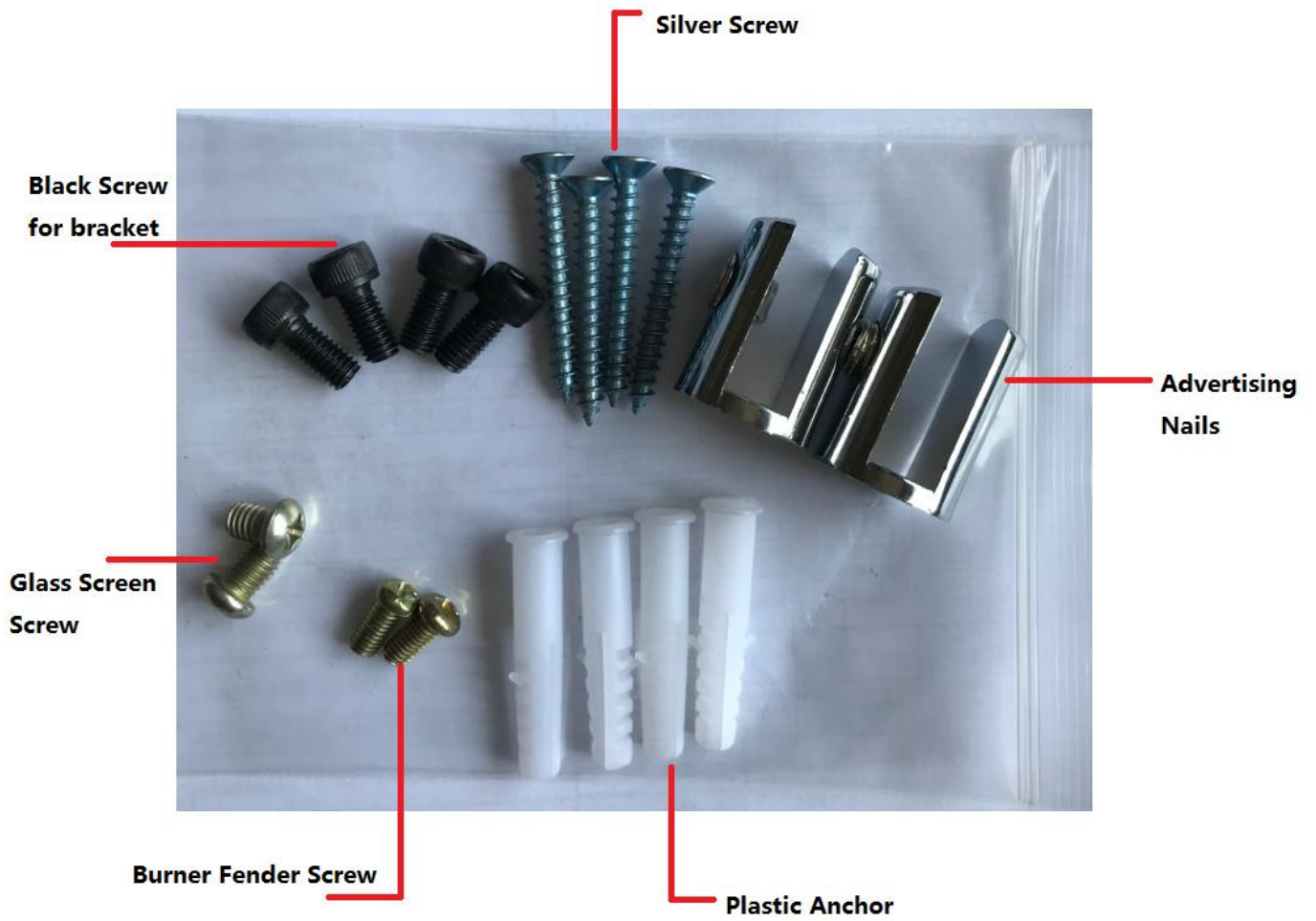


the
bio  Flame

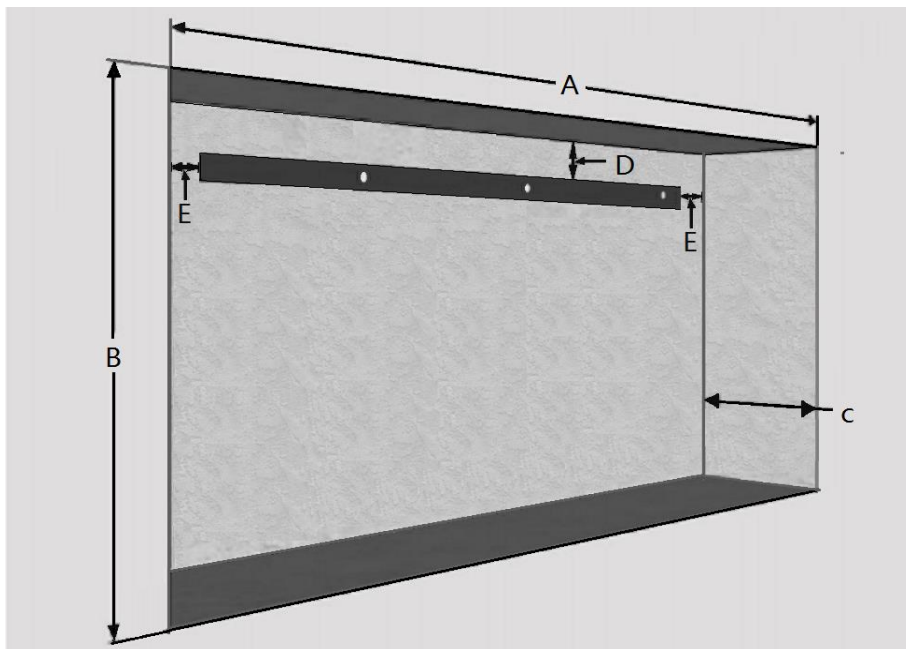
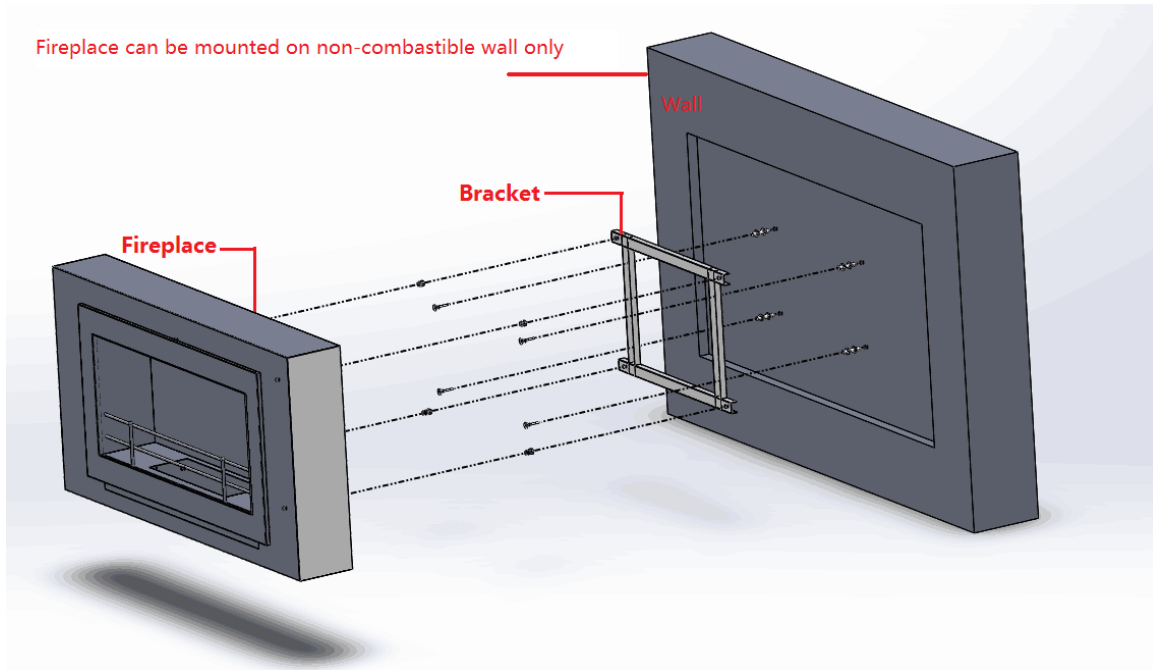


Assembly Illustration – Lorenzo
Fireplace Accessories Introduction



Installation Instructions

The fireplace must only be installed on a solid wall of non-combustible material.

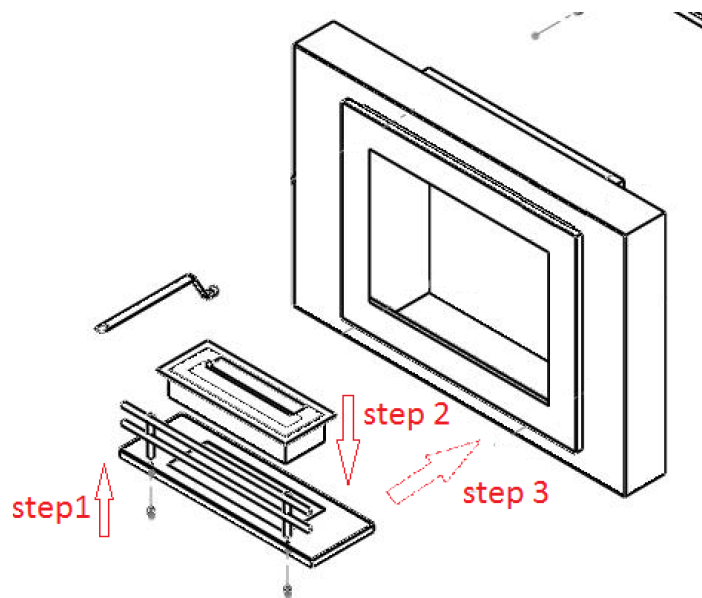


Cavity Dimension For Recessed Type

A	B	C	D	E
31 1/10 inch (790mm)	19 1/2 inch (495.4mm)	6 inch(154mm)	1 3/10 inch (33mm)	4 5/7 inch (120mm)

The Lorenzo Fireplace can be installed directly on the wall simply by mounting the bracket and hanging the fireplace on it.

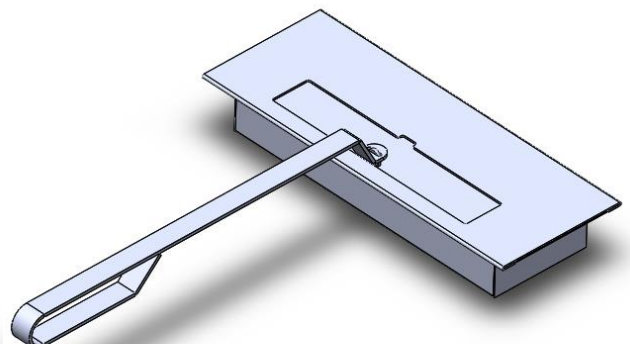
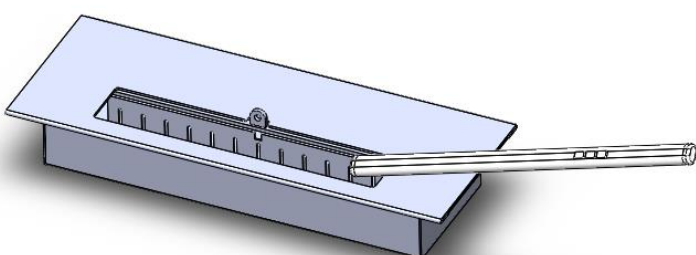
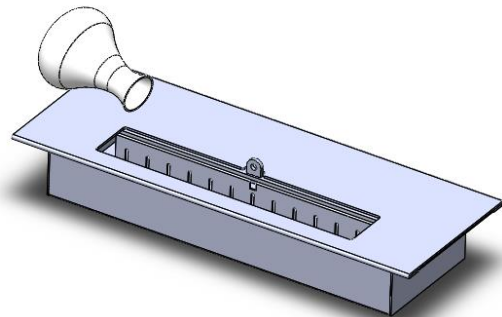
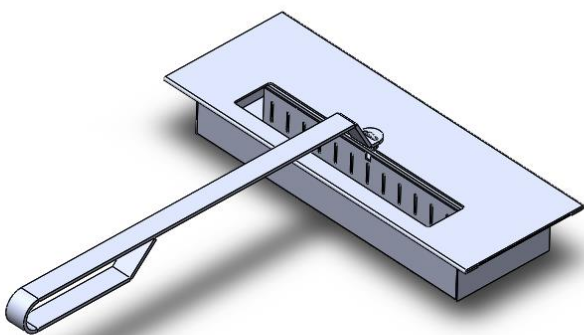
1. Align the brackets on the wall where you plan to install the fireplace and mark the drill point through the holes on brackets.
2. Drill the holes with 1/4 inch drill bit.
3. Insert plastic anchor in the holes
4. Align Mounting Bracket according to the holes with plastic anchor.
5. Insert silver screw into the anchor one by one
6. Align fireplace on top of the bracket slightly to the left and slide it to the right.
7. Insert black screw into screw hole of mounting brackets via holes on fireplace



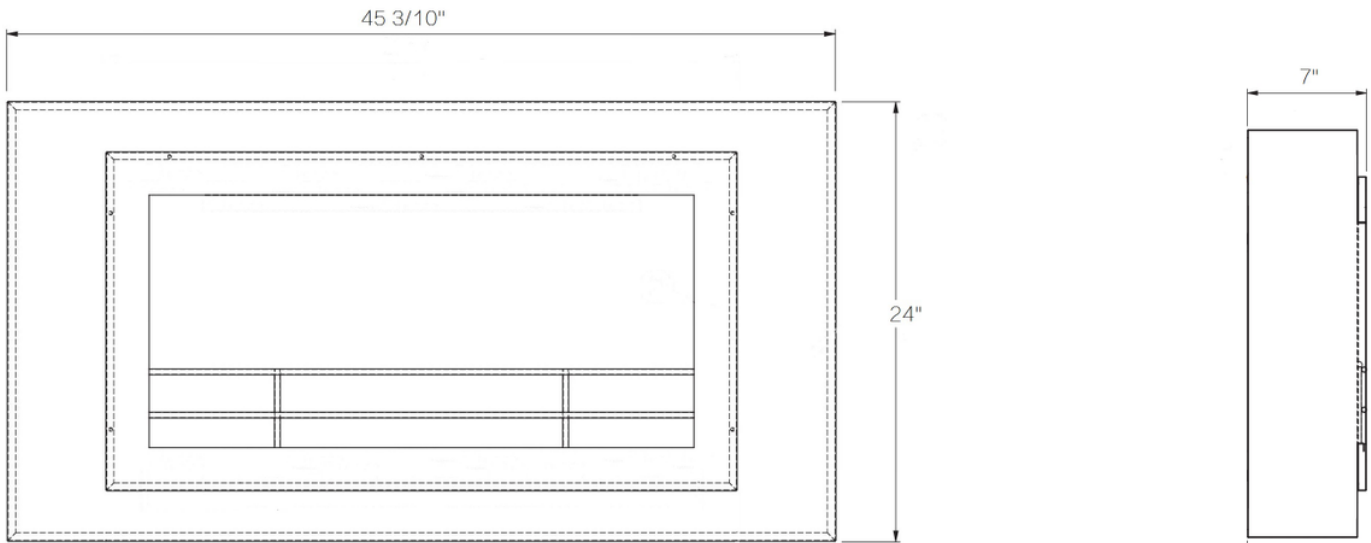
8. Clamping small screws by connecting fender and burner holder
9. Insert the burner into holder and put all them together into fireplace
10. The fireplace is ready to be used.

Operation Instruction

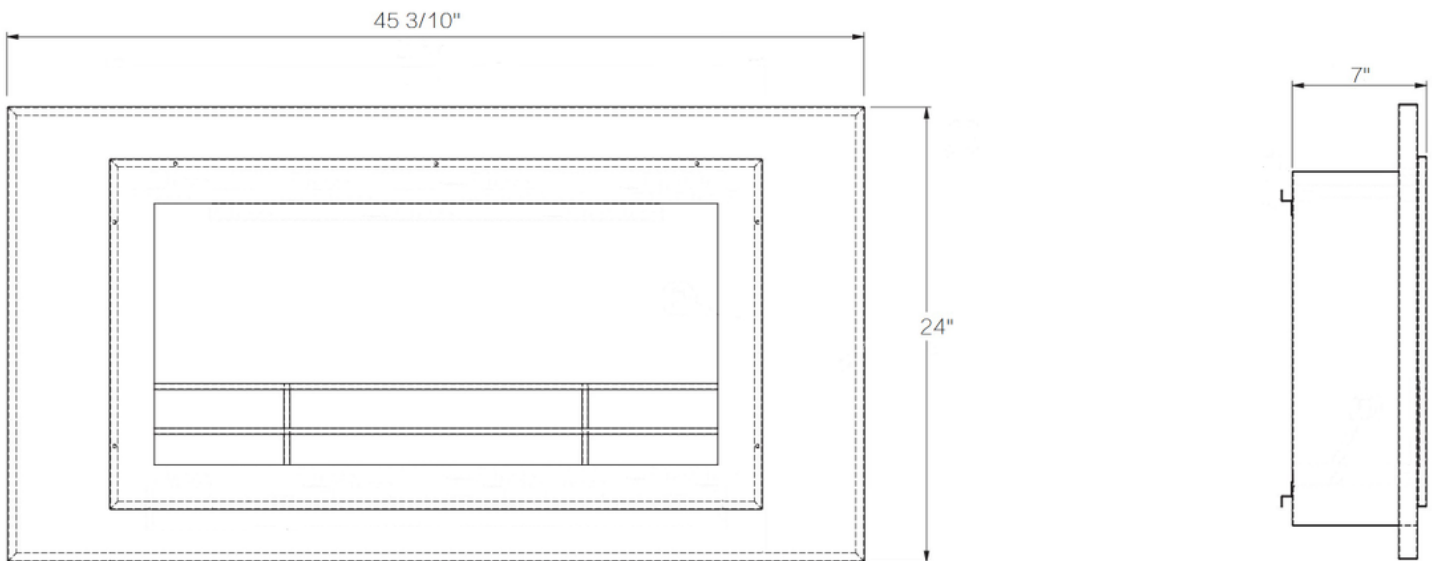
1. Adjust the sliding lid to its widest opening by using lighting rod.
2. Fill the burner with ethanol by using the PP funnel. Watch carefully till you reach under the level of "max" lid. Do not overfill or spill.
3. Use the top end of lighting rod dip some fuel and light it with electronic gas lighter .
4. Put the lighting rod into the burning chamber of fireplace to light the burner.



Lorenzo Fireplace Dimensions (Wall Mounted)



Lorenzo Fireplace Dimensions (Recessed)



User' s manual and Safety Instructions

of The Bio Flame Fireplace

Keep this user' s manual carefully for the life of this product .This product is only sold in combination with it' s user' s manual.

Please read bellow instructions before putting your The Bio Flame to use. Make sure the guideline as provided are followed.

The Bio Flame is meant for indoor/outdoor use. The recommended temperature radius: 10 °C/50 °F until 25 °C/77 °F

Installation of the wall mount series:

- The Bio Flame is to be placed or hung on a fireproof foundation or wall.
- When attaching to a wall, we advise you to keep a safety distance of 1 cm from the wall. N
- Never remove the isolation layer on the backside.
- Make sure that The Bio Flame is leveled when placed/hung horizontally as well as vertically. This is to make sure that

the liquid can not run out of the burner.

- Keep a safety distance of at least 1 meter (on both the left-, right- and front side) for objects. Keep flammable objects (eg curtains, furniture or bookshelves) away from The Bio Flame.
- Do not place The Bio Flame next to underneath, or on top of a windowsill.
- Use The Bio Flame only in a draft-free room, otherwise soot can come into being. However, make sure that there is some form of ventilation.
- The Bio Flame delivers its own unique fuel: The Bio Flame bio ethanol. The Bio Flame can only function optimally in the combination with this bio ethanol. Never use another liquid or gel to refill The Bio Flame. As a consequence, the warranty will expire as well.

Installation of floor level The Bio Flame Fireplaces:

- Make sure Bio Flame is kept at least 20 inches away from furniture and other obstructions.
- Keep pets and small children away from The Bio Flame when operating.

Installation in an existing fireplace:

- Place The Bio Flame in the therefore appointed space (make sure this is leveled). Minimum distance necessary from the top of the burner: 50 cm for the big burner and 30 cm for the small burner.

Installation of the log set/pebbles

- The Bio Flame has developed a special ceramic log set and pebbles for decoration purposes of The Bio Flame. Place these around the fire opening (the white ceramic brick) of the burner. The fire opening should be remained free. When the decoration material is placed in the flames, unnecessary soot will be formed. Do not touch decoration material until this has cooled down for at least 30 minutes.
- Never use any other decoration material for The Bio Flame besides The Bio Flame ceramic log set or pebbles.

Filling The Bio Flame with The Bio Flame bio ethanol

- Use The Bio Flame bio ethanol ONLY to fill The Bio Flame
- It is of great importance that the liquid never runs outside the filling opening. Make sure to fill The Bio Flame carefully and slowly, so it can not be overfilled.

How to fill The Bio Flame

- Place the enclosed funnel in the filling-open.
- Carefully pour The Bio Flame ethanol in the funnel. Keep on filling the burner until the liquid remains visible in the filling-opening.
- Warning: Make sure that the liquid does not flow outside the filling-opening, make sure this is dried before lighting the fire. There should never be fire outside the fire-opening. This is dangerous and can also cause the insert to de-shape and damage the paint on the insert.
- Fill no more than 2/3 of the way to prevent overflow.
- When The Bio Flame is filled, remove the funnel.
- The Bio Flame is ready to be used.



Important!!!

If you do not burn the Methylated Spirits until empty then you must not add more Methylated Spirits to the burner OR re-ignite the burner until it has cooled to room temperature. When there is no more fuel, the fire will go out with nothing to clear or clean ready to be re-started when cooled.