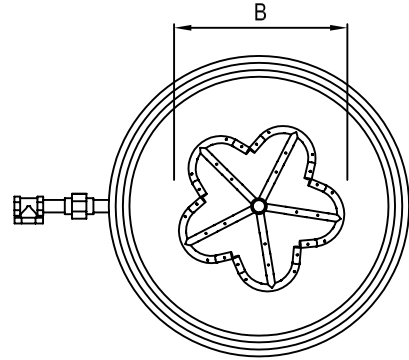
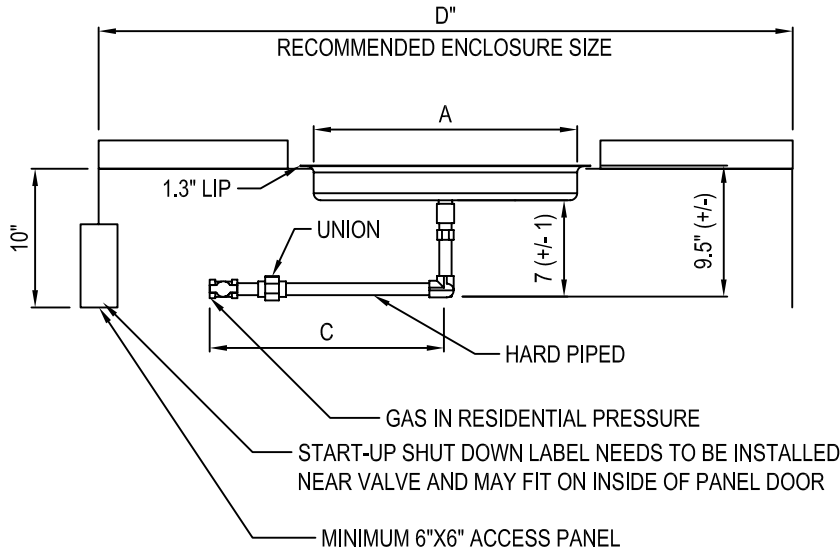


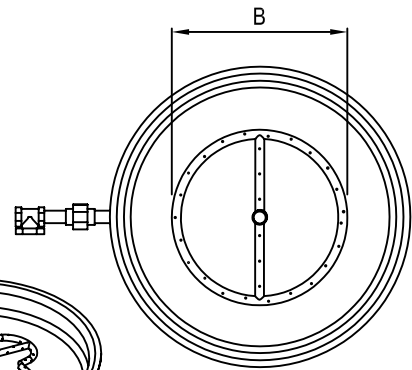
HEARTH PRODUCTS CONTROLS  
 3050 PLAINFIELD RD.  
 KETTERING, OH 45432  
 TOLL FREE: 1-877-433-7001  
 PHONE: (937) 433-7000  
 FAX: (937) 433-0704  
 www.hpcfired.com

# Hearth Products Controls Co

## CSA CERTIFIED-OUTDOOR USE ONLY

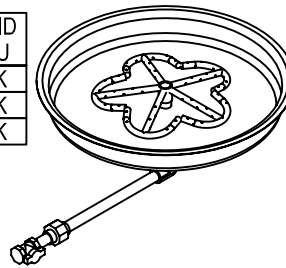


PENTA BURNER OPTION



ROUND BURNER OPTION

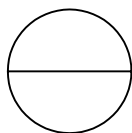
| PART NUMBERS | STND | DIMENSION CHARTS |    |    |    | PART NUMBERS | STND |
|--------------|------|------------------|----|----|----|--------------|------|
|              |      | A"               | B" | C" | D" |              |      |
| PENTA13MLFPK | 65K  | 13               | 12 | 17 | 45 | MLFPK13      | 65K  |
| PENTA19MLFPK | 65K  | 19               | 12 | 17 | 45 | MLFPK19      | 65K  |
| PENTA25MLFPK | 65K  | 25               | 18 | 22 | 54 | MLFPK25      | 65K  |



ISOMETRIC VIEW

**NOTES:**

- FOR USE WITH FIXED PIPING SYSTEMS ONLY.
- NOT FOR USE WITH SMALL TANKS
- ALL ENCLOSURES REQUIRE 2 EACH 18 SQ/IN VENTS ON OPPOSING SIDES AND ADEQUATE DRAINAGE.
- RESIDENTIAL GAS PRESSURE ONLY
- MODIFICATION OF PRODUCT WILL VOID ANY CERTIFICATION AND WARRANTY.
- FOLLOW ALL MANUFACTURER INSTALLATION INSTRUCTIONS AND LOCAL CODES.
- ALL DIMENSIONS ARE CONSIDERED TRUE AND REFLECT MANUFACTURER'S SPECIFICATIONS AS OF THIS REVISION DATE.
- DO NOT SCALE DRAWING.
- THESE DRAWINGS ARE FOR SIZING AND PLANNING PURPOSES. ALL INFORMATION CONTAINED HEREIN WAS CURRENT AT THE TIME OF DEVELOPMENT. THE MANUFACTURER IS RESPONSIBLE FOR THE ACCURACY OF THE DRAWING
- CONTRACTOR'S NOTE: FOR PRODUCT AND COMPANY INFORMATION VISIT [www.CADdetails.com/info](http://www.CADdetails.com/info) REFERENCE NUMBER 771-009.



## MATCH LIT FIRE PIT INSERT

MATCH LIT BOWL ROUND PAN