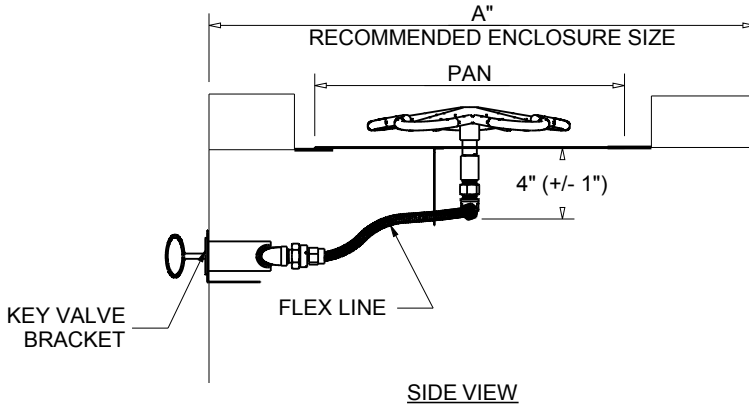


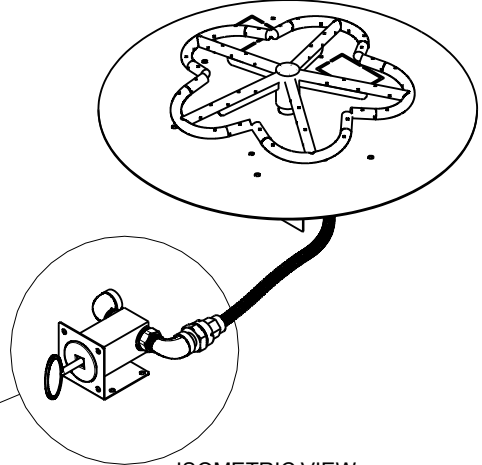


Hearth Products Controls Co
UL CERTIFIED-OUTDOOR USE ONLY
FOR COMMERCIAL AND RESIDENTIAL USE

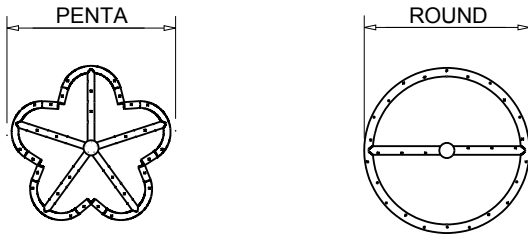
HEARTH PRODUCTS CONTROLS
 3050 PLAINFIELD RD.
 KETTERING, OH 45432
 TOLL FREE: 1-877-433-7001
 PHONE: (937) 433-7000
 FAX: (937) 433-0704
 www.hpcfire.com



BRACKET DETAIL

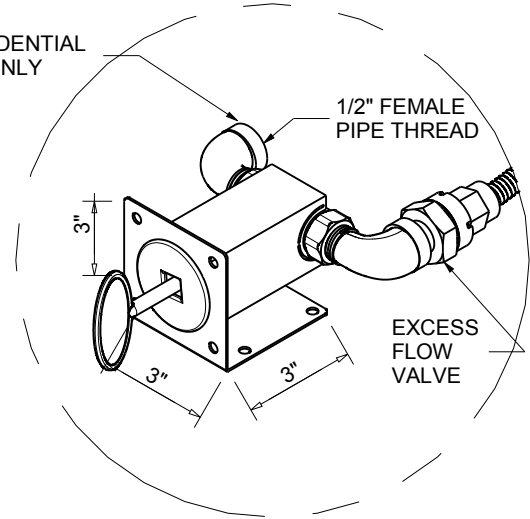


ISOMETRIC VIEW



BURNERS

GAS IN: RESIDENTIAL
 PRESSURE ONLY



BRACKET DETAIL

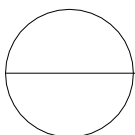
MATERIAL: 304 STAINLESS STEEL

PART NUMBERS	DIMENSION CHART						
	PAN	BURNER 1		BURNER 2		A"	STND FLEX LINE LENGTH
PENTA BURNER		SIZE	BTU	SIZE	BTU		
PENTA14MLFPK-FLEX	13.75"	12"	65K	-	-	45"	36"
PENTA18MLFPK-FLEX	17.75"	12"	65K	-	-	45"	36"
PENTA24MLFPK-FLEX	23.75"	18"	65K	12"	65K	54"	36"
PENTA30MLFPK-FLEX	29.75"	18"	65K	12"	65K	54"	36"

PART NUMBER	DIMENSION CHART						
	PAN	BURNER 1		BURNER 2		A"	STND FLEX LINE LENGTH
ROUND BURNER		SIZE	BTU	SIZE	BTU		
MLFPK8-FLEX	7.75"	6"	40K	-	-	-	36"

Notes:

1. FOR USE WITH FIXED PIPING SYSTEMS ONLY.
2. NOT FOR USE WITH SMALL TANKS.
3. ALL ENCLOSURES REQUIRE 4 each 18 SQ/IN VENTS ON OPPOSING SIDES AND ADEQUATE DRAINAGE.
4. RESIDENTIAL GAS PRESSURE ONLY. (NG- 7.0" WC, LP- 11.0" WC)
5. MODIFICATION OF PRODUCT WILL VOID ANY CERTIFICATION AND WARRANTY.
6. FOLLOW ALL MANUFACTURER INSTALLATION INSTRUCTIONS AND LOCAL CODES.
7. ALL DIMENSIONS ARE CONSIDERED TRUE AND REFLECT MANUFACTURER'S SPECIFICATIONS AS OF THE REVISION DATE.
8. DO NOT SCALE DRAWING.
9. THESE DRAWINGS ARE FOR SIZING AND PLANNING PURPOSES. ALL INFORMATION CONTAINED HEREIN WAS CURRENT AT THE TIME OF DEVELOPMENT. THE MANUFACTURER'S RESPONSIBLE FOR THE ACCURACY OF THE DRAWING.
10. CONTRACTOR'S NOTE: FOR PRODUCT AND COMPANY INFORMATION VISIT www.CADdetails.com/info REFERENCE NUMBER 771-032.



MATCH LIT FIRE PIT INSERT - WITH FLEX LINE
 FLAT ROUND PAN - MLFPK