

Superior
FIREPLACES®
Our name is our promise.



The DRL4000 Series linear direct vent gas fireplace offers a sleek modern appearance that is right at home in contemporary and transitional spaces. An expansive ceramic glass opening provides an exceptional view of the gently dancing flames rising through the beautiful reflective black glass floor media. Add the optional heat circulating blower and multi-function remote for the ultimate in comfort and control.



FEATURED DRL4060 shown with black painted interior and black reflective crushed glass

STANDARD FEATURES

- 🔥 Available in 60", 72", and 84" linear configured models
- 🔥 See through conversion kit available to allow viewing from two living spaces
- 🔥 HeatFlo kit option allows heat to be directed above heat sensitive wall hangings
- 🔥 Electronic ignition with battery backup provides continued operation in the event of a power outage
- 🔥 Clean-face design with integrated tile stops for easy finishing
- 🔥 Ceramic glass for optimum heat transfer and a protective screen*
- 🔥 Black painted interior standard with a reflective glass liner option available
- 🔥 Reflective black crushed glass media included with several optional colors available to customize the look
- 🔥 Optional blower and hand held multi-function remote control available
- 🔥 20-year limited warranty

*All applicable models comply with ANSI Z21.88 barrier requirements.
 **Blower use is not compatible with a see-through application.



DRL4060 shown with see-through kit and black reflective crushed glass

INTERIOR

Liner



Black Painted Interior (Standard)



Reflective Black Glass Liner

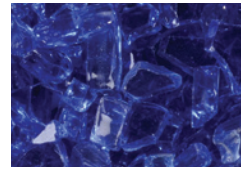
Media



Reflective Black *Crushed Glass* (Standard)



Platinum *Crushed Glass*



Reflective Blue *Crushed Glass*



High-Definition Driftwood Log Set



River Rock Assorted Set

SEE-THROUGH KIT



See-Through Kit

TRIM



Black Perimeter Trim Kit

REMOTE

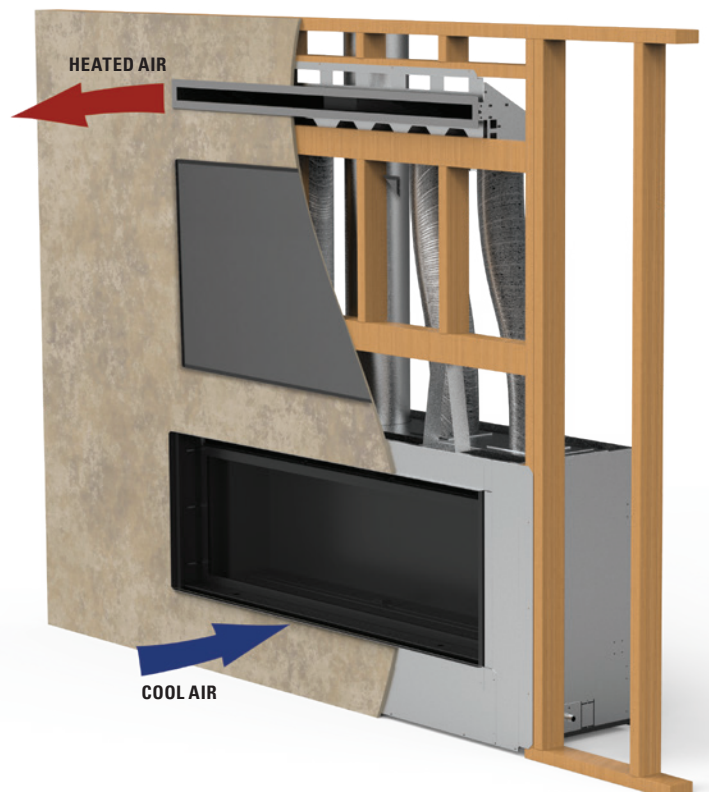


On/Off Thermostat Remote

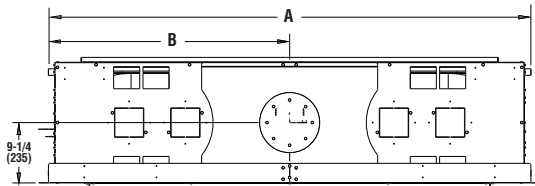
HEATFLO KIT

Protect heat sensitive televisions, artwork and other decorative wall materials. No blower required, the HeatFlo kit works through natural convection to redirect heat from the fireplace upward through hidden ductwork and out through a sleek horizontal vent. Walls stay cooler and heat flows more evenly through the room for a comfortable fireplace experience.

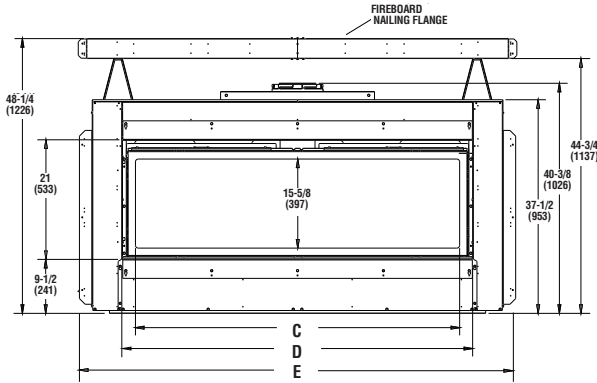
- TV & Artwork can be placed above the fireplace
- Helps protect heat sensitive wall facing materials
- Improves convective heat circulation in the room
- No electricity or blower required for operation



APPLIANCE SPECIFICATIONS



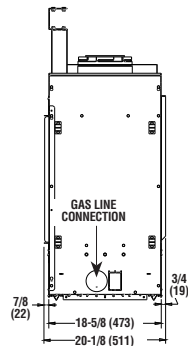
TOP VIEW



FRONT VIEW

DRL 4000 SERIES DIMENSIONS

Models	A	B	C	D	E
60"	74"	37"	56-5/8"	61-1/2"	76-5/8"
72"	86"	43"	68-5/8"	73-1/2"	88-5/8"
84"	98"	49"	80-5/8"	85-1/2"	100-5/8"



RIGHT SIDE VIEW

- REFER TO INSTALLATION MANUAL FOR ALL REQUIRED CLEARANCES TO COMBUSTIBLES.

FIREPLACE BTU OPERATING RANGE

MODEL	FUEL	BTU/HR	AFUE	P4
DRL 4060-B	NG	40,000-28,000	52.6	55.1
DRL 4060-B	LP	40,000-30,000	52.6	54.0
DRL 4072	NG	45,000-31,500	55.0	57.0
DRL 4072	LP	43,000-32,250	55.0	57.8
DRL 4084	NG	50,000-35,000	51.1	55.4
DRL 4084	LP	47,000-35,250	56.7	63.1

IMPORTANT NOTES:

As with any fireplace, this appliance is extremely hot during operation. Read and understand all operating instructions before using this appliance. For further information, consult your dealer.

Local conditions, such as elevation and choice of fuel will affect overall appearance of the fire and heating performance. Performance can also vary with home design and insulation, ceiling height, accessories chosen and appliance location.

Diagrams, illustrations and photographs are not to scale — consult installation instructions. Product designs, materials, dimensions, specifications, colors and prices are subject to change or discontinuance without notice.

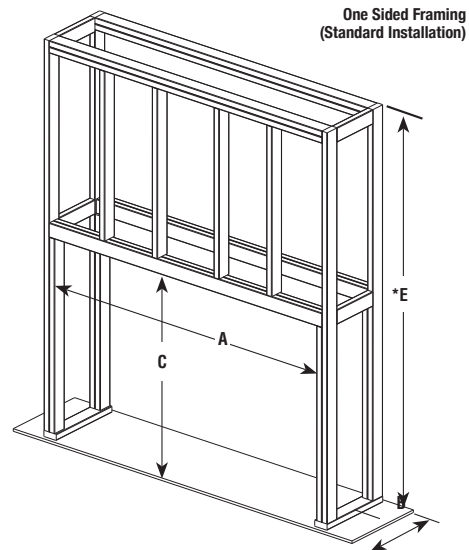
On the Cover: DRL4072 fireplace with black painted interior, driftwood log set, and black crushed glass media



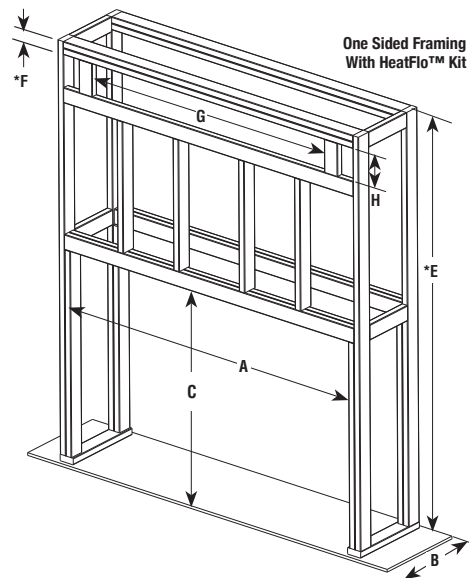
© 2021 Innovative Hearth Products
785712M 10/21

Visit us online
SuperiorFireplaces.us.com

FRAMING SPECIFICATIONS



One Sided Framing
(Standard Installation)



One Sided Framing
With HeatFlo™ Kit

DRL 4000 SERIES FRAMING DIMENSIONS

Models	A	B	C	E	F	G	H
60" One Sided Framing	74-1/4"	19-1/2"	48-1/2"	84"	—	—	—
60" One Sided Framing HeatFlo Kit	74-1/4"	19-1/2"	48-1/2"	84"	3"	62"	7-1/2"
72" One Sided Framing	86-1/4"	19-1/2"	48-1/2"	84"	—	—	—
72" One Sided Framing HeatFlo Kit	86-1/4"	19-1/2"	48-1/2"	84"	3"	78"	7-1/2"
84" One Sided Framing	98-1/4"	19-1/2"	48-1/2"	84"	—	—	—
84" One Sided Framing HeatFlo Kit	98-1/4"	19-1/2"	48-1/2"	84"	3"	90"	7-1/2"

- E. Minimum height from appliance base to ceiling
- F. Minimum Opening Distance from Ceiling to Allow for Min Distance from HeatFlo Register to Ceiling of 6"

- REFER TO SPEC SHEET FOR COMPLETE SEE-THROUGH APPLICATIONS AND INSTRUCTIONS.

