

# DRL4060-B/DRL6060-B

## DIRECT-VENT FIREPLACES

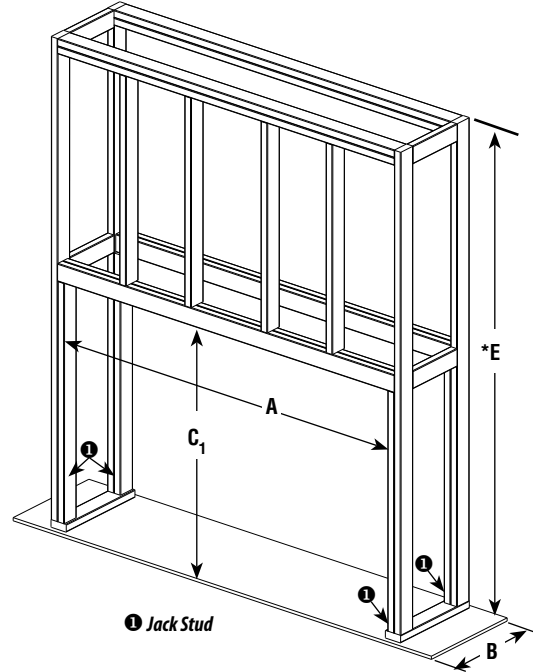
Framing Dimensions

### Framing Dimensions Standard Installation - Inches (millimeters)

60" Models	A	B	C <sub>1</sub>	*E
One Sided Framing	74-1/4 (1886)	19-1/2 (496)	48-1/2 (1232)	84 (2134)
See Thru Framing	74-1/4 (1886)	18-1/2 (469)	48-1/2 (1232)	84 (2134)

- STK-LIN60-B, (Required for See-Thru Installation)
- Two Jack Studs Located on the Front for One Sided Application
- Two Jack Studs Located Back and Front for See-Thru Application

\*E. Minimum height from appliance base to ceiling.



① Jack Stud

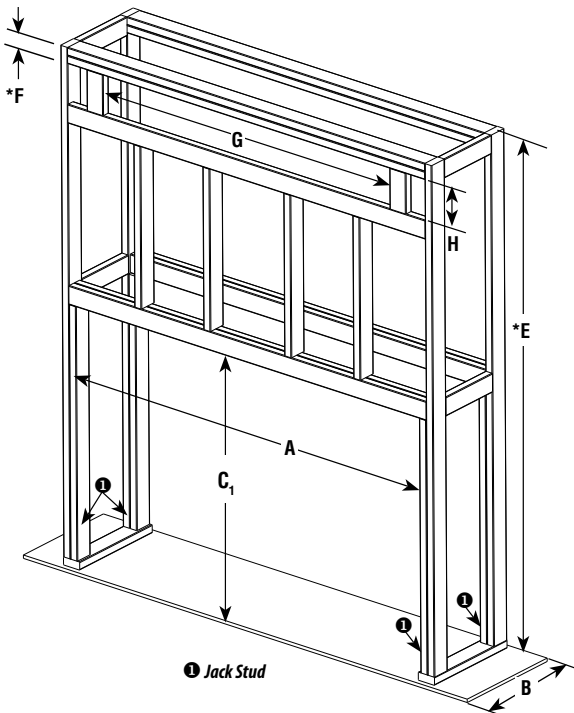
### Framing Dimensions with HeatFlo Kit for Flush Wall TV Installation One Sided & See-Thru Application - Inches (millimeters)

60" Models	A	B	C <sub>1</sub>	C <sub>2</sub>	D	*E	*F	G	H
One Sided Framing	74-1/4 (1886)	19-1/2 (496)	48-1/2 (1232)	44-3/4 (1137)	3-1/2 (89)	84 (2134)	3 (76)	62 (1515)	7-1/2 (191)
See Thru Framing	74-1/4 (1886)	18-1/2 (470)	48-1/2 (1232)	44-3/4 (1137)	3-1/2 (89)	84 (2134)	3 (76)	62 (1515)	7-1/2 (191)

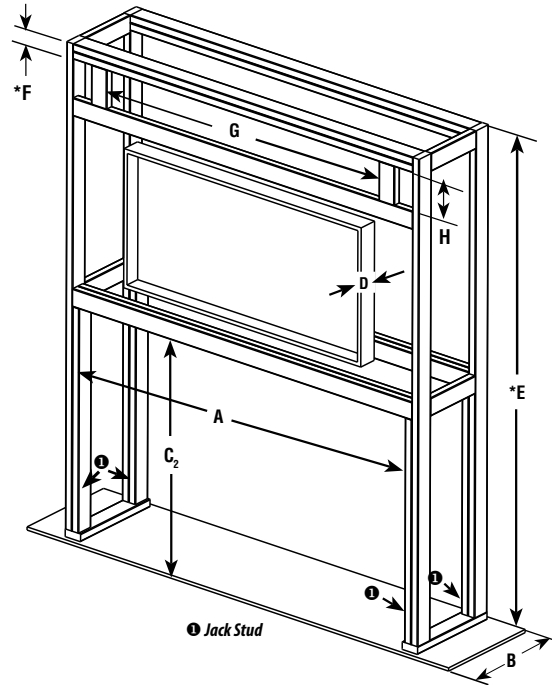
- HTFLO-LIN60, (Required for TV Installation)
- STK-LIN60-B, (Required for See-Thru Installation)
- Two Jack Studs Located on the Front for One Sided Application
- Two Jack Studs Located Back and Front for See-Thru Application.

\*E. Minimum height from appliance base to ceiling

\*F. Minimum opening distance from ceiling to allow for minimum distance from Heatflo Register to ceiling of 6" (152 mm)



① Jack Stud



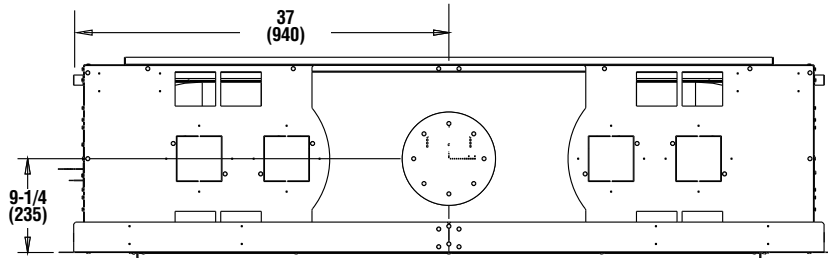
① Jack Stud

NOTE: DIAGRAMS & ILLUSTRATIONS ARE NOT TO SCALE.

TVs should not be used in situations where the actual TV temperature exceeds the manufacturer's technical specification. Contact the TV manufacturer directly if you cannot locate this information or have questions regarding this information.

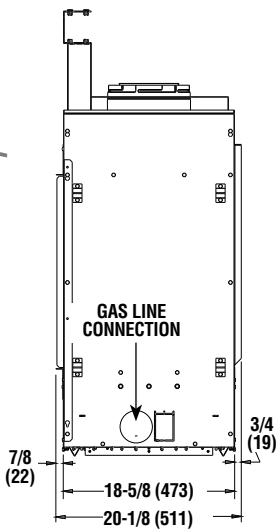
# DRL4060-B/DRL6060-B

Inches (millimeters)

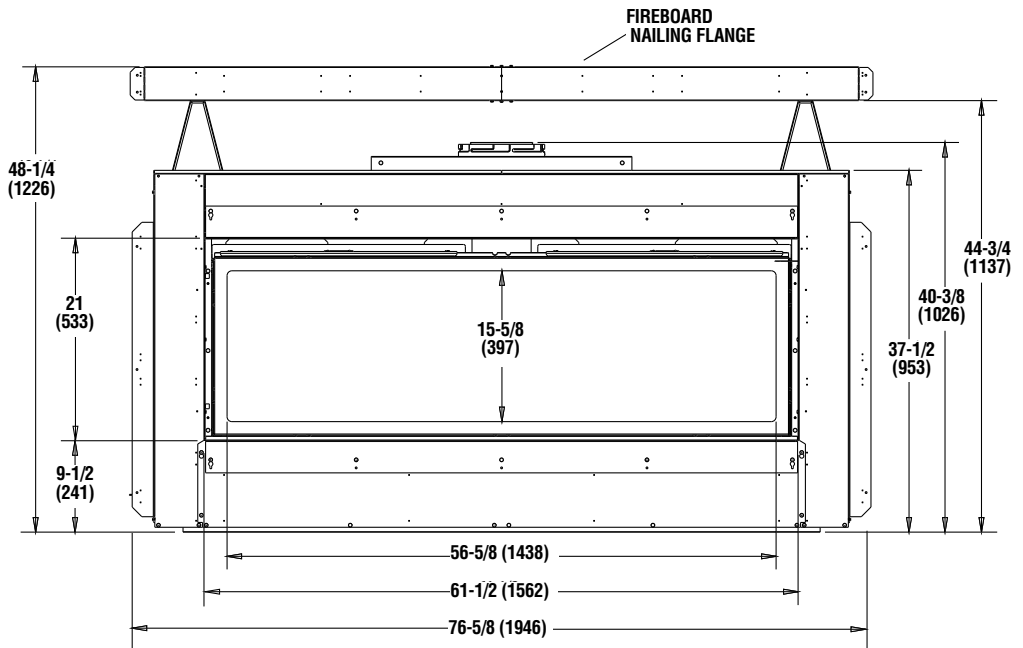


TOP VIEW

Fireplace Dimensions



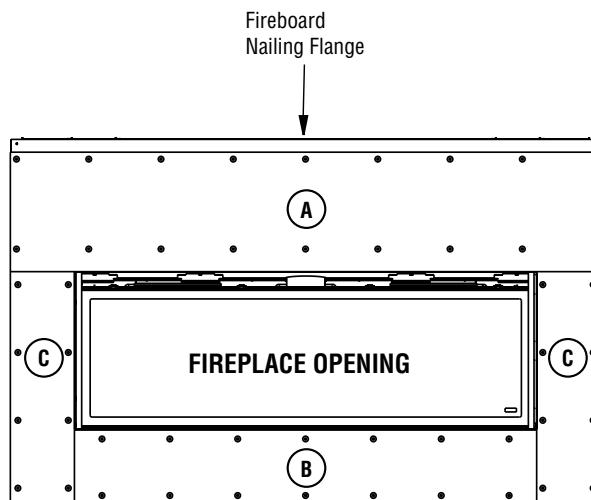
LEFT SIDE VIEW



FRONT VIEW

Concrete Fireboard Installed

Description - 60" Models	
<b>A</b>	Fireboard, Top (1/2" x 76-1/2" x 16")
<b>B</b>	Fireboard, Bottom (1/2" x 61-1/2" x 9-3/8")
<b>C</b>	Fireboard, Side (1/2" x 30-1/2" x 7-1/2")
<b>Note:</b> Use 1" Self Drill Bugle Drywall Screws to Install Non-Combustible Fireboard. (Supplied)	



# DRL4060-B/DRL6060-B

Listing

Product Info

Clearances

Venting

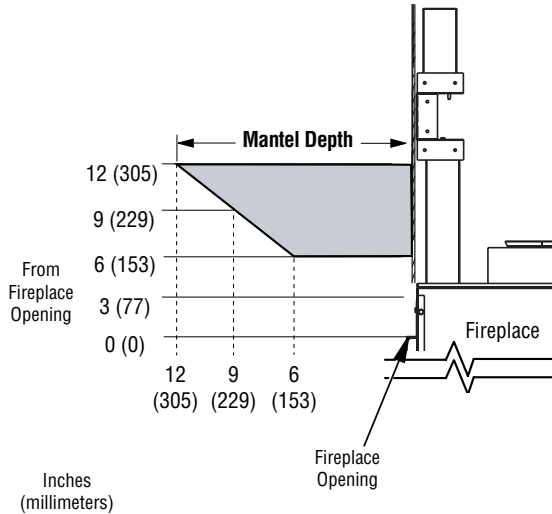


Listed by PFS TECO to - ANSI Z21.88:19  
(in Canada, CSA 2.33:19), and CSA 2.17-2017  
in both USA and Canada, as vented gas fireplace heaters.

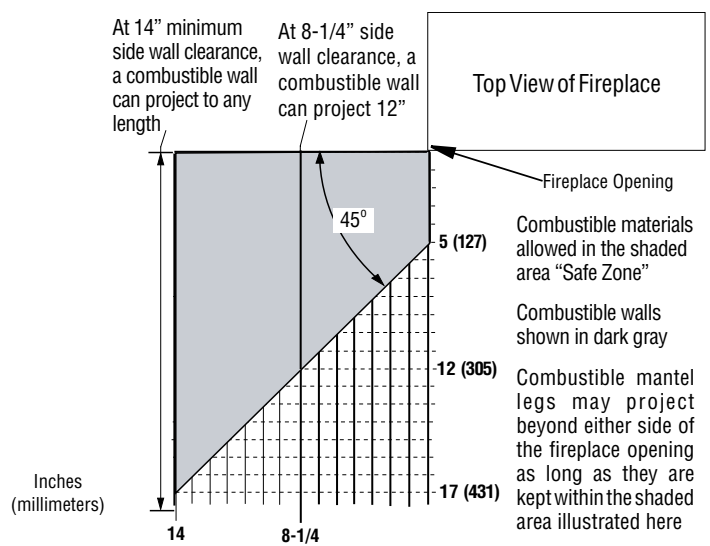
Report No. F18-195

Cat. No.	Model	Weight	Cu. Ft.	Input Rate (Btu/Hr)		
					Natural Gas	Propane (Field Converted)
F4385	DRL4060-B	470 lbs (213 kg)	58	High	40,000	40,000
				Low	28,000	30,000
F4386	DRL6060-B	485 lbs (218 kg)	58	High	40,000	40,000
				Low	28,000	30,000

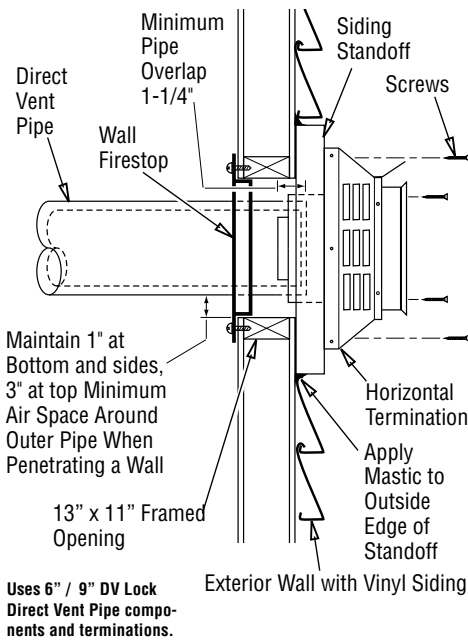
### Combustible Mantel Clearances



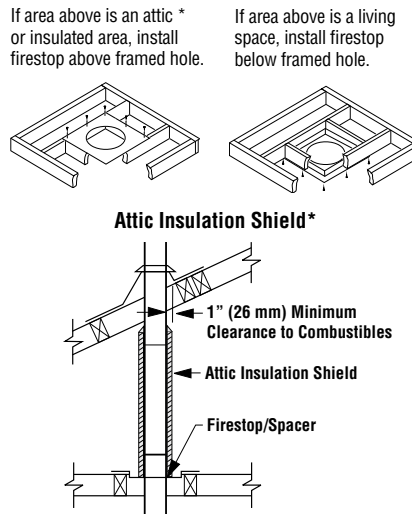
### Side Wall Clearance



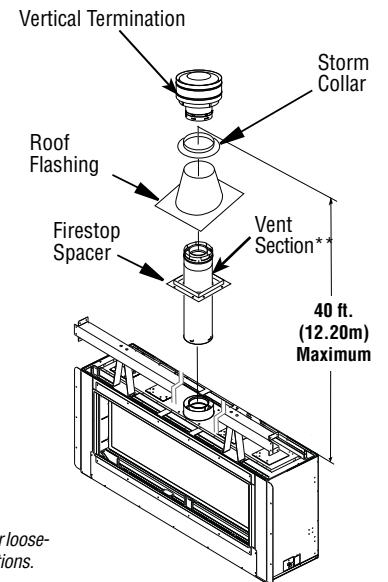
### Horizontal Termination



### Firestop



### Vertical Termination



\* The Attic Insulation Shield must be installed when blown or loose-fill insulation is used, and is required for all attic installations.

These appliances are approved for use with IHP 6" / 9" DV Lock venting.

\*\* The first vertical sections off appliance collar must be 2 foot (minimum) before an offset is allowed.

Specifications and clearances are subject to change without notice. Refer to Installation Manual before installation of these appliances for updated dimensions and instructions.

NOTE: DIAGRAMS & ILLUSTRATIONS ARE NOT TO SCALE.  
Printed in U.S.A. © 2020 Innovative Hearth Products  
P/N 901060-00 REV. A 07/2020

