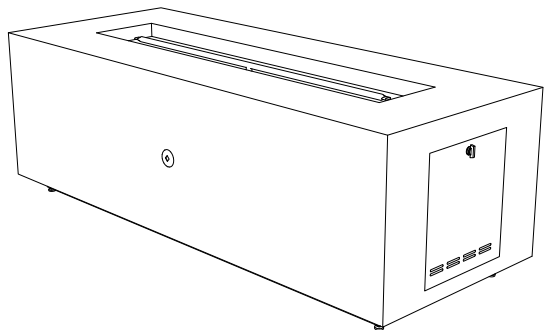
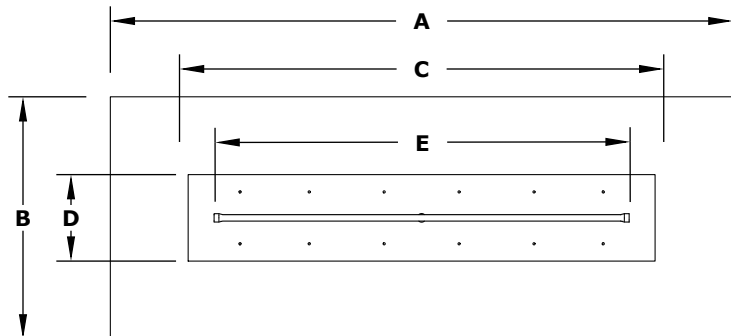


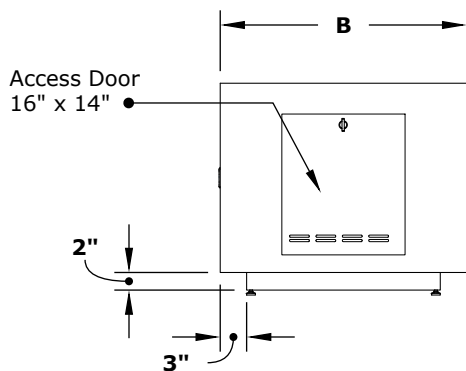
CATALINA FIRE PIT - GFRC WOOD GRAIN



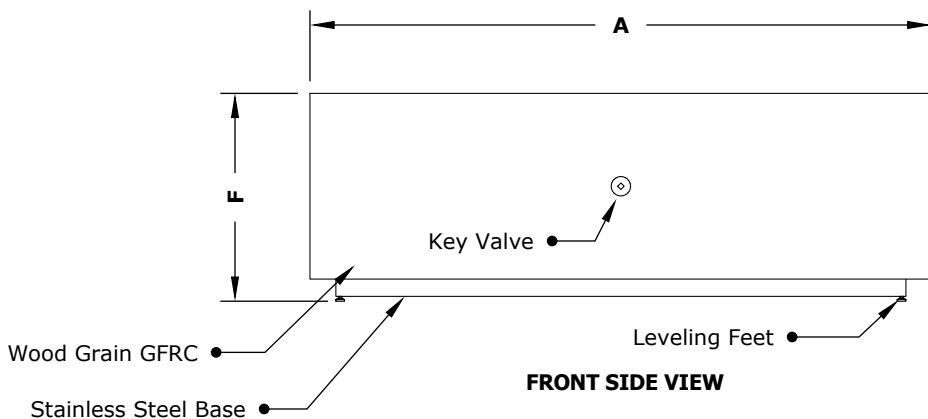
ISOMETRIC VIEW



TOP VIEW



RIGHT SIDE VIEW



FRONT SIDE VIEW

MATCH LIT SKU	110V ELECTRONIC IGNITION SKU	A	B	C	D	E	F	BTU
OPT-CTL48	OPT-CTL48EKIT	48"	28"	30"	10"	24"	24"	65,000
OPT-CTL60	OPT-CTL60EKIT	60"	28"	42"	10"	36"	24"	65,000
OPT-CTL72	OPT-CTL72EKIT	72"	28"	54"	10"	48"	24"	65,000
OPT-CTL84	OPT-CTL84EKIT	84"	28"	66"	10"	60"	24"	65,000
OPT-CTL96	OPT-CTL96EKIT	96"	28"	78"	10"	72"	24"	65,000
OPT-CTL108	OPT-CTL108EKIT	108"	28"	90"	10"	84"	24"	65,000
OPT-CTL120	OPT-CTL120EKIT	120"	28"	102"	10"	96"	24"	65,000

Fire Pit Material: GFRC Concrete
 Finish: Wood Grain Concrete
 Pan Material: 304 Stainless Steel
 Burner Material: 304 Stainless Steel
 Standard 2" Depth on all pans
 Standard 1" Lip on all pans

110V ELECTRONIC IGNITION
 ANSI Z21.97-(2017) / CSA 2.41-(2017)



Includes: Pan, Burner, Key Valve, Whistle Free Hoses, Black Lava Rock.