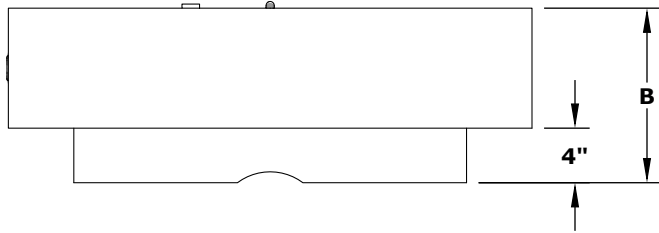
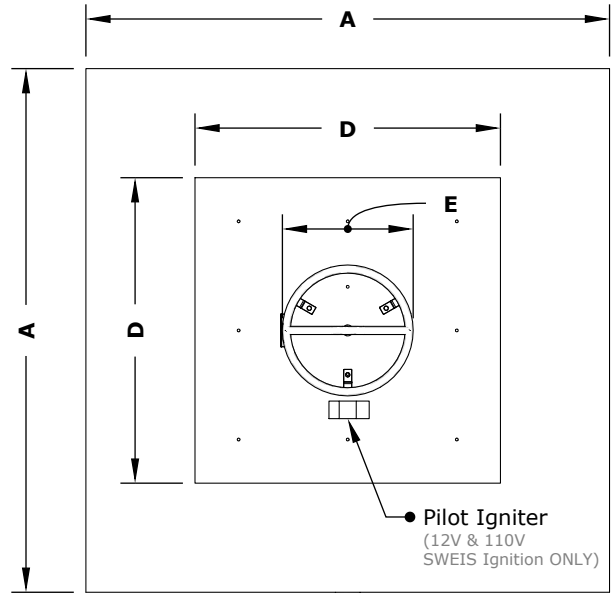
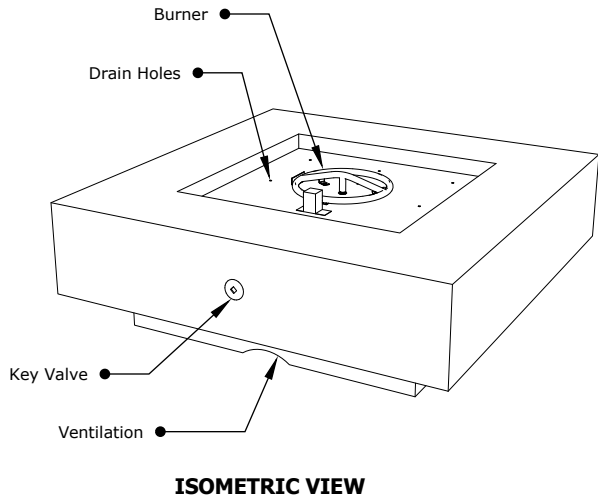
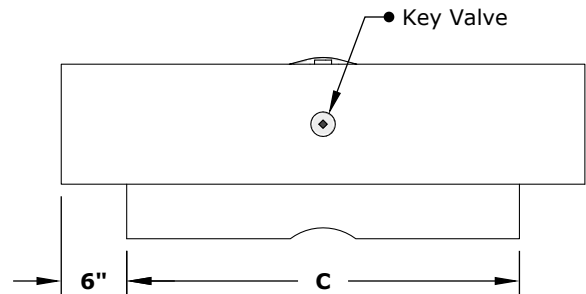


CABO SQUARE FIRE PIT - GFRC



RIGHT SIDE VIEW



FRONT SIDE VIEW

SKU	A	B	C	D	E	BTU
OPT-CBSQ36	36"	16"	24"	20"	8"	65,000
OPT-CBSQ36EKIT	36"	16"	24"	20"	8"	65,000
OPT-CBSQ48	48"	16"	36"	28"	12"	65,000
OPT-CBSQ48EKIT	48"	16"	36"	28"	12"	65,000

Fire Pit Material: GFRC Concrete
 Pan Material: 304 Stainless Steel
 Burner Material: 304 Stainless Steel
 Ignition Type: Match Lit or Electronic Ignition

110V ELECTRONIC IGNITION
 ANSI Z21.97-(2017) / CSA 2.41-(2017)

Includes: Fire Pit, Pan, Burner, Key Valve, Whistle Free Hoses, Black Lava Rock 110V Plug and Play Electronic Ignition System (For Products ending with EKIT)

