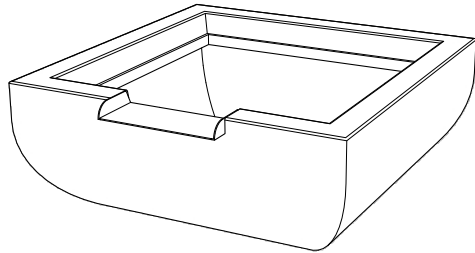
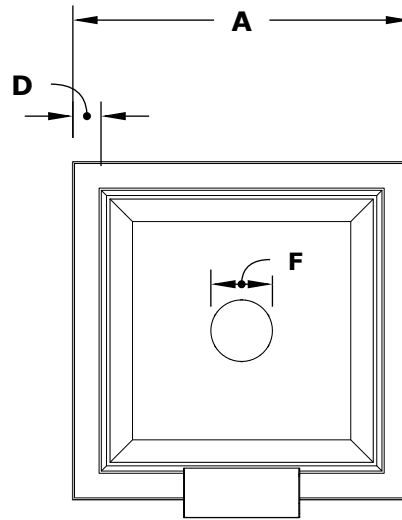


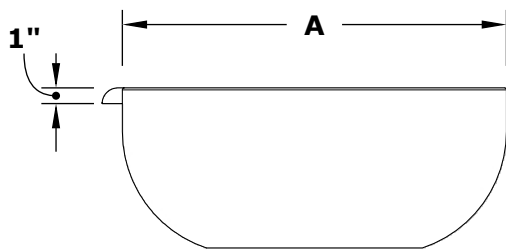
AVALON WATER BOWL- GFRC CONCRETE



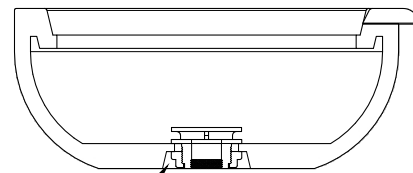
ISOMETRIC VIEW



TOP VIEW

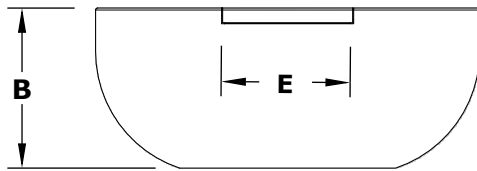


RIGHT SIDE VIEW

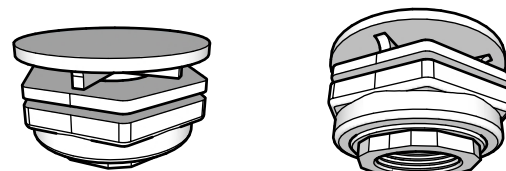


Smooth Flow
Water Fitting
(1 1/2" Connection)

SECTION CUT



FRONT SIDE VIEW



1 1/2" Inlet

SKU	A	B	C	D	E	F	GPM
OPT-AVLWO24	24"	10"	13"	2"	8"	3"	7-10
OPT-AVLWO30	30"	12"	18"	3.5"	8"	3.5"	7-10
OPT-AVLWO36	36"	12"	20"	3.5"	10"	3.5"	7-10

Fire Bowl Material: GFRC Concrete
Finish: Smooth Finish
Includes: Bowl, Copper Scupper,
Water Fitting