

**FURY SERIES
ELECTRIC FIREPLACE MANTEL**

**Model #
80040 – Fury 50” Mantel**

OWNER’S MANUAL



AC 110-120V 60Hz 1500W

⚠ WARNING

Read and understand this entire owner’s manual, including **all safety information**, before plugging in or **using** this product. Failure to do so could result in **fire, electric shock, or serious personal injury**.

⚠ CAUTION

Keep this owner’s manual for future reference. If you sell or give this product away, **make sure this manual accompanies this product**.



**PREMIUM
ELECTRIC FIREPLACES
& TV LIFTS**

Exceeding Expectations



Table of Contents

Table of Contents

General Information	5
<i>CSA Approval Listing Information</i>	5
<i>Fireplace Specifications</i>	5
<i>Dimensional Drawings</i>	6
Unpacking Your Fireplace	7
<i>Parts and Hardware</i>	7
Tools Required.....	7
What’s in the Box	7
<i>Unpacking and Setup</i>	7
Testing the Fireplace Prior to Installation.....	8
3-prong Outlet Installation.....	8
Hard Wire Connection	9
Installation	10
<i>Choosing Installation Location</i>	10
Choosing Wall Location	10
<i>Wall Mounted Installation</i>	11
<i>Recessed Installation</i>	13
<i>Install Rock or Glass Crystal Media</i>	15
Operating Fireplace	16
<i>Main Power Switch</i>	16
<i>Methods of Operation</i>	17
Control Panel Functions.....	17
Remote Control Functions	18
<i>Remote Control Operation</i>	19
<i>Temperature Limiting Control</i>	19
Care and Maintenance	20
<i>Cleaning</i>	20
<i>Maintenance</i>	20
Warranty	21
<i>Touchstone Home Products Limited Warranty</i>	21
<i>Conditions and Limitations</i>	21

IMPORTANT SAFETY INFORMATION WARNING!

- **THIS FIREPLACE IS HOT WHEN IN OPERATION AND CAN CAUSE SEVERE BURNS**
- Do not operate fireplace before reading and understanding operating instructions. Failure to operate fireplace according to operating instructions could cause fire or injury.
- Risk of burns. This fireplace is HOT when in operation and heating element is ON. Power to the fireplace should be turned off and the fireplace allowed to cool before servicing. To disconnect power to the fireplace, turn controls to off, then remove plug from outlet.
- Do not install damaged, incomplete, or substitute components.
- Young children should be carefully supervised when they are in same room with fireplace. Toddlers, young children and others may be susceptible to accidental contact burns. A physical barrier is recommended if there are at-risk individuals in the house. To restrict access to the fireplace, install an adjustable safety gate to keep toddlers, young children and other at-risk individuals away from the fireplace and hot surfaces.
- Clothing and other flammable material should not be placed on or near the fireplace.
- Due to high temperatures, the fireplace should be located out of traffic and away from furniture and draperies.
- Ensure that you have incorporated adequate safety measures to protect infants/toddlers from touching hot surfaces.
- It is imperative that the control compartments, circulating blower, and its passageway in the fireplace is kept clean.
- Under no circumstances should this fireplace be modified.
- Do not use the fireplace if any part has been under water.
- Do not operate the fireplace with the glass panel removed, cracked or broken.
- Keep the packaging material out of the reach of children. As with all plastic bags, these are not toys and should be kept away from children and infants.
- Servicing should only be done while the fireplace is disconnected from the power outlet.
- Unplug fireplace if not being used for an extended period of time.
- Do not operate this fireplace with a damaged cord or plug after the fireplace malfunctions, has been dropped, or damaged in any manner.
- Do not use outdoors.
- Never locate fireplace where it may fall into a bathtub or other water container.
- Do not run the cord under carpeting. Do not cover cord with throw rugs, runners, or the like. Arrange cord away from traffic area and where it will not be tripped over.
- Connect to properly grounded outlets only.
- Do not insert foreign objects into any ventilation or exhaust opening as this may cause an electric shock, fire, or damage to the fireplace.
- To prevent a possible fire, do not block the air intakes or exhaust in any manner. Do not use on soft surfaces, like a carpet, where openings may be blocked.
- Ensure clearances to combustibles are maintained when building a mantel or shelves above the fireplace. Elevated temperatures on the wall or in the air above the fireplace can cause melting, discoloration or damage to the decorations, a TV or other electronic components.

General Information

CSA Approval Listing Information

This fireplace has been tested in accordance with the CSA Standards for fixed and location-dedicated electric room appliances in the United States and Canada. If you need assistance during installation, please contact our technical support department at 800-215-1990 option 3.

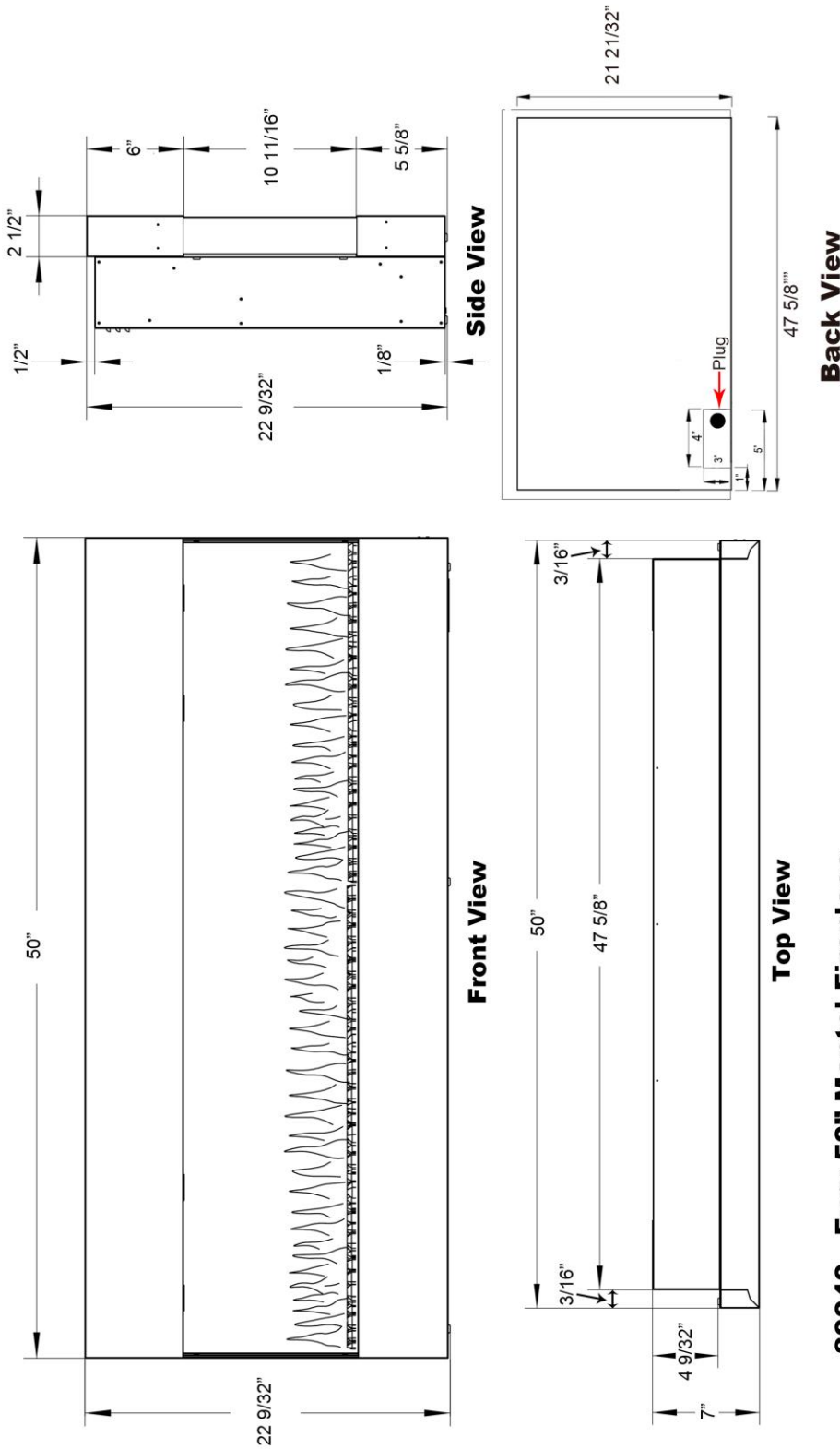
Note: This fireplace must be electrically wired and grounded in accordance with local codes or, in the absence of local codes, with National Electric Code ANSI/NFPA 70-latest edition in the United States or the Canadian Electric Code, CSA C22.1 in Canada.

Fireplace Specifications

Model Number	80040
Description	Fury
Voltage	120v AC
Watts	Max 1500W
Amps	15 AMP Grounded Circuit
Fireplace Width	50"
Fireplace Height	22 9/32"
Fireplace Depth	7"
Net Weight	50 lbs.
Shipping Weight	56 lbs.

Dimensional Drawings

80040 – Fury 50” Mantel Fireplace Dimensions



Back View

Fury 50” Mantel Fireplace
PN: 80040



PREMIUM
ELECTRIC FIREPLACES
& TV LIFTS

Exceeding Expectations

Updated: 06/11/2019

80040 - Fury 50” Mantel Fireplace

Features

- 2 heat settings (high and low)
- Dual Mounting (recessed or wall mounted)
- Remote control for heat and flame setting (batteries not included)
- 9 flame and 9 crystal bed color settings
- Dual mode operates with or without heat for only flame effect
- Built in timer mode for shut off in 1 hour to 9 hours.
- Rock and Glass Crystal Media Options

Specifications

- Frame color: Black
- Watts: 1,300
- BTU's: 4436
- Room Coverage: 400 ft.
- Voltage: 120v
- Amperes: 12
- Rough Opening: 47 7/8" x 22" x 5 1/2"


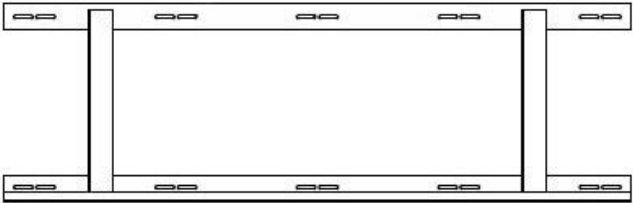
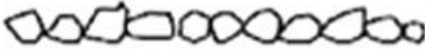
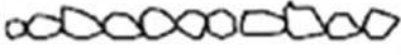



Unpacking Your Fireplace

Parts and Hardware

Tools Required

- Phillips-head screwdriver
- Stud finder
- Level
- Tape measure
- Electric drill
- 1/4" wood drill bit

What's in the Box

 <p>Fury Fireproof Mantel</p>	 <p>Wall Mount Bracket</p>
 <p>1 Bag of Clear Crystals</p>	 <p>1 Bag of White Stones</p>
 <p>Mounting Screws</p>	 <p>Remote Control</p>
 <p>Plastic Strip for Crystals or Rocks</p>	

Unpacking and Setup

Unpacking Instructions:

- Remove all parts and hardware from the carton and place them on a clean, soft, dry surface. Check the parts list to make sure no parts are missing. If parts are missing, please contact technical support at 800-215-1990 opt 2. for replacement parts.

NOTE: Dispose of plastic bag, as it may cause choking hazard with young children. Do not let children play with plastic bag.

Wiring

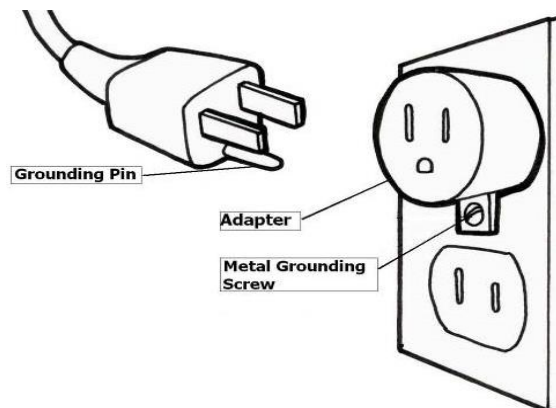
Touchstone Wall Mounted Electric Fireplaces come with a 3-prong plug which plugs into any standard 110v outlet.

Testing the Fireplace Prior to Installation

- Before installing the fireplace, test the fireplace to make sure that it operates properly.
- Plug fireplace into approved outlet and power on fireplace. Once fireplace is tested, continue with installation.
- If you have any problems, please contact technical support at 800-215-1990 opt 2.

3-prong Outlet Installation

- Only use this fireplace on a 120V AC, 15-Amp grounded circuit. Never overload the circuit. If this fireplace trips the circuit breaker, unplug all other appliances on the same circuit before the next use. Avoid plugging other appliances into the same circuit as this fireplace.
- Always check the fireplace plug and connections before each use.
- Never plug this fireplace into an outlet that is cracked or has any loose wires or connections. Plugging this fireplace into a faulty outlet could result in the outlet overheating or catching fire.
- Make sure this plug fits securely into the outlet. Faulty wall outlet connections or loose plugs can cause the outlet to overheat. If the outlet or faceplate is hot, discontinue use immediately and have a qualified electrician inspect and/or replace the faulty outlet.
- The power cord supplied with the heater has three prongs: two flat blades (live and neutral) and one round pin (ground). If a 3-slot receptacle is not available, an adapter **MUST** be used. The adapter **MUST** be properly grounded to the outlet box (see figure below).



NOTE: Adapter NOT INCLUDED.

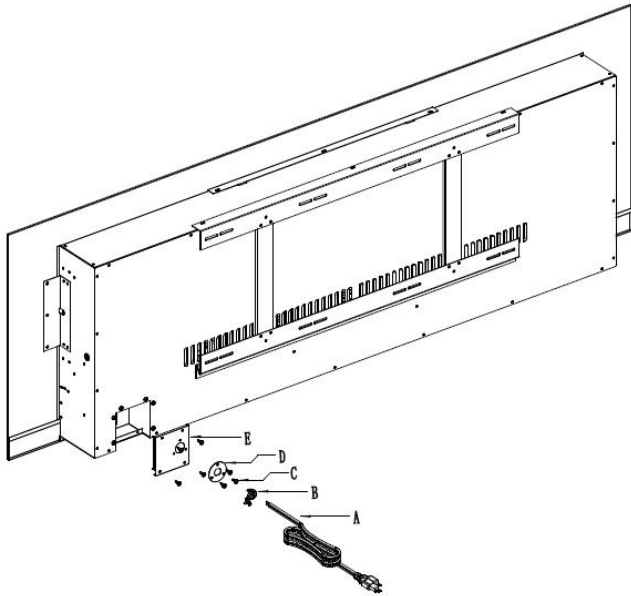
Hard Wire Connection

If it is necessary to hard wire this appliance, a qualified electrician must remove the cord connection, and wire the appliance directly to the house hold wiring.

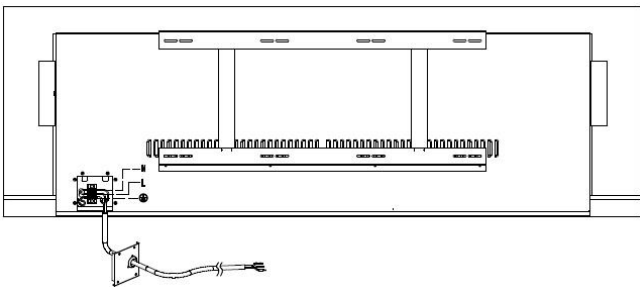
This appliance must be electrically connected and grounded in accordance with local codes, if hard wired. In the absence of local codes, use the current ANSI/NFPA 70 NATIONAL ELECTRICAL CODE in the United States or the current CSA C22.1 CANADIAN ELECTRICAL CODE in Canada.

Instructions:

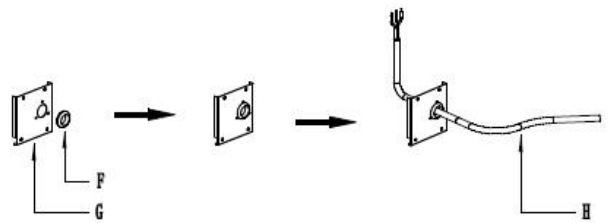
1. Remove the power cord (A), power cord locking buckle (B), screws (C), protective ring (D) and terminal cover plate (E).



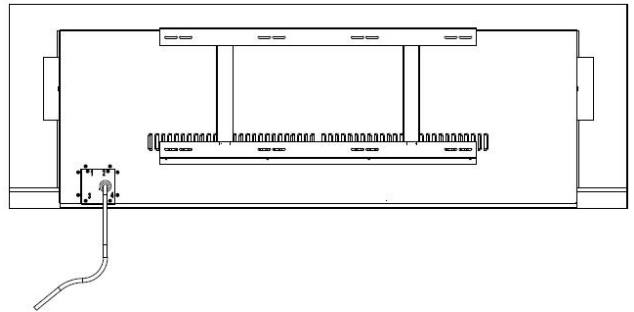
3. Attach the electric wire to the fireplace according to the terminal wiring label on the back of the fireplace.



2. Insert the protective ring (F) into the cover plate (G) and insert electric wire through cover plate opening (H).



4. Reinstall the cover plate using the screws removed in step 1.



Installation

WARNINGS

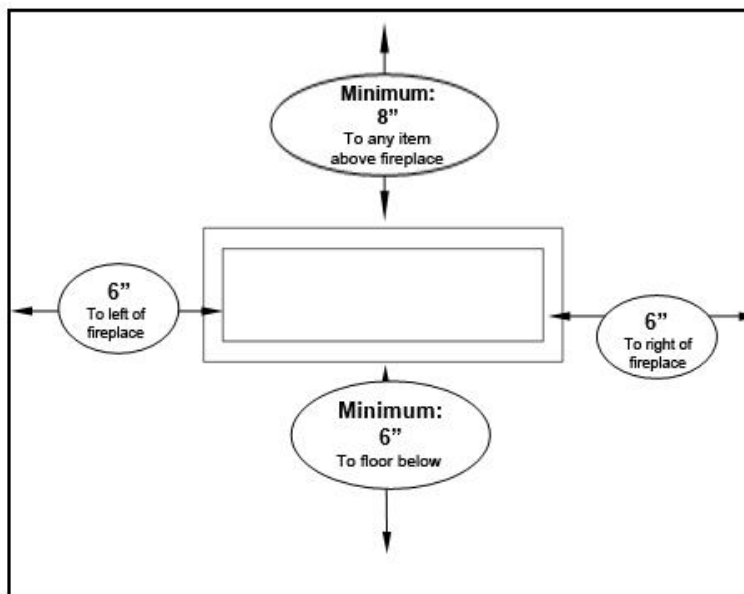
- Due to high temperatures, keep the fireplace out of high traffic locations.
- Keep combustible materials, such as furniture, pillows, bedding, papers, clothes, and curtains at least 36” away from the front of the fireplace.
- Never install the fireplace where it may fall into a bathtub or other body of water.
- Wear safety gloves and safety glasses for protection during installation. Broken glass may cause injury or harm.
- Prevent contact with loose insulation. Do not install the fireplace against a vapor barrier or exposed insulation.
- Do not expose the fireplace to the elements (rain, etc).

Choosing Installation Location

Choosing Wall Location

- Measure wall location to ensure that fireplace will fit on desired wall location.
- Minimum clearances (measurements taken from front of glass panel):

Bottom of Fireplace to Floor:	6”	Top of Fireplace:	8” to mantel
Sides of Fireplace:	6”	Top of Fireplace:	8” to TV
Back of Fireplace:	0”	Top of Fireplace:	8” to ceiling



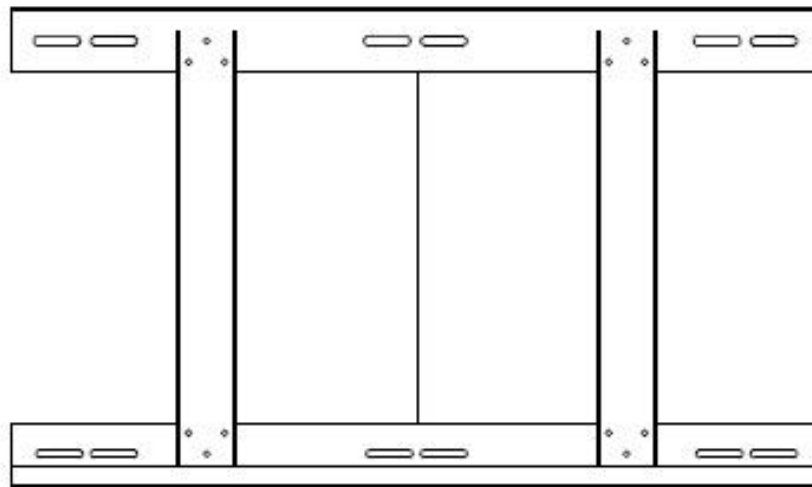
- Select a location that is not prone to moisture and is located at least 36” away from combustible materials such as curtains, drapes, furniture, bedding, or other combustible materials.
- See Safety Information on pages 3 for warnings about safe placement, safe installation, and proper use of this product.

Wall Mounted Installation

- Due to many different finish materials use on walls, it is highly recommended that you consult your local builder before you install this fireplace on the wall.
- Select a location that is not prone to moisture and is located at least 36” away from combustible materials such as curtains, drapes, furniture, bedding, papers, clothes, etc.

Instructions

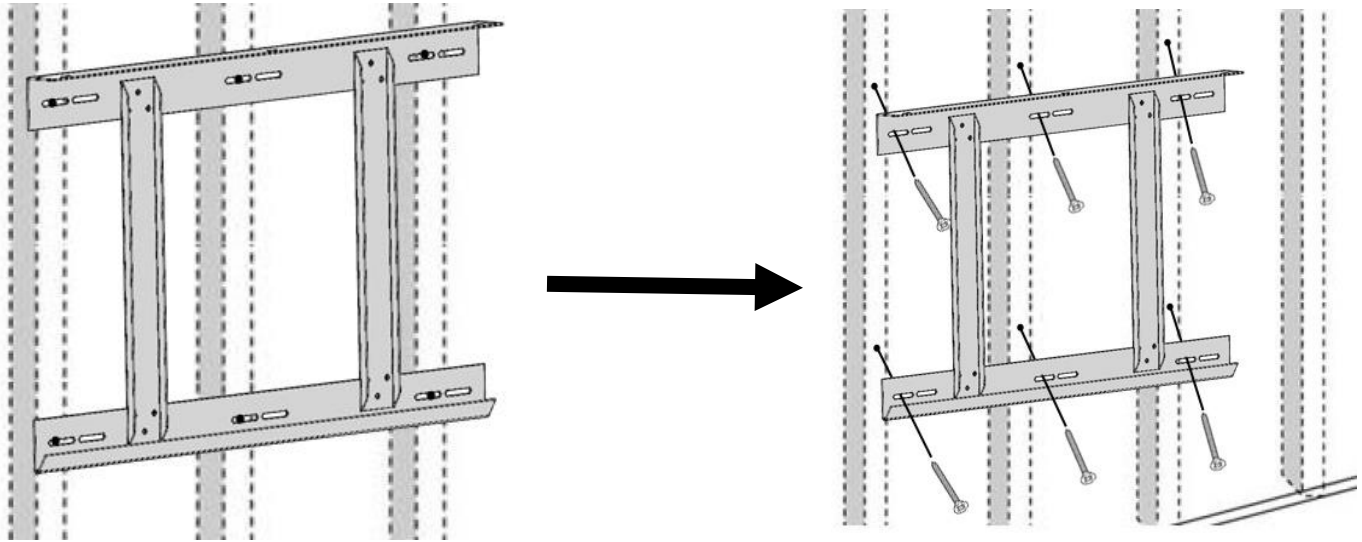
1. Select a location that is not prone to moisture and is located at least 36” away from combustible materials, such as curtains, drapes, furniture, bedding, paper, clothes, etc.
2. Place the unit face down on a soft, non-abrasive surface. Remove the bracket from the back of the unit by removing the 3 screws holding the bracket to the fireplace (shown below).



Wall Mounting Bracket

Wall Mounted Installation – cont.

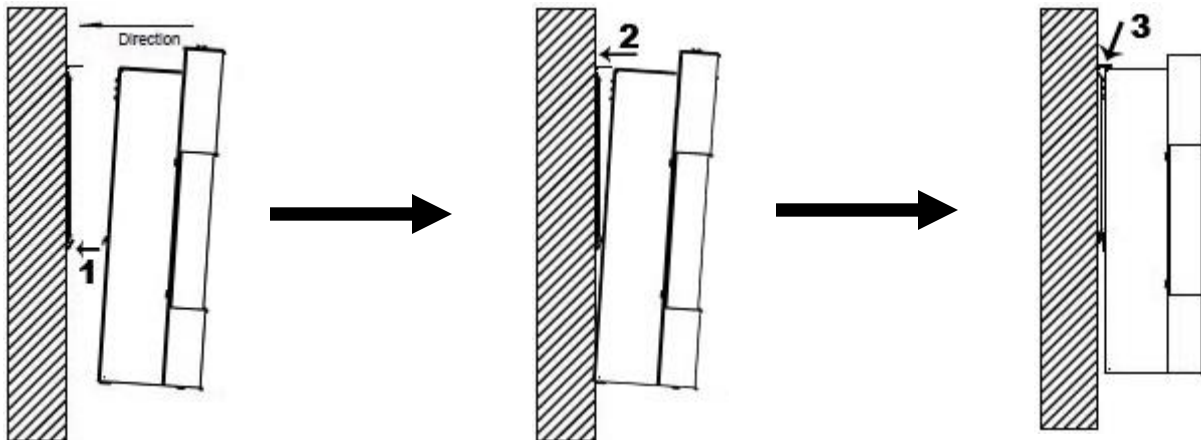
3. Mark location of bracket on wall and then mount the bracket to the wall using the supplied screws and dry wall anchors. Mount bracket to at least 2 studs, inserting 1 screw in each of the 6 mounting points shown below. If 2 studs cannot be used, ensure that the supplied dry wall anchors are used to affix the bracket to the wall and the bracket is adequately secured before moving to the next step. Check the wall mount bracket for stability, ensuring that the bracket will not pull free from the wall.



Mark location of mounting bracket on wall

Mount H bracket to wall using 6 screws

4. With the wall mounting bracket installed, have 2 people lift the fireplace up and insert the fireplace into the mounting bracket so that the hooks on the back of the fireplace align with the hook on the mounting bracket. Once lined up, push the fireplace back into place and secure with screws on top of the bracket.



1. Line up the bottom bracket on the back of the fireplace with the bottom of the fireplace.

2. Once the bracket is hooked onto the fireplace, push the top of the fireplace back to line up with the top of the mounting bracket

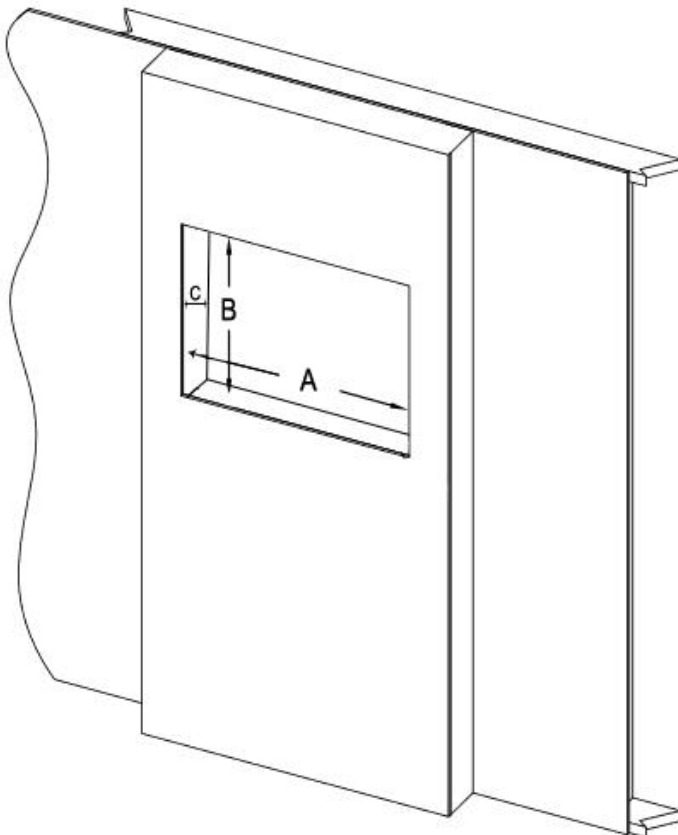
3. Once the fireplace is mounted on the bracket, reinstall the 3 screws to secure the fireplace to the wall bracket

Recessed Installation

- Due to many different finish materials use on walls, it is highly recommended that you consult your local builder before you install this fireplace in the wall.
- Select a location that is not prone to moisture and is located at least 36” away from combustible materials such as curtains, drapes, furniture, bedding, or other combustible materials.
- In order to avoid the possibility of exposed insulation or vapor barrier coming in contact with the fireplace, it is recommended that the walls of the fireplace enclosure be “finished” (ie. Sheetrock, drywall, etc) as you would finish any other outside wall of your home. This will ensure that clearance to combustibles is maintained within the wall cavity.
- Never install fireplace into load-bearing walls. When recessing fireplace in a wall, recess into non-load bearing walls ONLY!
- Prior to recessing the fireplace into the wall opening, follow the instructions on p. 11 to remove the wall mount bracket from the back of the fireplace. This bracket will not be used during a recessed install.

Instructions:

1. Choose a location in the wall to install fireplace.
2. Create opening in the wall that is no more than ¼” larger than metal firebox portion of fireplace.



Firebox Dimensions

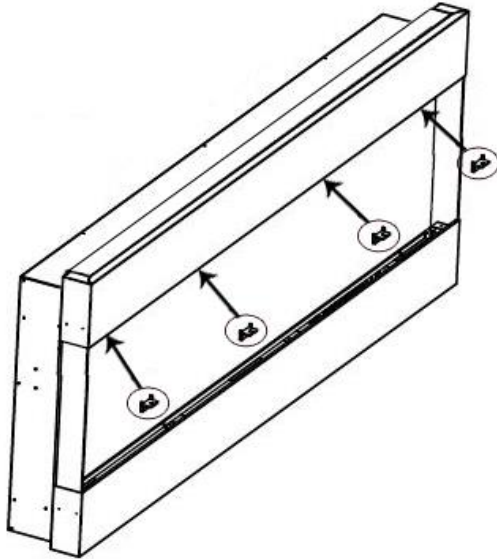
Model	Width	Height	Depth
80040	47 5/8”	21 21/32”	4 9/32”

Rough Opening Dimensions

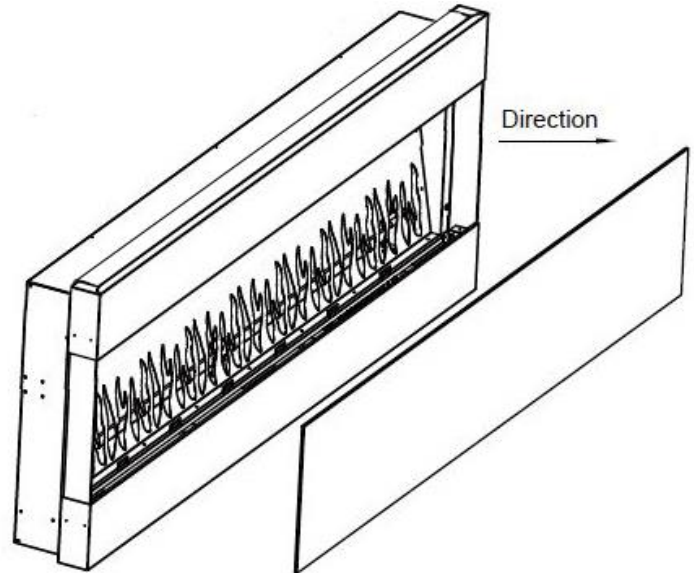
Model	A (Width)	B (Height)	C (Depth)
80040	47 7/8”	22”	5 1/2”

Recessed Installation – cont.

3. Remove the mirror glass panel from the fireplace. To remove the panel, remove the 4 clips holding the panel in place and pull the glass panel out of the fireplace.

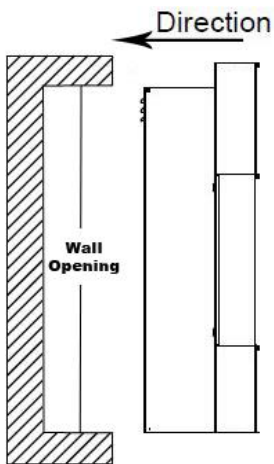


A. Remove glass panel clips

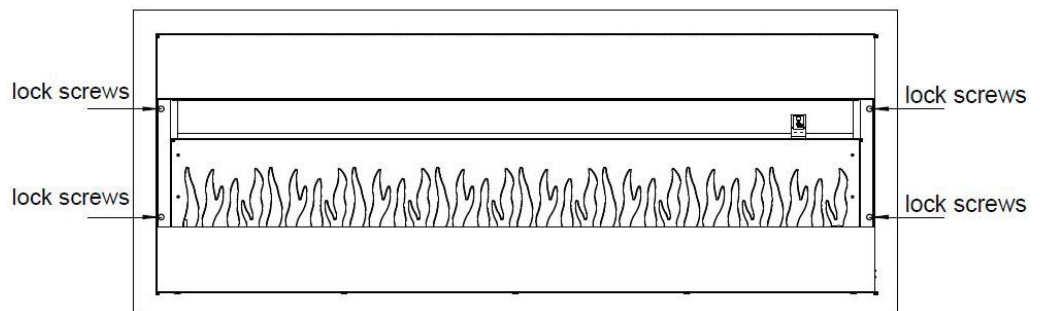


B. Remove glass panel from firebox

4. Once the glass panel is removed, recess the firebox in the wall opening. The mounting holes in the face of the fireplace will line up with the vertical mounting studs in the wall opening. Use the mounting screws to fasten the fireplace to the vertical framing studs in the wall opening.



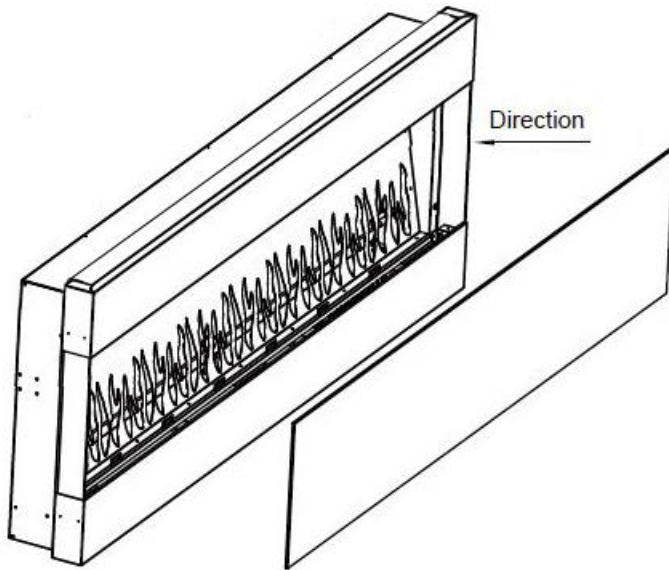
A. Slide fireplace into wall opening



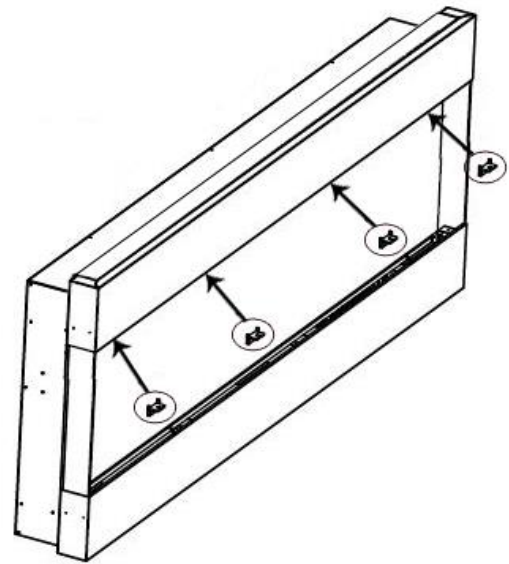
B. Using the mounting screws, fasten the fireplace to the vertical framing studs of the wall opening.

Recessed Installation – cont.

5. Once the fireplace is mounted in the wall and secure, reinstall the glass panel.



A. Reinstall the glass panel in the fireplace.



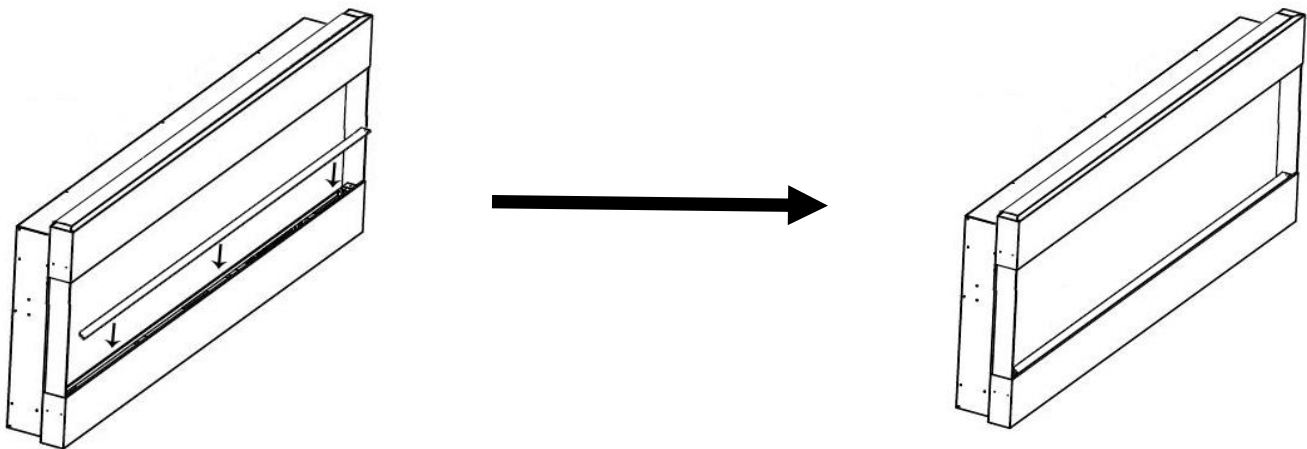
B. Reinstall the clips holding the glass panel.

Install Rock or Glass Crystal Media

The 80040 Fury Fireplace ships with both rocks and clear glass crystals. The customer can arrange the supplied media options in a manner that fits their style.

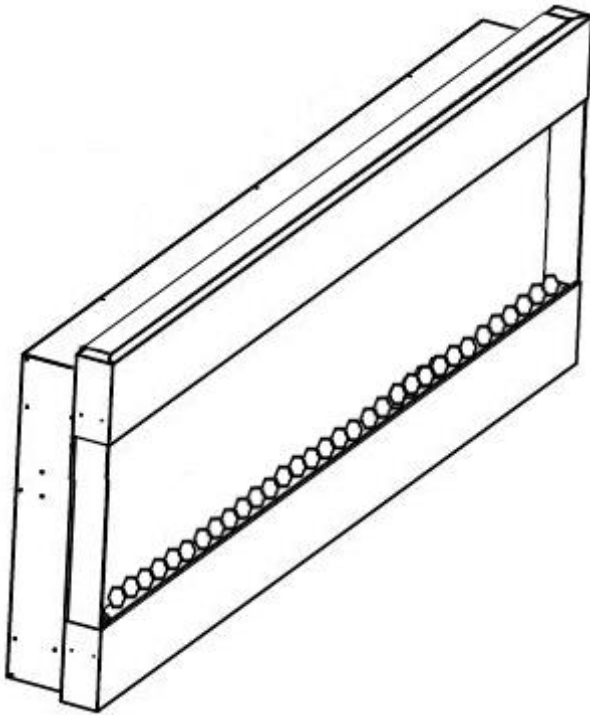
Instructions:

1. Install the plastic strip in the fireplace.



Install Rock and Glass Crystal Media – cont.

2. Once the crystal strip is installed, layer the rocks or glass crystal media on the plastic strip.

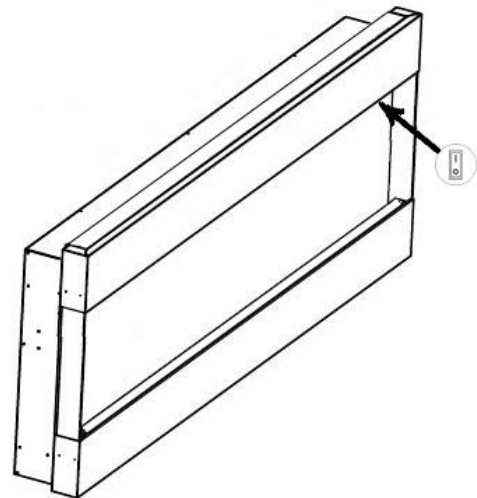


Operating Fireplace

Once the fireplace has been plugged into a grounded outlet, the fireplace is now ready for operation. Ensure that the house circuit breakers for the power supply are turned on.

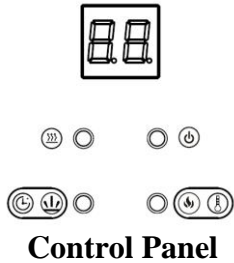
Main Power Switch

This electric fireplace has a MAIN ON/OFF Power Switch which needs to be set to the ON (1) position before the fireplace can be operated via either the control panel or the remote control. Please be sure the switch is moved to the ON position prior to operating the fireplace.



Methods of Operation

This electric fireplace can be operated by the CONTROL PANEL, located on the lower right side of the fireplace, or by the REMOTE CONTROL. The operation and functions of both methods are the same










Control Panel Functions


BUTTON	FUNCTION	ACTION & INDICATION
 POWER	<p>ON: Enables control panel functions and remote control. Turns on the flame effect.</p> <p>OFF: Disables control panel functions and remote control. Turns off the flame effect.</p>	<p>1. Press once. Indicator light turns on. Power turns on. All functions enabled.</p> <p>2. Press again. Flame effect turns off. Unit goes to standby. All functions turn off.</p>
 FLAME COLOR - TEMPERATURE	<p>Adjusts flame color and temperature of the heater</p>	<p>1. Short Press. Cycles through the flame colors.</p> <p>2. Long Press. Changes the temperature of the heater.</p>
 TIMER – FLAME BED COLOR	<p>Adjusts the timer and flame bed color</p>	<p>1. Short Press. Cycles through the flame bed colors.</p> <p>2. Long Press. Changes the length of the shutoff timer.</p>
 HEATER	<p>Heater button: Turns heater on and off.</p> <p>NOTE: The heater only works when the flame effect is on.</p> <p>NOTE: To prevent overheating, the heater fan will blow cool air for 8-10 seconds before the heater turns on, and after the heater turns off.</p>	<p>1. Press once. Display reads LO. Heater is turned on low setting. Fan blows cool air for 10 seconds and 750W heater turns on and blows warm air.</p> <p>2. Press again: Display reads HI. Heater is turned on high setting. 1500W heater turns on and blows hot air.</p> <p>3. Press again. Heater turns off.</p>

Methods of Operation – cont.

Remote Control Functions

BUTTON	FUNCTION	ACTION & INDICATION
 POWER	<p>ON: Enables control panel functions and remote control. Turns on the flame effect.</p> <p>OFF: Disables control panel functions and remove control. Turns off the flame effect.</p>	<ol style="list-style-type: none"> Press once. Indicator light turns on. Power turns on. All functions enabled. Press again. Flame effect turns off. Unit goes to standby. All functions turn off.
 TIMER	<p>Timer button: Control time settings to turn off fireplace at selected time.</p> <p>Settings range from 1 hour to 9 hours.</p>	<ol style="list-style-type: none"> Press once. Indicator light turns on. Timer is set to 1 hour. Press again until desired setting is reached. Display shows timer setting.
 FLAME COLOR	<p>Flame Color button: Changes the color of the flame. There are 9 different flame color options and an option to cycle through all of the color options.</p> <p>NOTE: Flame effect stays on until power button is turned off. Flame effect must be on for heater to turn on.</p>	<ol style="list-style-type: none"> Press once: Each press of the flame button changes the flame brightness. Press again until desired setting is reached. Flame effect continues to get brighter each time button is pressed.
 FLAME BED COLOR	<p>Flame Bed Color button: Changes the color of the flame bed. There are 9 different flame bed color options and an option to cycle through all of the color options.</p>	<ol style="list-style-type: none"> Press once. Each press of the button changes the flame bed color.
 HEATER	<p>Heater button: Turns heater on and off.</p> <p>NOTE: The heater only works when the flame effect is on.</p> <p>NOTE: To prevent overheating, the heater fan will blow cool air for 8-10 seconds before the heater turns on, and after the heater turns off.</p>	<ol style="list-style-type: none"> Press once. Display reads LO. Heater is turned on low setting. Fan blows cool air for 10 seconds and 750W heater turns on and blows warm air. Press again: Display reads HI. Heater is turned on high setting. 1500W heater turns on and blows hot air. Press again. Heater turns off.
 FLAME COLOR LOCK BUTTON	<p>Flame Color Lock button: When in automatic color changing mode, a press of the button locks the current flame color setting.</p>	<ol style="list-style-type: none"> Press once. Locks the current color from changing when on automatic color changing mode. Press again. Turns off lock setting.
 FLAME BED LOCK BUTTON	<p>Flame Bed Lock button: When in automatic color changing mode, a press of the button locks the current flame bed color setting.</p>	<ol style="list-style-type: none"> Press once. Locks the current color from changing when on automatic color changing mode. Press again. Turns off lock setting.

Remote Control Functions – cont.

 <p>TEMPERATURE SETTING</p>	<p>TEMPERATURE button: Changes the temperature of the heater.</p> <p>NOTE: The heater only works when the flame effect is on.</p> <p>NOTE: To prevent overheating, the heater fan will blow cool air for 8-10 seconds before the heater turns on, and after the heater turns off.</p>	<ol style="list-style-type: none"> 1. Press once. Temperature indicator lights up. Temperature range is 62°F to 86°F 2. Press again: To change to the desired temperature.
--	--	--

Remote Control Operation

- This remote control uses one CR-2025 battery (included).
- Instructions for battery installation are located on the back of the remote control.
- To improve operation of the remote control, aim the remote control at the front of the fireplace. **DO NOT PRESS the buttons too quickly.** Give the unit time to respond to each command.
- **NOTICE: NEVER** dispose of batteries in fire. Failure to observe this precaution **may result in an explosion.** Dispose of batteries at your local hazardous material processing center.

Temperature Limiting Control

This heater is equipped with a Temperature Limiting Control. Should the heater reach an unsafe temperature, the heater will automatically **TURN OFF**. To reset, please do the following:

1. Unplug the power cord from the outlet.
2. Turn ON/OFF switch on the CONTROL PANEL to OFF. Wait 5 minutes for fireplace to cool down.
3. Inspect the fireplace to make sure no vents are blocked or clogged with dust or lint. If they are, use a vacuum to clean the vent areas.
4. With the POWER switch in the OFF position, plug the power cord back into the outlet.
5. If the problem continues, have your outlet and wiring inspected by a professional. If the outlet is OK, please contact our customer support department at 800-215-1990.

Care and Maintenance

Cleaning

- **ALWAYS** turn the heater **OFF** and unplug the power cord from the outlet before cleaning, performing maintenance, or moving the fireplace. Failure to do so could result in electric shock, fire, or personal injury.
- **NEVER** immerse in water or spray with water. Doing so could result in electric shock, fire, or personal injury.

Metal:

- Buff using a soft cloth, slightly dampened with citrus oil-based product.
- **DO NOT** use brass polish or household cleaners, as these products will damage the metal trim.

Glass:

- Use a good quality glass cleaner sprayed onto a cloth or towel. Dry thoroughly with a paper towel or lint-free cloth.
- **NEVER** use abrasive cleansers, liquid sprays, or any cleaner that could scratch the surface.

Vents:

- Use a vacuum or duster to remove dust and dirt from the heater and vent areas.

Plastic:

- Wipe gently with a slightly damp cloth and a mild solution of dish soap and warm water.
- **NEVER** use abrasive cleansers, liquid sprays, or any cleaner that could scratch the surface.

Maintenance

- **RISK OF ELECTRIC SHOCK! DO NOT OPEN any panels. No user-serviceable parts inside!**
- **ALWAYS** turn the heater **OFF** and unplug the power cord from the outlet before cleaning, performing maintenance, or moving the fireplace. Failure to do so could result in electric shock, fire, or personal injury.

Electrical and Moving Parts:

- The fan motors are lubricated at the factory and will not require lubrication.
- Electrical components are integrated in the fireplace and are not serviceable by the customer.

Storage:

- Store fireplace in a clean, dry place when not in use.

Warranty

Touchstone Home Products Limited Warranty

Touchstone Home Products®, Inc offers a one (1) year limited warranty on all our electric fireplaces. The one (1) year warranty starts on the date of purchase and expires 1 calendar year from the original date of purchase.

Electrical components, such as fan motor, heater motor, control board, remote control, LED lights and control panel are covered under warranty for one year from date of purchase. Touchstone Home Products® will provide replacement parts free of charge during the first year of the warranty.

Touchstone Home Products® will not be responsible for installation, labor, or any other expenses related to the reinstallation of a warranted part, and such expenses are not covered under warranty.

Conditions and Limitations

Touchstone Home Products®, Inc warrants our electric fireplaces to be free of defects in material and workmanship to the original purchaser only. Registering your warranty is not necessary. Just provide your proof of purchase along with the model fireplace to make a warranty claim.

Warranty coverage begins on the date of purchase.

The factory warranty is non-transferrable.

Touchstone Home Products®, Inc does not cover damages caused by abuse, accident, alterations, lack of maintenance, misuse, or neglect. Parts installed from other manufacturers will void the warranty.

Touchstone will repair or replace any fireplace or fireplace part that is deemed defective or becomes defective during normal use within one (1) year after the date of purchase.

Replacement parts and replacement fireplace units are covered under a 90-day warranty or the remainder of the original one (1) year manufacturer's warranty from original date of purchase, whichever is greater.

Touchstone Home Products®, Inc does not warrant its products against damage caused by third parties.

The warranty does not cover paint scratches, cosmetic blemishes, dents, corrosion, or other normal wear and tear associated with the fireplace. Damage to fireplace or other components due to water, weather damage, long periods of dampness, condensation, damaging chemicals or cleaners are not covered under warranty.

Touchstone Home Products®, Inc limited warranty does not cover accidental breakage of fireplace glass panel.

Extended warranty coverage for the fireplace is available by contacting Touchstone Home Products® directly at 1-800-215-1990.

 **CALL US FIRST!** 
DO NOT RETURN TO STORE.

For immediate help with assembly, product information,
or if your product arrives damaged, call our toll-free number at

800-215-1990

or email:

customerservice@thpus.com

Our staff is ready to provide assistance.

Affix Serial Number Label Here