

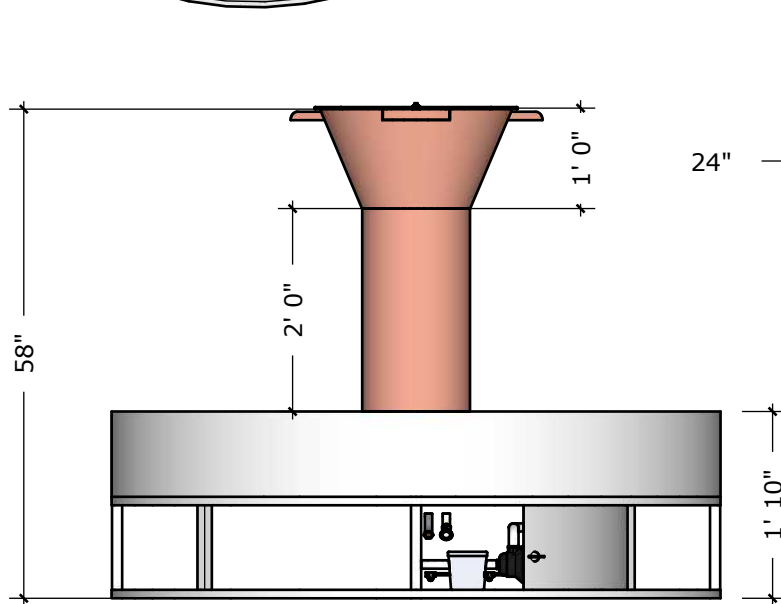
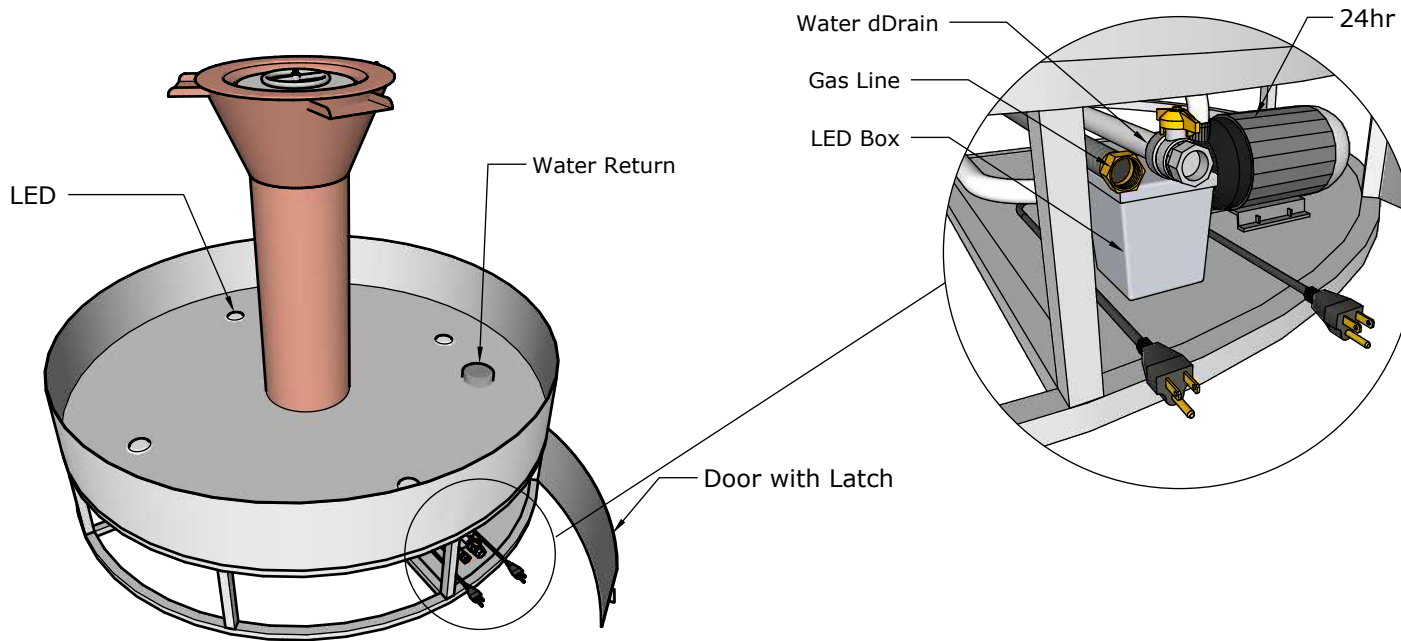


THE OUTDOOR PLUS

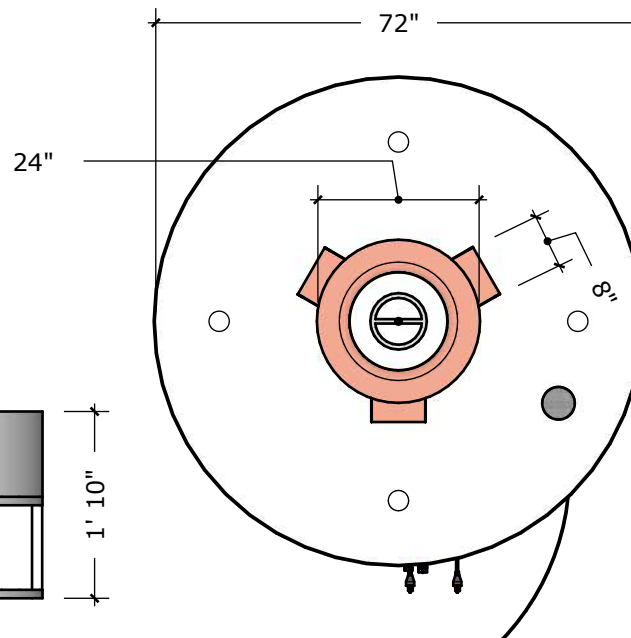
701 S Dupont Ave
Ontario CA 91761
Office: (909) 460-5579

Name	72" Olympian - 3-way
Part #	OPT-OLT723W(X)
Author	Madeline S.

Material	316 Stainless Steel
Finish	Powder Coated
Gas Type	NG or LP
GPM	45-60
BTUs	65,000
Sugg. Fire Glass	50LBS



TOP



SIDE