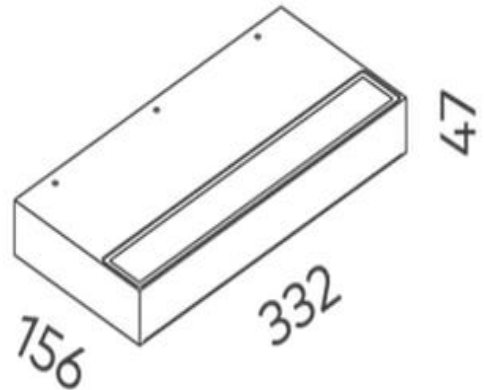
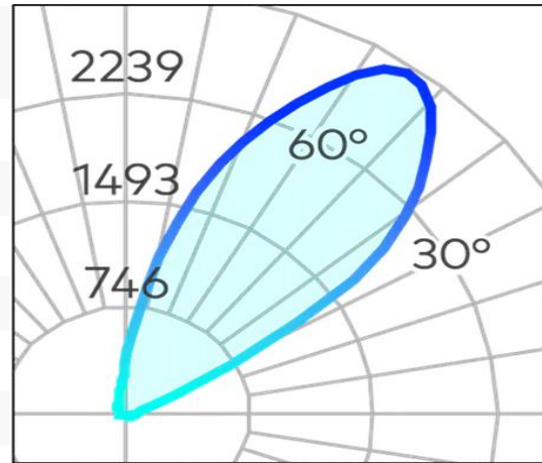


## Vespa Asymmetrical Wall Light SMD 36W



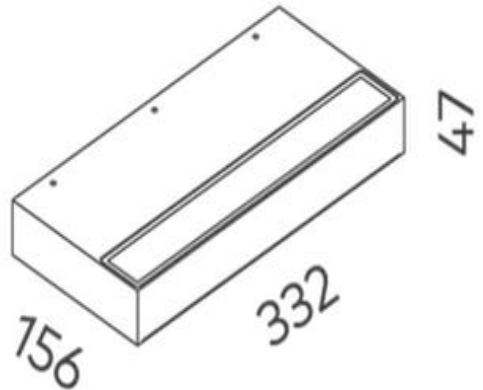
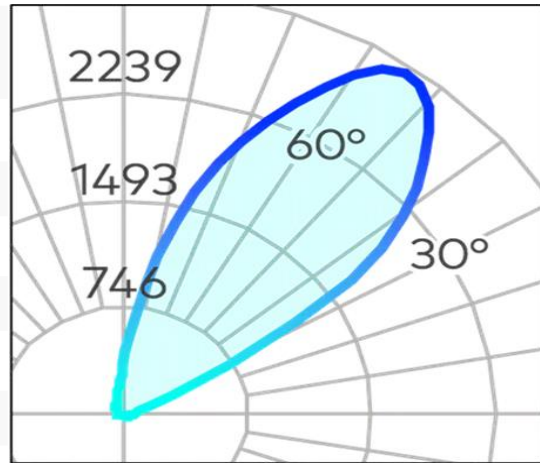
<b>Product Code-</b>	<b>IFL-VESP0036.TB30.F-DALI</b>
Wattage-	36W
Voltage	240v AC
Colour Temperature (k)-	3000K
Beam Angle-	120°
Optional Degree	N/A
Lumen output-	3158
Lamp Base-	SMD
CRI-	80+
Ip Rating-	IP65
Dimmable	Yes
Mounting Type-	Wall Mount
Material-	Aluminium
Colour-	Black
Warranty-	5 Years Replacement



## Vespa Asymmetrical Wall Light SMD 36W



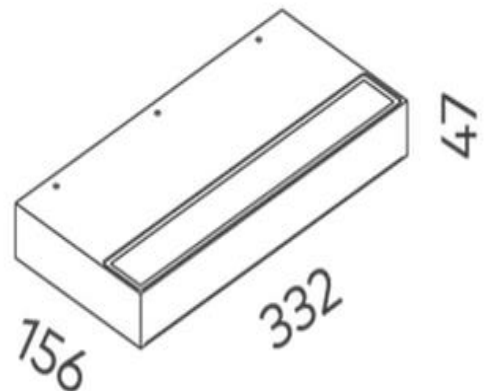
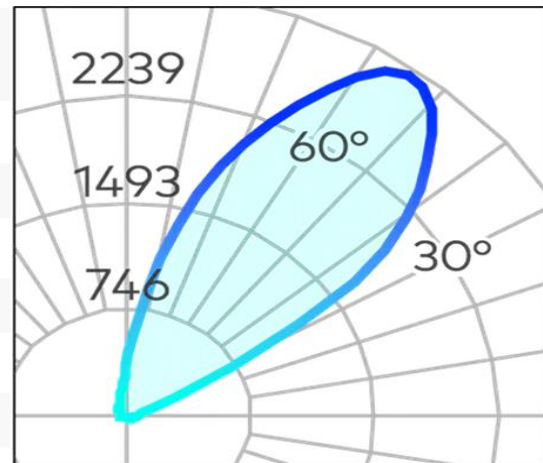
<b>Product Code-</b>	<b>IFL-VESP0036.TB40.F-DALI</b>
Wattage-	36W
Voltage	240v AC
Colour Temperature (k)-	4000K
Beam Angle-	120°
Optional Degree	N/A
Lumen output-	3410
Lamp Base-	SMD
CRI-	80+
Ip Rating-	IP65
Dimmable	Yes
Mounting Type-	Wall Mount
Material-	Aluminium
Colour-	Black
Warranty-	5 Years Replacement



## Vespa Asymmetrical Wall Light SMD 36W



<b>Product Code-</b>	<b>IFL-VESP0036.TW30.F-DALI</b>
Wattage-	36W
Voltage	240v AC
Colour Temperature (k)-	3000K
Beam Angle-	120°
Optional Degree	N/A
Lumen output-	3158
Lamp Base-	SMD
CRI-	80+
Ip Rating-	IP65
Dimmable	Yes
Mounting Type-	Wall Mount
Material-	Aluminium
Colour-	White
Warranty-	5 Years Replacement



## Vespa Asymmetrical Wall Light SMD 36W



<b>Product Code-</b>	<b>IFL-VESP0036.TW40.F-DALI</b>
Wattage-	36W
Voltage	240v AC
Colour Temperature (k)-	4000K
Beam Angle-	120°
Optional Degree	N/A
Lumen output-	3410
Lamp Base-	SMD
CRI-	80+
Ip Rating-	IP65
Dimmable	Yes
Mounting Type-	Wall Mount
Material-	Aluminium
Colour-	White
Warranty-	5 Years Replacement

