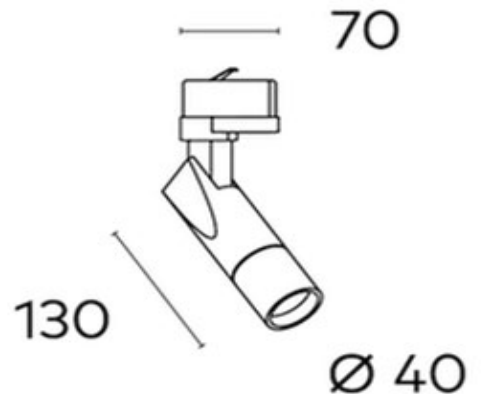
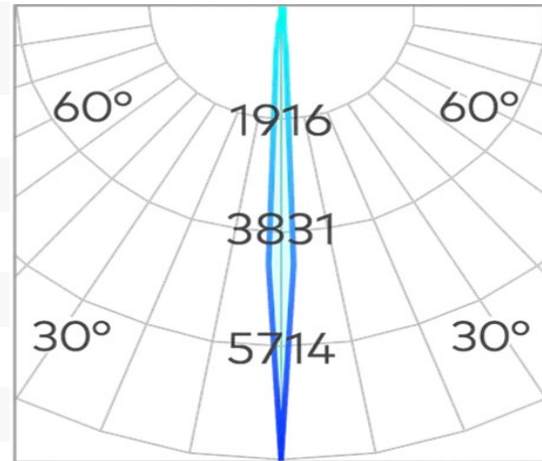


Scope TR40 Three Circuit Track Spotlight COB 2W



Product Code-	IFL-SCTR3002.TB30.P
Wattage-	2W
Voltage	240v AC
Colour Temperature (k)-	3000K
Beam Angle-	5°
Optional Degree	15°/24°
Lumen output-	162
Lamp Base-	COB
CRI-	90+
Ip Rating-	IP20
Dimmable	YES
Mounting Type-	Track Mount
Material-	Aluminium
Colour-	Black
Warranty-	5 Years Replacement



Scope TR40 Three Circuit Track Spotlight COB 2W



Product Code-	IFL-SCTR3002.TW30.P
Wattage-	2W
Voltage	240v AC
Colour Temperature (k)-	3000K
Beam Angle-	5°
Optional Degree	15°/24°
Lumen output-	162
Lamp Base-	COB
CRI-	90+
Ip Rating-	IP20
Dimmable	YES
Mounting Type-	Track Mount
Material-	Aluminium
Colour-	White
Warranty-	5 Years Replacement

