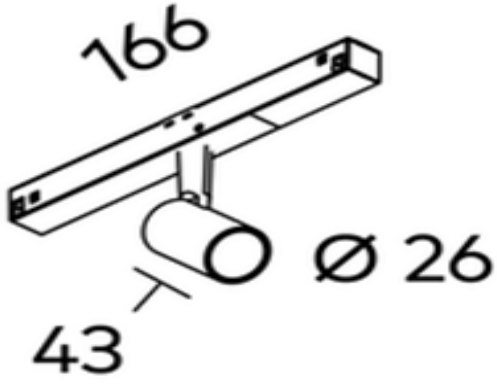
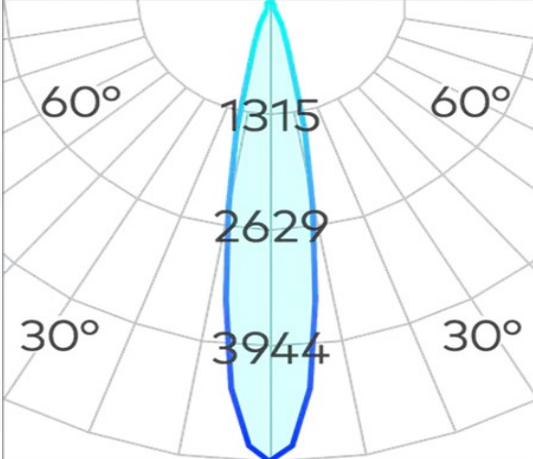


S26 Single Spotlight for FX Track COB 2W



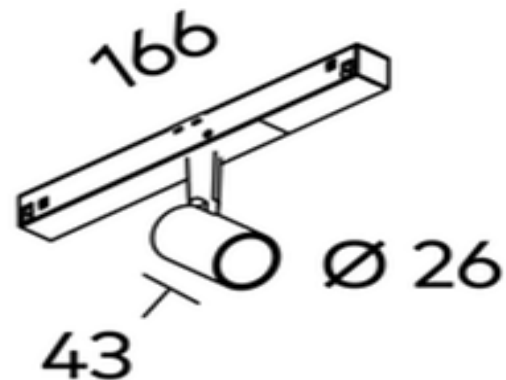
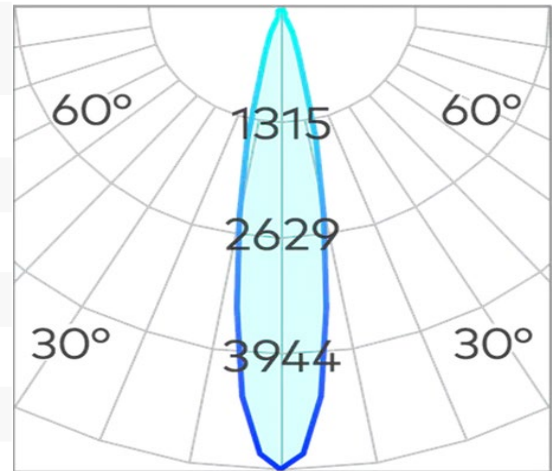
Product Code-	IFL-S26S0002.BB30.P
Wattage-	2W
Voltage	48v DC
Colour Temperature (k)-	3000K
Beam Angle-	12°
Optional Degree	20°
Lumen output-	103
Lamp Base-	COB
CRI-	92+
Ip Rating-	IP20
Dimmable	YES
Mounting Type-	Track Mount
Material-	Aluminium
Colour-	Black
Warranty-	5 Years Replacement



S26 Single Spotlight for FX Track COB 2W



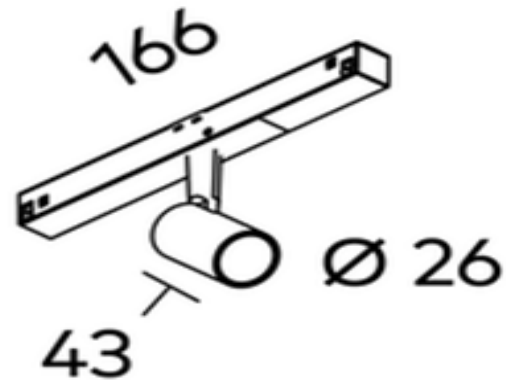
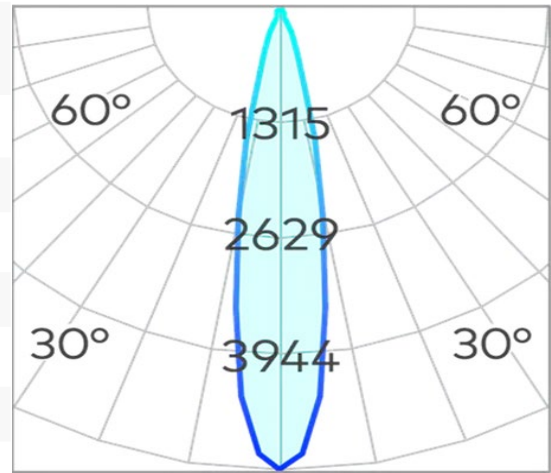
Product Code-	IFL-S26S0002.BB40.P
Wattage-	2W
Voltage	48v DC
Colour Temperature (k)-	4000K
Beam Angle-	12°
Optional Degree	20°
Lumen output-	112
Lamp Base-	COB
CRI-	92+
Ip Rating-	IP20
Dimmable	YES
Mounting Type-	Track Mount
Material-	Aluminium
Colour-	Black
Warranty-	5 Years Replacement



S26 Single Spotlight for FX Track COB 2W



Product Code-	IFL-S26S0002.WB30.P
Wattage-	2W
Voltage	48v DC
Colour Temperature (k)-	3000K
Beam Angle-	12°
Optional Degree	20°
Lumen output-	103
Lamp Base-	COB
CRI-	92+
Ip Rating-	IP20
Dimmable	YES
Mounting Type-	Track Mount
Material-	Aluminium
Colour-	White
Warranty-	5 Years Replacement



S26 Single Spotlight for FX Track COB 2W



Product Code-	IFL-S26S0002.WB40.P
Wattage-	2W
Voltage	48v DC
Colour Temperature (k)-	4000K
Beam Angle-	12°
Optional Degree	20°
Lumen output-	112
Lamp Base-	COB
CRI-	92+
Ip Rating-	IP20
Dimmable	YES
Mounting Type-	Track Mount
Material-	Aluminium
Colour-	White
Warranty-	5 Years Replacement

