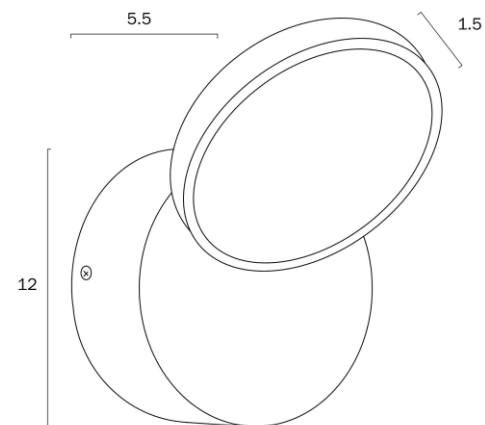


## NETRA TILT SURFACE LED DOWNLIGHT 3CCT SMD 15w



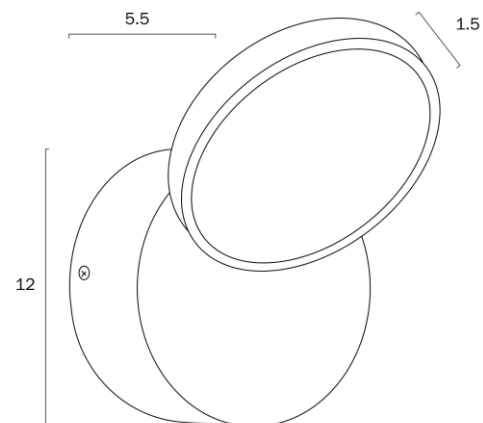
|                         |                          |
|-------------------------|--------------------------|
| <b>Product Code-</b>    | <b>IFL-NETRA-DL15-BK</b> |
| Wattage-                | 15w                      |
| Voltage                 | 240v AC                  |
| Colour Temperature (k)- | 3000K, 4000K, 5000K      |
| Beam Angle-             | 120°                     |
| Lumen output-           | 1200                     |
| Lamp Base-              | LED integrated SMD       |
| CRI-                    | 80+                      |
| Ip Rating-              | IP20                     |
| Dimmable                | Yes                      |
| Mounting Type-          | Surface                  |
| Material-               | Aluminium                |
| Colour-                 | Black                    |
| Warranty-               | 3 Years Replacement      |



## NETRA TILT SURFACE LED DOWNLIGHT 3CCT SMD 15w



|                         |                            |
|-------------------------|----------------------------|
| <b>Product Code-</b>    | <b>IFL-NETRA-DL15-BKGD</b> |
| Wattage-                | 15w                        |
| Voltage                 | 240v AC                    |
| Colour Temperature (k)- | 3000K, 4000K, 5000K        |
| Beam Angle-             | 120°                       |
| Lumen output-           | 1200                       |
| Lamp Base-              | LED integrated SMD         |
| CRI-                    | 80+                        |
| Ip Rating-              | IP20                       |
| Dimmable                | Yes                        |
| Mounting Type-          | Surface                    |
| Material-               | Aluminium                  |
| Colour-                 | Black, Gold                |
| Warranty-               | 3 Years Replacement        |



## NETRA TILT SURFACE LED DOWNLIGHT 3CCT SMD 15w



|                         |                          |
|-------------------------|--------------------------|
| <b>Product Code-</b>    | <b>IFL-NETRA-DL15-WH</b> |
| Wattage-                | 15w                      |
| Voltage                 | 240v AC                  |
| Colour Temperature (k)- | 3000K, 4000K, 5000K      |
| Beam Angle-             | 120°                     |
| Lumen output-           | 1200                     |
| Lamp Base-              | LED integrated SMD       |
| CRI-                    | 80+                      |
| Ip Rating-              | IP20                     |
| Dimmable                | Yes                      |
| Mounting Type-          | Surface                  |
| Material-               | Aluminium                |
| Colour-                 | White                    |
| Warranty-               | 3 Years Replacement      |

