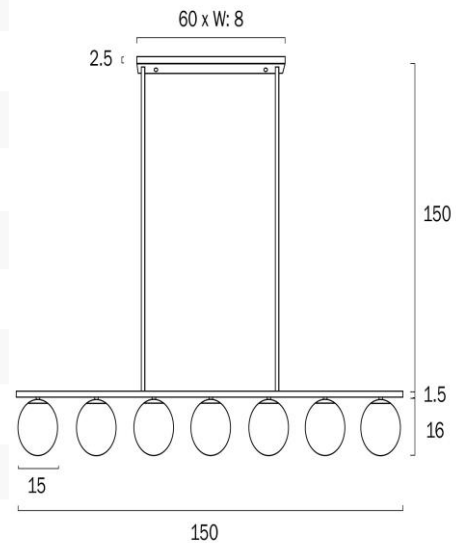


## MARSTEN 7 LIGHTS PENDANT E27 25w



|                         |                             |
|-------------------------|-----------------------------|
| <b>Product Code-</b>    | <b>IFL-MARSTEN-PE7-AGOM</b> |
| Wattage-                | 25w                         |
| Voltage                 | 240v AC                     |
| Colour Temperature (k)- | Globe Dependant             |
| Beam Angle-             | 360°                        |
| Lumen output-           | Globe Dependant             |
| Lamp Base-              | E27                         |
| CRI-                    | Globe Dependant             |
| Ip Rating-              | IP20                        |
| Dimmable                | Globe Dependant             |
| Mounting Type-          | Surface                     |
| Material-               | Iron, Glass                 |
| Colour-                 | Antique Gold, Opal Matt     |
| Warranty-               | 3 Years Replacement         |



## MARSTEN 7 LIGHTS PENDANT E27 25w



|                         |                                |
|-------------------------|--------------------------------|
| Product Code-           | IFL-MARSTEN-PE7-BKOM           |
| Wattage-                | 25w                            |
| Voltage                 | 240v AC                        |
| Colour Temperature (k)- | Globe Dependant                |
| Beam Angle-             | 360°                           |
| Lumen output-           | Globe Dependant                |
| Lamp Base-              | E27                            |
| CRI-                    | Globe Dependant                |
| Ip Rating-              | IP20                           |
| Dimmable                | Globe Dependant                |
| Mounting Type-          | Surface                        |
| Material-               | Iron, Glass                    |
| Colour-                 | Black, Opal Matt, Antique Gold |
| Warranty-               | 3 Years Replacement            |

