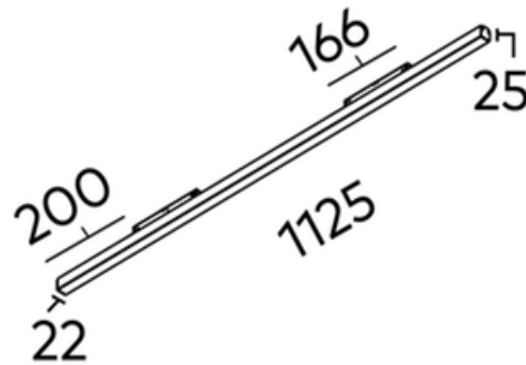
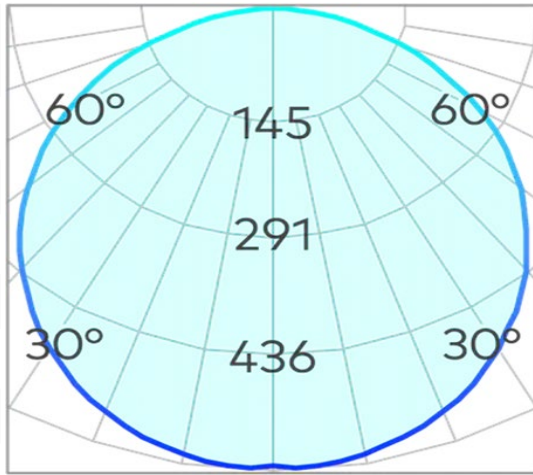


L11 1125mm Linear Profile for FX Track COB 25W



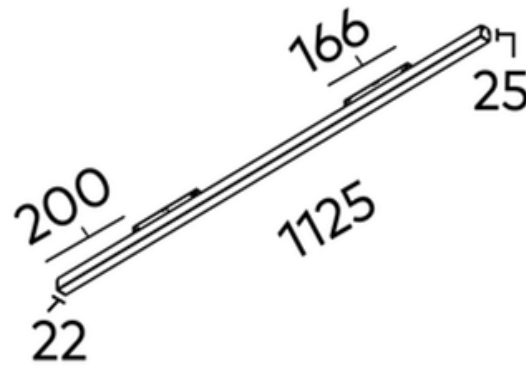
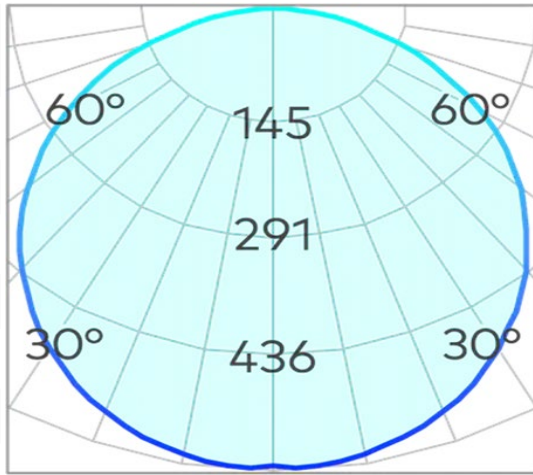
Product Code-	IFL-LL110025.TB30.F
Wattage-	25W
Voltage	48v DC
Colour Temperature (k)-	3000K
Beam Angle-	115°
Optional Degree	N/A
Lumen output-	1711
Lamp Base-	COB
CRI-	90+
Ip Rating-	IP20
Dimmable	Yes
Mounting Type-	Track Mount
Material-	Aluminium
Colour-	Black
Warranty-	5 Years Replacement



L11 1125mm Linear Profile for FX Track COB 25W



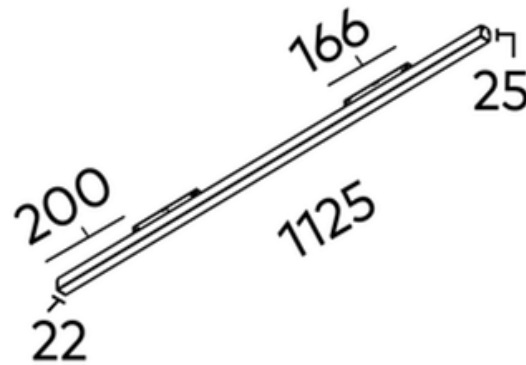
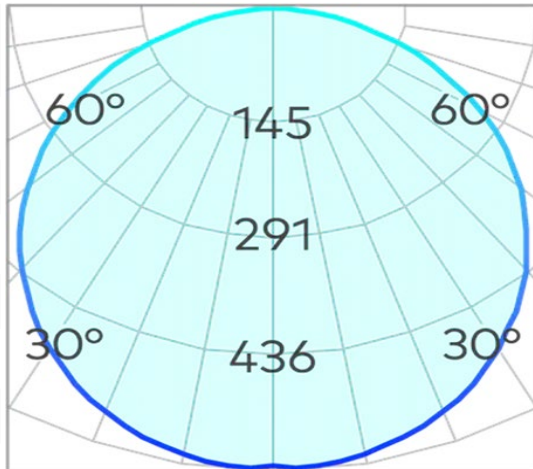
Product Code-	IFL-LL110025.TB40.F
Wattage-	25W
Voltage	48v DC
Colour Temperature (k)-	4000K
Beam Angle-	115°
Optional Degree	N/A
Lumen output-	1812
Lamp Base-	COB
CRI-	90+
Ip Rating-	IP20
Dimmable	Yes
Mounting Type-	Track Mount
Material-	Aluminium
Colour-	Black
Warranty-	5 Years Replacement



L11 1125mm Linear Profile for FX Track COB 25W



Product Code-	IFL-LL110025.TW30.F
Wattage-	25W
Voltage	48v DC
Colour Temperature (k)-	3000K
Beam Angle-	115°
Optional Degree	N/A
Lumen output-	1711
Lamp Base-	COB
CRI-	90+
Ip Rating-	IP20
Dimmable	Yes
Mounting Type-	Track Mount
Material-	Aluminium
Colour-	White
Warranty-	5 Years Replacement



L11 1125mm Linear Profile for FX Track COB 25W



Product Code-	IFL-LL110025.TW40.F
Wattage-	25W
Voltage	48v DC
Colour Temperature (k)-	4000K
Beam Angle-	115°
Optional Degree	N/A
Lumen output-	1812
Lamp Base-	COB
CRI-	90+
Ip Rating-	IP20
Dimmable	Yes
Mounting Type-	Track Mount
Material-	Aluminium
Colour-	White
Warranty-	5 Years Replacement

