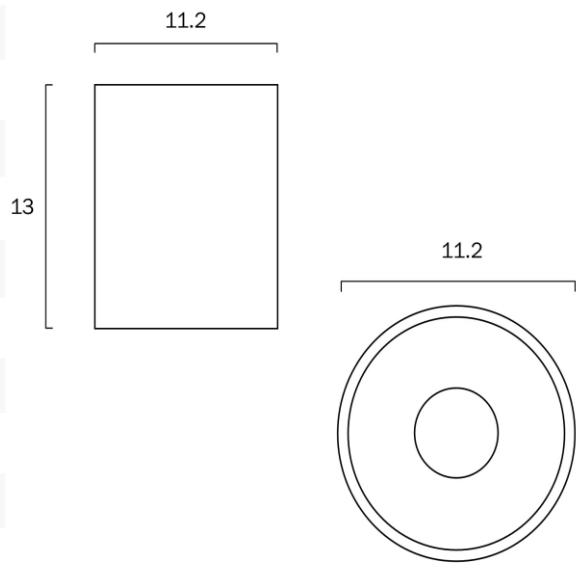


KEON CTC LED SIM BLACK COB 20w



Product Code-	IFL-KEON-20-BK83
Wattage-	20w
Voltage	240v AC
Colour Temperature (k)-	3000K
Beam Angle-	40°
Lumen output-	1700
Lamp Base-	LED integrated SMD
CRI-	84+
Ip Rating-	IP20
Dimmable	Yes
Mounting Type-	Surface
Material-	Aluminium
Colour-	Black
Warranty-	3 Years Replacement



KEON CTC LED SIM BLACK COB 20w



Product Code- IFL-KEON-20-BK85

Wattage- 20w

Voltage 240v AC

Colour Temperature (k)- 5000K

Beam Angle- 40°

Lumen output- 1700

Lamp Base- LED integrated SMD

CRI- 84+

Ip Rating- IP20

Dimmable Yes

Mounting Type- Surface

Material- Aluminium

Colour- Black

Warranty- 3 Years Replacement

