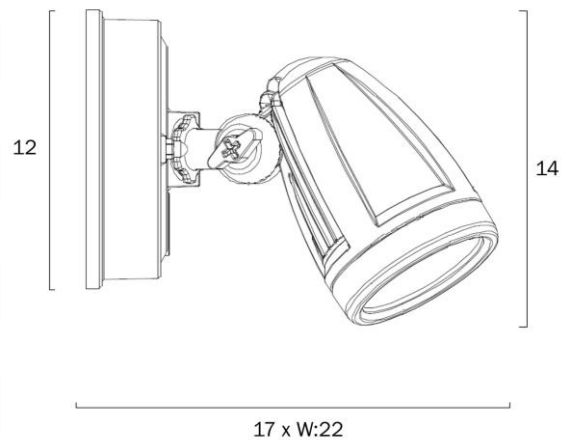


## ILLUME TWIN EXTERIOR SPOT SENSOR SMD 10w



<b>Product Code-</b>	<b>IFL-ILLUME-EX2-BK</b>
Wattage-	10w
Voltage	240v AC
Colour Temperature (k)-	5000K
Beam Angle-	80°
Lumen output-	1600
Lamp Base-	LED integrated SMD
CRI-	80+
Ip Rating-	IP44
Dimmable	No
Mounting Type-	Surface
Material-	Aluminium, Polycarbonate
Colour-	Black
Warranty-	3 Years Replacement



## ILLUME TWIN EXTERIOR SPOT SENSOR SMD 10w



<b>Product Code-</b>	<b>IFL-ILLUME-EX2-SL</b>
Wattage-	10w
Voltage	240v AC
Colour Temperature (k)-	5000K
Beam Angle-	80°
Lumen output-	1600
Lamp Base-	LED integrated SMD
CRI-	80+
Ip Rating-	IP44
Dimmable	No
Mounting Type-	Surface
Material-	Aluminium, Polycarbonate
Colour-	Silver
Warranty-	3 Years Replacement

