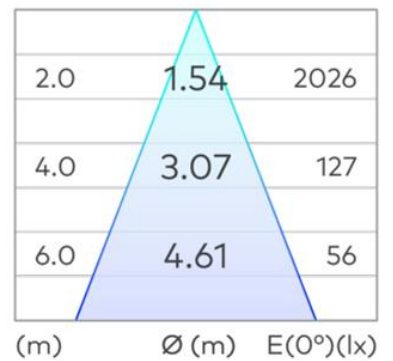
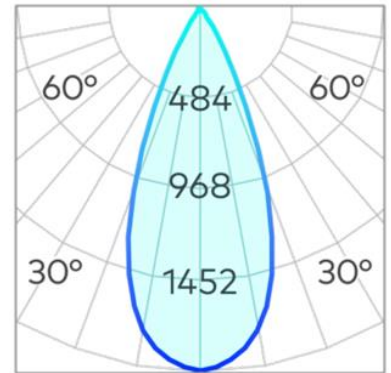
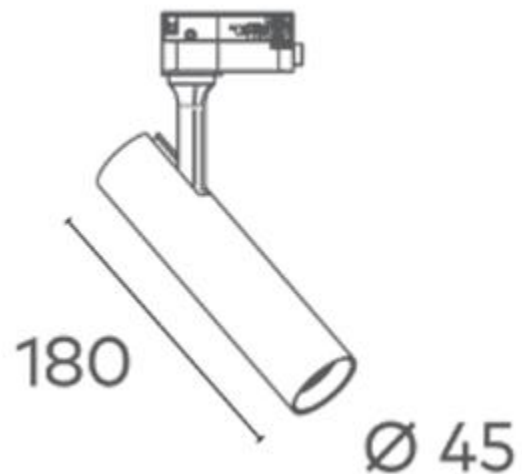


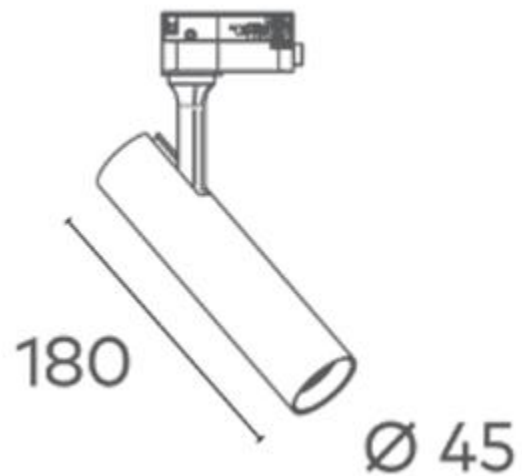
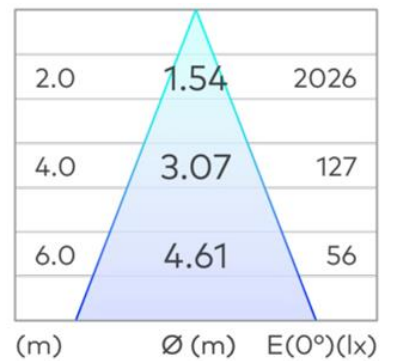
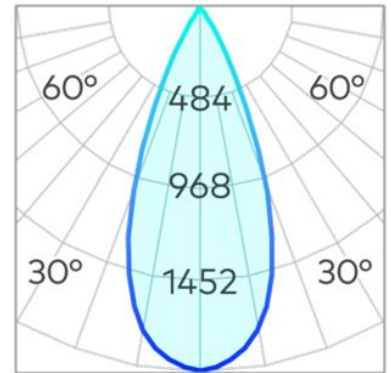
EQ Tracklight MX1 COB 10W



Product Code-	IFL-EQET1010.TB30.M
Wattage-	10W
Voltage	240v AC
Colour Temperature (k)-	3000K
Beam Angle-	40°
Optional Degree	N/A
Lumen output-	968
Lamp Base-	COB
CRI-	90+
Ip Rating-	IP20
Dimmable	YES
Mounting Type-	Track Mount
Material-	Aluminium
Colour-	Black
Warranty-	3 Years Replacement

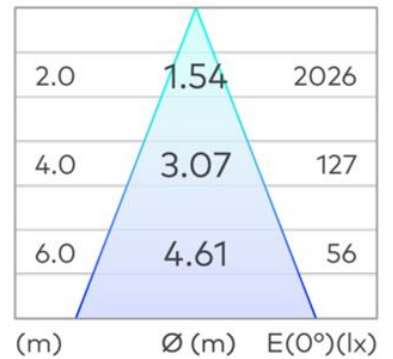
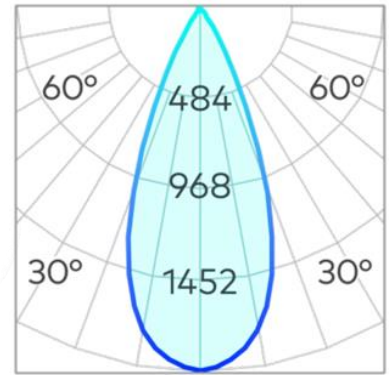


EQ Tracklight MX1 COB 10W

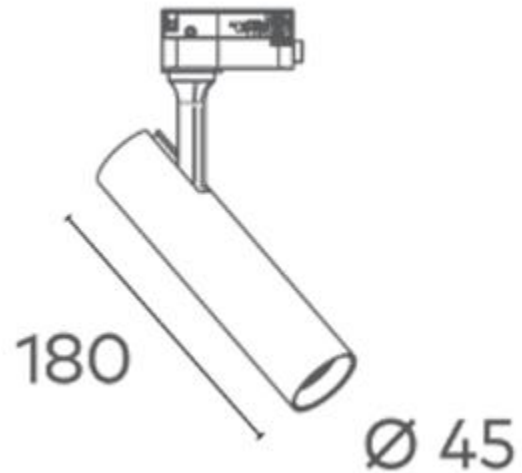


Product Code-	IFL-EQET1010.TW40.M
Wattage-	10W
Voltage	240v AC
Colour Temperature (k)-	4000K
Beam Angle-	40°
Optional Degree	N/A
Lumen output-	1045
Lamp Base-	COB
CRI-	90+
Ip Rating-	IP20
Dimmable	YES
Mounting Type-	Track Mount
Material-	Aluminium
Colour-	White
Warranty-	3 Years Replacement

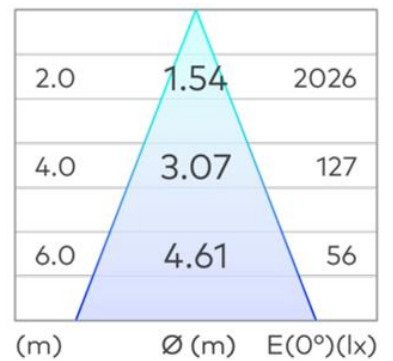
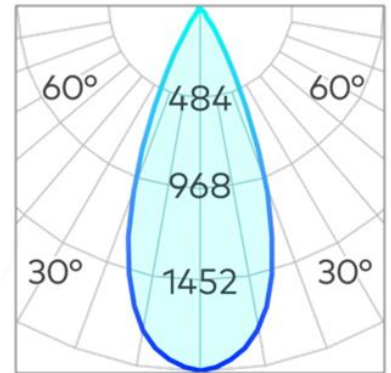
EQ Tracklight MX1 COB 10W



Product Code-	IFL-EQET1010.TW30.M
Wattage-	10W
Voltage	240v AC
Colour Temperature (k)-	3000K
Beam Angle-	40°
Optional Degree	N/A
Lumen output-	968
Lamp Base-	COB
CRI-	90+
Ip Rating-	IP20
Dimmable	YES
Mounting Type-	Track Mount
Material-	Aluminium
Colour-	White
Warranty-	3 Years Replacement



EQ Tracklight MX1 COB 10W



Product Code-	IFL-EQET1010.TB40.M
Wattage-	10W
Voltage	240v AC
Colour Temperature (k)-	4000K
Beam Angle-	40°
Optional Degree	N/A
Lumen output-	1045
Lamp Base-	COB
CRI-	90+
Ip Rating-	IP20
Dimmable	YES
Mounting Type-	Track Mount
Material-	Aluminium
Colour-	Black
Warranty-	3 Years Replacement

