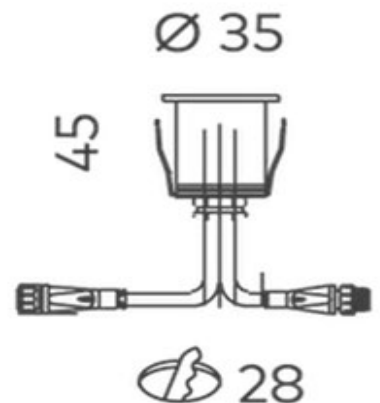
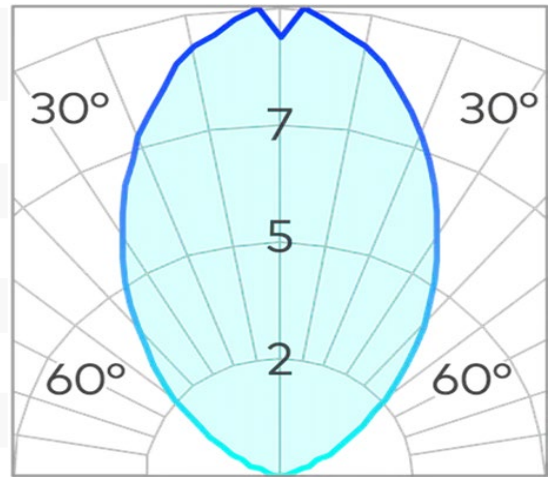


Emerald Decklight Round COB 0.6W



Product Code-	IFL-EDKR0001.SS30.W
Wattage-	0.6W
Voltage	24v DC
Colour Temperature (k)-	3000K
Beam Angle-	70°
Optional Degree	N/A
Lumen output-	33
Lamp Base-	COB
CRI-	80+
Ip Rating-	IP67
Dimmable	No
Mounting Type-	In-Ground
Material-	Aluminium
Colour-	Stainless Steel
Warranty-	3 Years Replacement



Emerald Decklight Round COB 0.6W



Product Code-	IFL-EDKR0001.SS40.W
Wattage-	0.6W
Voltage	24v DC
Colour Temperature (k)-	4000K
Beam Angle-	70°
Optional Degree	N/A
Lumen output-	33
Lamp Base-	COB
CRI-	80+
Ip Rating-	IP67
Dimmable	No
Mounting Type-	In-Ground
Material-	Aluminium
Colour-	Stainless Steel
Warranty-	3 Years Replacement

