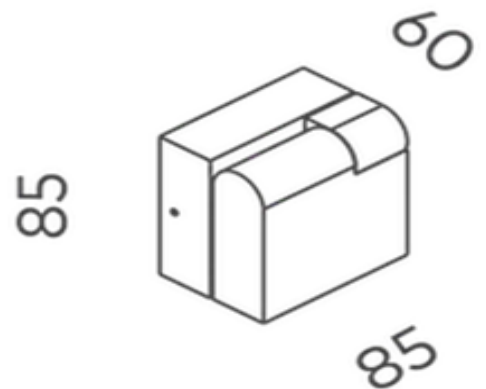
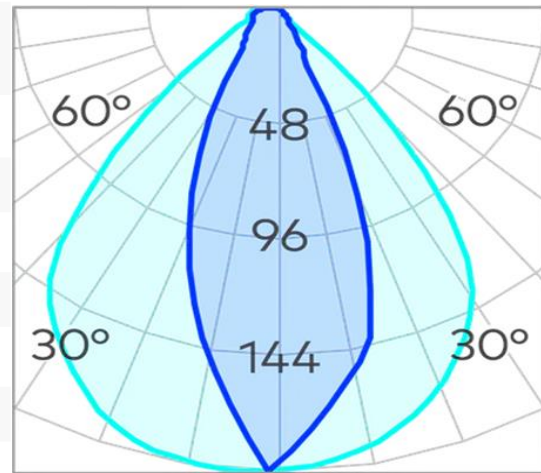


Codex Wall Light Integral 3 Step Dimmable Driver SMD 4W



Product Code-	IFL-CODX0004.TB30.F
Wattage-	4W
Voltage	240v AC
Colour Temperature (k)-	3000K
Beam Angle-	80°
Optional Degree	N/A
Lumen output-	180
Lamp Base-	SMD
CRI-	80+
Ip Rating-	IP20
Dimmable	Yes
Mounting Type-	Wall Mount
Material-	Aluminium
Colour-	Black
Warranty-	3 Years Replacement



Codex Wall Light Integral 3 Step Dimmable Driver SMD 4W



Product Code-	IFL-CODX0004.TW30.F
Wattage-	4W
Voltage	240v AC
Colour Temperature (k)-	3000K
Beam Angle-	80°
Optional Degree	N/A
Lumen output-	180
Lamp Base-	SMD
CRI-	80+
Ip Rating-	IP20
Dimmable	Yes
Mounting Type-	Wall Mount
Material-	Aluminium
Colour-	White
Warranty-	3 Years Replacement

