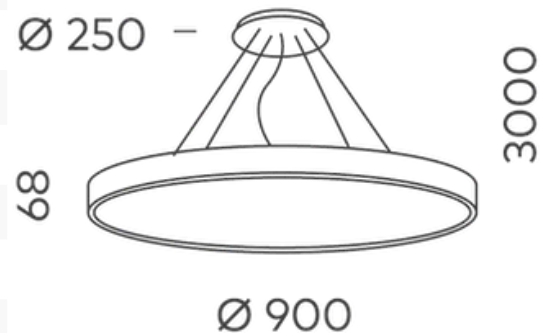
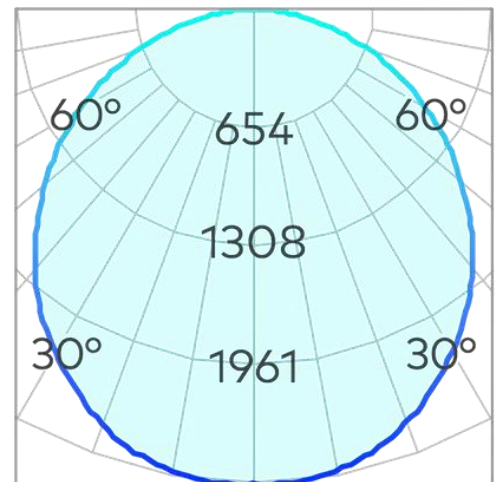


Akira Round 900mm Suspended 90w



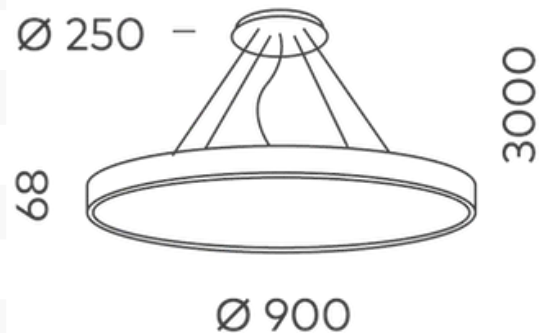
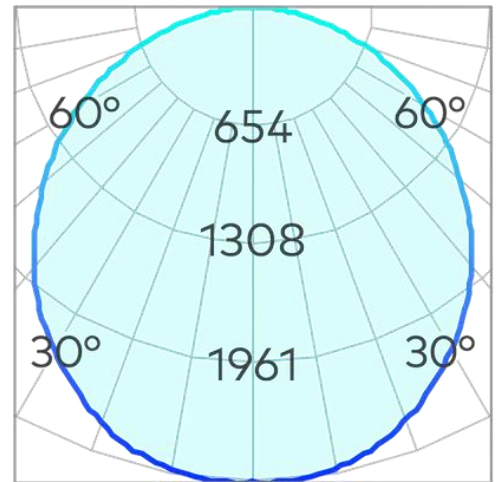
Product Code-	IFL-AKIR0900.TB30.F- AKIR0900.TBSK
Wattage-	90W
Voltage	240v AC
Colour Temperature (k)-	3000K
Beam Angle-	110°
Optional Degree	N/A
Lumen output-	7512
Lamp Base-	SMD
CRI-	80+
Ip Rating-	IP20
Dimmable	N/A
Mounting Type-	Suspended
Material-	Aluminium
Colour-	Black
Warranty-	5 Years Replacement



Akira Round 900mm Suspended 90w



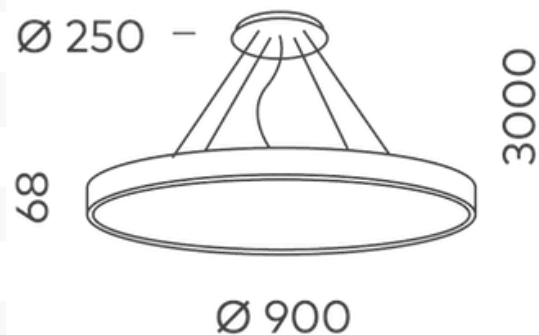
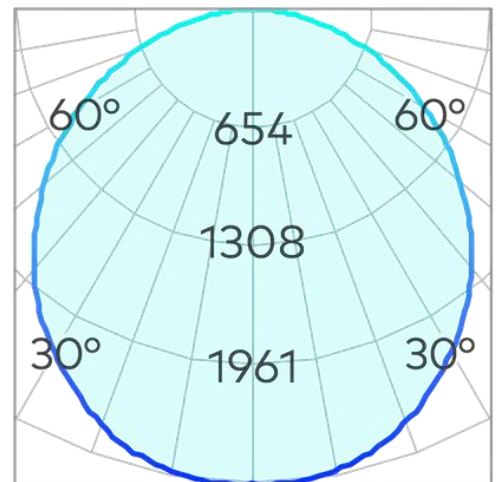
Product Code-	IFL-AKIR0900.TB40.F- AKIR0900.TBSK
Wattage-	90W
Voltage	240v AC
Colour Temperature (k)-	4000K
Beam Angle-	110°
Optional Degree	N/A
Lumen output-	7917
Lamp Base-	SMD
CRI-	80+
Ip Rating-	IP20
Dimmable	N/A
Mounting Type-	Suspended
Material-	Aluminium
Colour-	Black
Warranty-	5 Years Replacement



Akira Round 900mm Suspended 90w



Product Code-	IFL-AKIR0900.TW30.F- AKIR0900.TWSK
Wattage-	90W
Voltage	240v AC
Colour Temperature (k)-	3000K
Beam Angle-	110°
Optional Degree	N/A
Lumen output-	7512
Lamp Base-	SMD
CRI-	80+
Ip Rating-	IP20
Dimmable	N/A
Mounting Type-	Suspended
Material-	Aluminium
Colour-	White
Warranty-	5 Years Replacement



Akira Round 900mm Suspended 90w



Product Code-	IFL-AKIR0900.TW40.F- AKIR0900.TWSK
Wattage-	90W
Voltage	240v AC
Colour Temperature (k)-	4000K
Beam Angle-	110°
Optional Degree	N/A
Lumen output-	7917
Lamp Base-	SMD
CRI-	80+
Ip Rating-	IP20
Dimmable	N/A
Mounting Type-	Suspended
Material-	Aluminium
Colour-	White
Warranty-	5 Years Replacement

