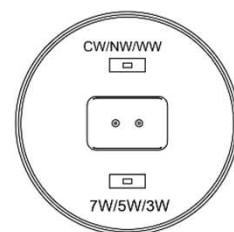
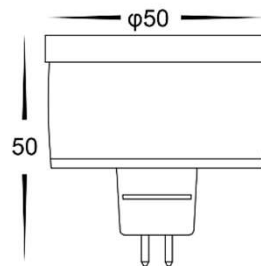


Colour 9in1 12v DC Globe MR16 3-7w



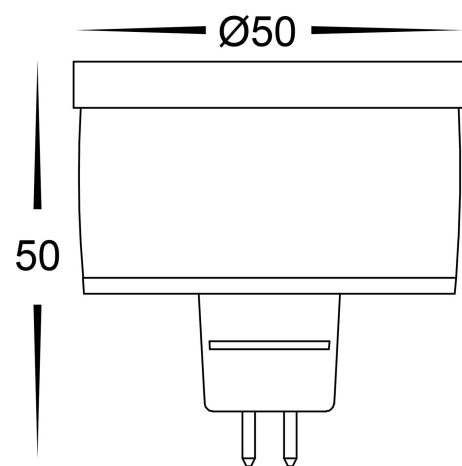
| | |
|-------------------------|---------------------|
| Product Code- | IFL-9507 |
| Wattage- | 3-7w |
| Voltage | 12v DC |
| Colour Temperature (k)- | 3000K, 4000K, 5500K |
| Beam Angle- | 60° |
| Lumen output- | 240-630 |
| Lamp Base- | MR16 |
| CRI- | 80+ |
| Ip Rating- | IP20 |
| Dimmable | Yes |
| Mounting Type- | N/A |
| Material- | Aluminium + PC |
| Colour- | Silver + White |
| Warranty- | 3 Years Replacement |



Red 12v DC LED Globe MR16 5w



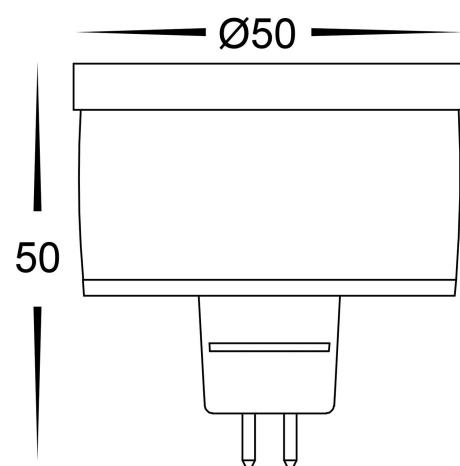
| | |
|-------------------------|---------------------|
| Product Code- | IFL-9507R |
| Wattage- | 5w |
| Voltage | 12v DC |
| Colour Temperature (k)- | Red |
| Beam Angle- | 60° |
| Lumen output- | N/A |
| Lamp Base- | MR16 |
| CRI- | 80+ |
| Ip Rating- | IP20 |
| Dimmable | Yes |
| Mounting Type- | N/A |
| Material- | Aluminium + PC |
| Colour- | Silver |
| Warranty- | 3 Years Replacement |



Green 12v DC LED Globe MR16 5w



| | |
|-------------------------|---------------------|
| Product Code- | IFL-9507G |
| Wattage- | 5w |
| Voltage | 12v DC |
| Colour Temperature (k)- | Green |
| Beam Angle- | 60° |
| Lumen output- | N/A |
| Lamp Base- | MR16 |
| CRI- | 80+ |
| Ip Rating- | IP20 |
| Dimmable | Yes |
| Mounting Type- | N/A |
| Material- | Aluminium + PC |
| Colour- | Silver |
| Warranty- | 3 Years Replacement |



Blue 12v DC LED Globe MR16 5w



| | |
|-------------------------|---------------------|
| Product Code- | IFL-9507B |
| Wattage- | 5w |
| Voltage | 12v DC |
| Colour Temperature (k)- | Blue |
| Beam Angle- | 60° |
| Lumen output- | N/A |
| Lamp Base- | MR16 |
| CRI- | 80+ |
| Ip Rating- | IP20 |
| Dimmable | Yes |
| Mounting Type- | N/A |
| Material- | Aluminium + PC |
| Colour- | Silver |
| Warranty- | 3 Years Replacement |

