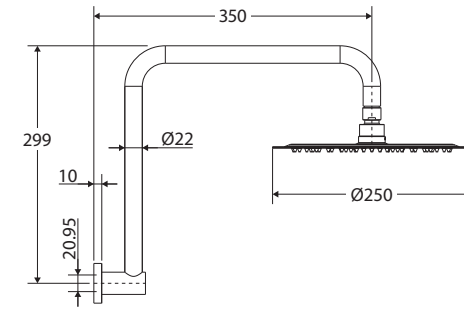


Kaya® GOOSENECK SHOWER ARM SET

Features

- Ultra-thin 2 mm shower head
- Easy to clean TPR nozzles
- Brass swivel joint
- Made from stainless steel
- Flange included
- Female 1/2" BSP inlet
- **WELS 3 Star rated, 9L/min**



Available in



Chrome
411125-A



Brushed Nickel
411125BN-A



Gun Metal
411125GM-A



Matte Black
411125B-A



Urban Brass
411125UB-A



Mixed finishes
available. See our
website for details.

Cleaning & Care

- Regularly clean with mild soapy water using a microfibre cloth.
- In highly polluted or coastal locations, we recommend cleaning 2-3 times per week.
- Do not use harsh detergents, bleach, cream cleaners or citrus based cleaners. These substances are abrasive and will damage the surface.
- Do not use undue pressure and wipe in one direction only.



While we aim to ensure specifications are correct at the time of publication, Fienza reserves the right to make modifications without prior notice. Physical colour may vary from image shown. All measurements are shown in millimetres. Always use physical product measurements for mark-ups and roughing-in as the technical drawing may differ from actual product received.