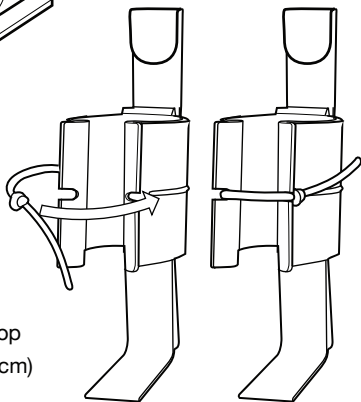
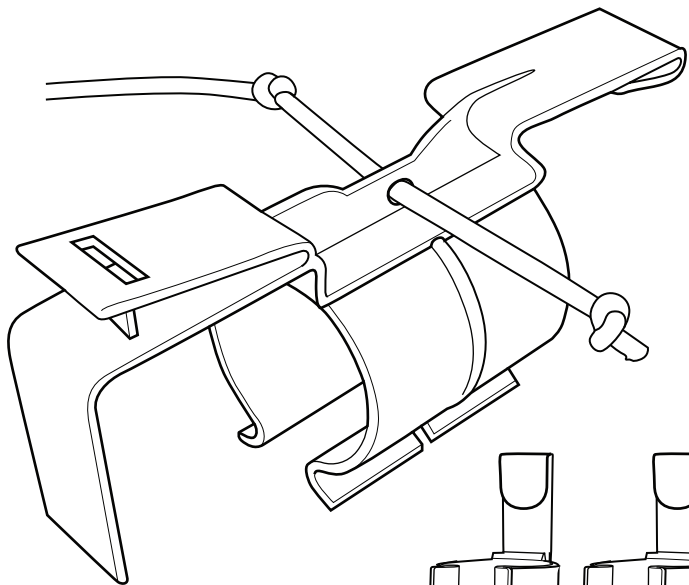


USING YOUR HANN GRENADE HOLSTER

www.airsoft-innovations.com

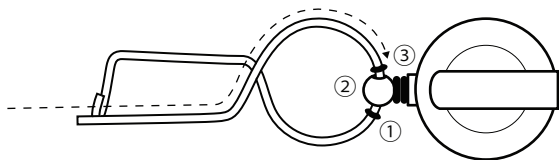


ATTACH RETENTION CORD

1. Pull bungie retention cord through loop
2. Tie two knots approximately 2.75" (7cm) apart on either side of the loop

ASSEMBLE PIN RETAINER

1. Thread small o-ring onto pin
2. Thread pin retainer assembly onto pin
3. Thread second small o-ring onto pin, securing the pin retainer



MOUNT HANN HOLSTER ONTO YOUR RIG

1. Open clip on bottom of grenade holster
2. Thread top section of grenade holster through molle webbing
3. Thread open clip around molle webbing and snap shut
4. Attach pin retainer onto grenade holster

