

# CYCLONE

## IMPACT GRENADE

### INTRODUCING QUANTUM DRIVE

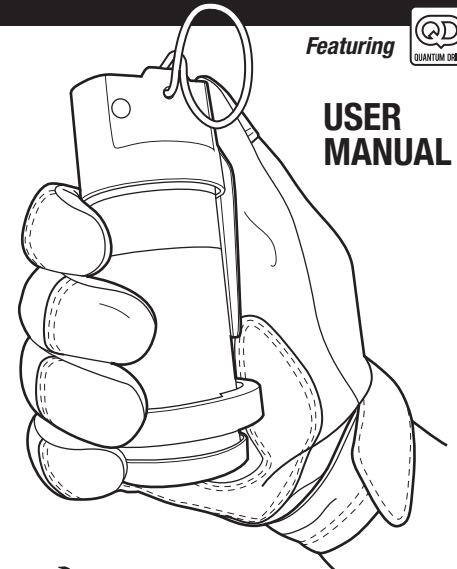
The Cyclone grenade is our first product featuring the new Quantum Drive engine. With each BB taking its own turn in the acceleration barrel, it delivers consistent and brutal power at 700 rounds per second, all in a compact form factor.

**Support:**  
support@airsoft-innovations.com

**Dealer inquiries:**  
wholesale@airsoft-innovations.com



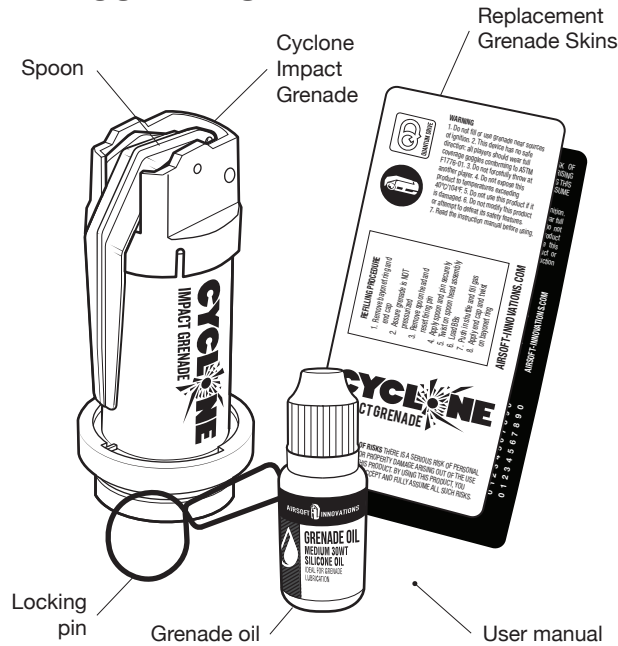
Scan to subscribe to our newsletter and receive exclusive offers and the latest news on new and current products.



Featuring **USER MANUAL**

AIRSOFT INNOVATIONS [www.airsoft-innovations.com](http://www.airsoft-innovations.com)

### KIT CONTAINS



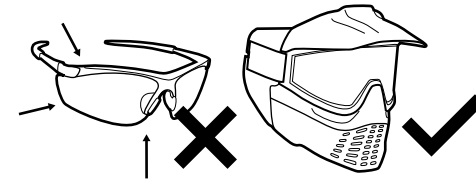
Assumption of risks: there is a serious risk of personal injury, death or property damage arising out of the use or misuse of this product. By using this product, you agree to freely accept and fully assume all such risks.

### PRIMARY WARNINGS

- This product is not a toy. Familiarize yourself with this manual before use. Insist that other players practise safe grenade handling.
- This product is intended for use with propane or HFC134a. Do not use high pressure propellants eg. CO<sub>2</sub>, HPA.
- Do not expose this product to temperatures exceeding 40°C/104°F. Do not fill or use grenade near open flames.
- Do not deploy this grenade in public places. Treat it as you would treat a realistic rifle replica.
- Do not modify this product or attempt to defeat its safety features. Over pressure failsafe measures are included in this product to protect YOU.

### SAFETY

This product has no safe direction, all players must wear ASTM F1776-01 compliant full coverage goggles. Safety glasses are unacceptable eye protection.



Dangerous gaps.

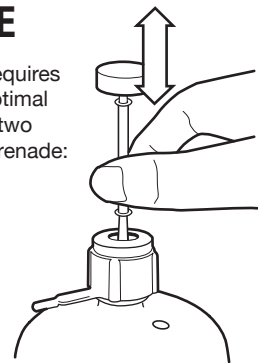
- Be considerate. Toss grenades gently. Do not throw grenades directly at other players.
- Do not handle armed grenades in safe areas. Disarm Cyclone grenades by decoupling their bottom caps.
- Treat any grenade as a loaded and armed grenade. Loaded, unloaded, duds, malfunctioning and expended grenades must be disarmed before returning to the safe area.

### MAINTENANCE

Your Cyclone grenade requires regular lubrication for optimal performance. There are two ways to lubricate your grenade:

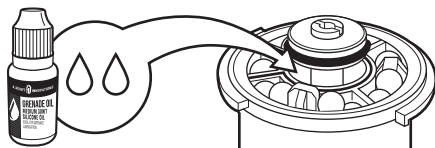
#### OPTION 1

Inject grenade oil into the gas directly using the Airsoft Innovations Oil Pump.



#### OPTION 2

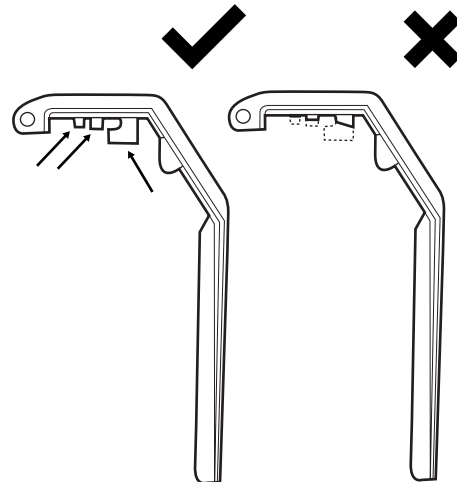
Drip two drops of oil into the grenade body after each use.



**Note:** use only Airsoft Innovations Grenade Oil to lubricate your grenade.

### SPOON WARNING

The Cyclone spoon has several important safety features that keep the grenade from triggering until it is thrown and strikes a surface. Always check to verify that these have not been broken off before using your grenade.



### CYCLONE ACCESSORIES

We offer a number of accessories and support kits for your Cyclone grenade. Check them out at your favourite local retailer or at: [www.airsoft-innovations.com](http://www.airsoft-innovations.com)



#### RESUPPLY KIT

Did you throw your pin along with your grenade? Did your teammates "borrow" your spoons? No worries. Get 3 pins, 3 spoons and 3 limited grenade skins in this handy kit.



#### REPAIR KIT

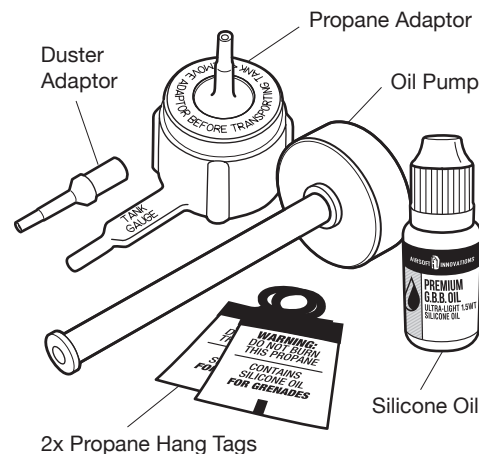
Is your Cyclone grenade leaking gas? We've got your back. This kit contains everything you need to get your grenade back in working order.



### GUNGAS KIT

We recommend using the Airsoft Innovations GunGas Kit with Oil pump to lubricate and fill your Cyclone and GBBs with inexpensive, widely available propane.

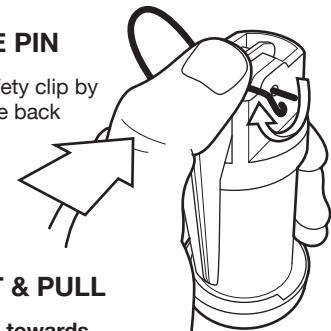
Alternately, you can fill your grenade with green gas or duster gas (HFC134A) using the duster adaptor included in the GunGas Kit.



### DEPLOYMENT

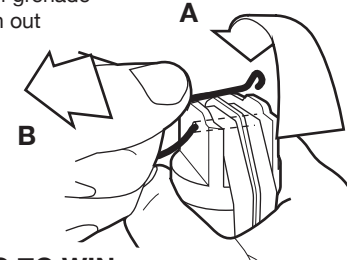
#### 1. PRIME PIN

Unhook safety clip by pressing the back of the pin



#### 2. TWIST & PULL

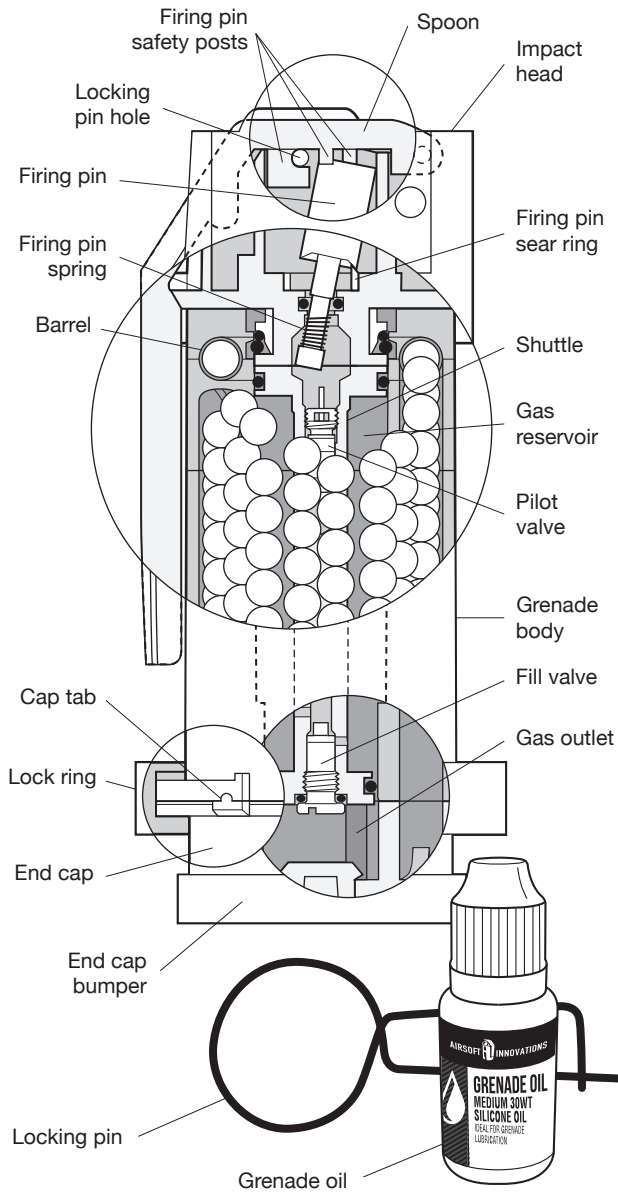
- Twist pin towards front of grenade
- Pull pin out



#### 3. FRAG TO WIN

# REFILLING PROCEDURE

## DETAILED PARTS GLOSSARY



### HAVING TROUBLE?

If you are having trouble using this grenade, or are simply curious, check out our YouTube channel **Airsoft Innovations** for our Cyclone video tutorial and other neat stuff.

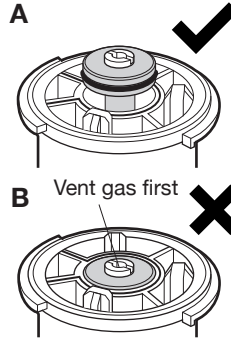
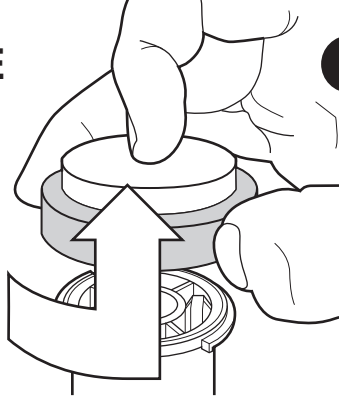
## 1 MAKE SAFE

### 1. REMOVE END CAP

Twist lock ring counterclockwise and remove bottom cap assembly.

### 2. PRESSURE CHECK

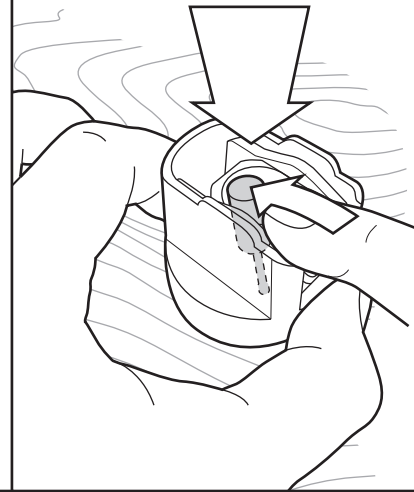
If shuttle seal is raised (A), your Cyclone is safe to load. If the seal is level with the top of the grenade (B), use a propane adaptor **without the can** to depressurize it. **Never remove the spoon head of a pressurized grenade.**



## 2 RESET IMPACT HEAD

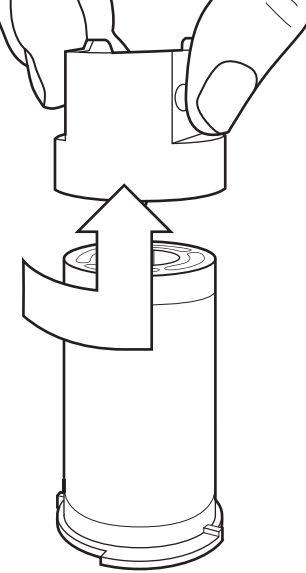
### 1. REMOVE IMPACT HEAD

Twist impact head counterclockwise and lift from grenade body.



### 2. RESET FIRING PIN

Press impact head firmly down onto a hard surface to raise the firing pin. Tilt firing pin forward and lift impact head to lock firing pin in place.

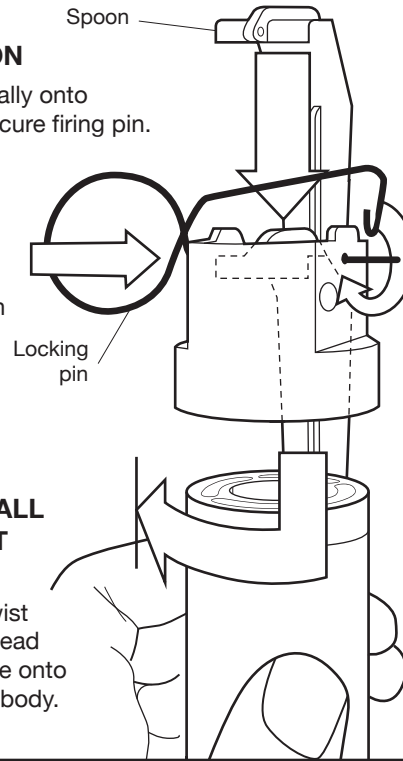


### 3. APPLY SPOON

Drop spoon vertically onto impact head to secure firing pin.

### 4. INSERT LOCKING PIN

Insert locking pin through pin hole in impact head. Lock safety clip onto pin.



### 5. INSTALL IMPACT HEAD

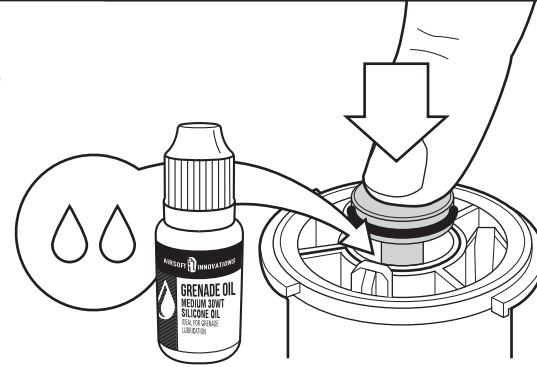
Firmly twist impact head clockwise onto grenade body.

## 3 LOAD LUBE, GAS AND BBs

### 1. LUBRICATE SEALS

Lubricate your grenade after each use by dripping two drops of Airsoft Innovations grenade oil into grenade body or using prelubricated propane.

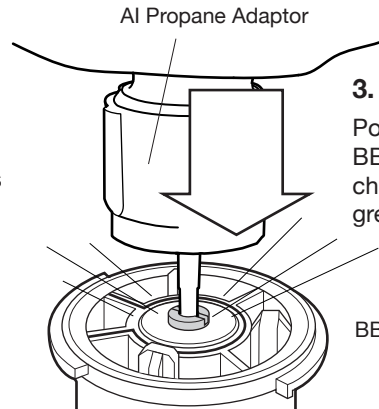
Press shuttle down into grenade body.



### 2. FILL WITH GAS

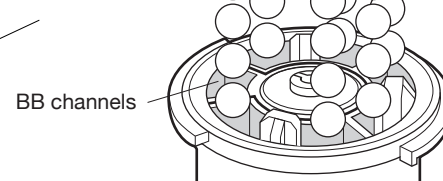
Fill grenade with propane, green gas or duster gas (HFC134A).

Allow 15 minutes for the gas to warm up for optimal performance



### 3. LOAD BBs

Pour or scoop BBs into BB channels in grenade body.

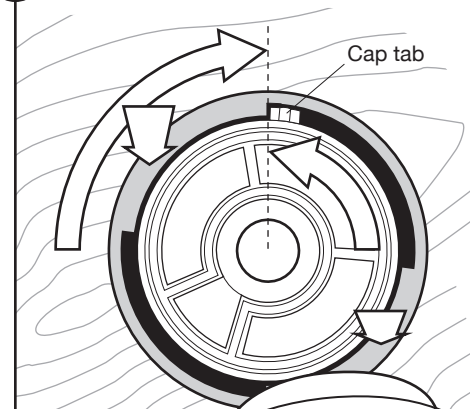


## 4 REATTACH BOTTOM CAP

### 1. ALIGN LOCK RING WITH CAP TAB

Press lock ring down so it is flush with the end cap.

Align lock ring with end cap tab as shown.



### 2. REATTACH END CAP

Align endcap assembly with grenade body as shown.

Push down lock ring and firmly twist into place.

