



Metal Frame Mirror | 2024



ETL US / CE / SAA / IP44
Intertek



IDEAL IMPORT & EXPORT USA
Address: 11402 NW 41st. Street Suite
211 #542 Doral FL 33178 Miami, USA
Email: idealieusa@gmail.com
M +1786.716.55.02
@ idealieusa

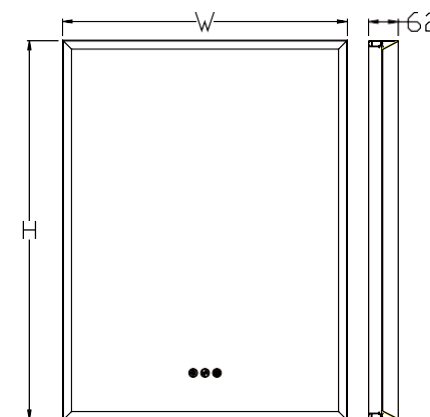
IDEAL IMPORT VZLA
Dirección: Parque Industrial Aeropuerto,
Mz M1-C5 Galpón Ideal Import, Valencia,
Edo. Carabobo, Venezuela
Email: idealieusa@gmail.com
Cel+58424.443.14.87
@ idealimportvzla

FACTORY MADE IN CHINA
www.ipdecora.com
@ ipdecora



Features:

- Copper Free mirror with safety film back
- Aluminum frame in anodized finish
- Diffused Light all around
- Touch sensor switch with temperature color changing and intensity Dimming
- Heating pad

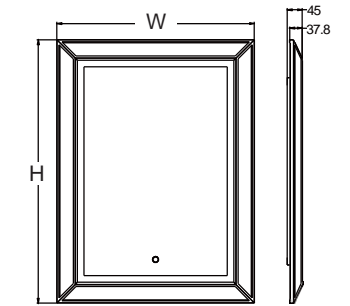


Item Code	Width	Height	Depth
MFS5070S-B	500	700	62
MFS6080S-B	600	800	62
MFS8080S-B	800	800	62
MFS1080S-B	1000	800	62
MFS1280S-B	1200	800	62

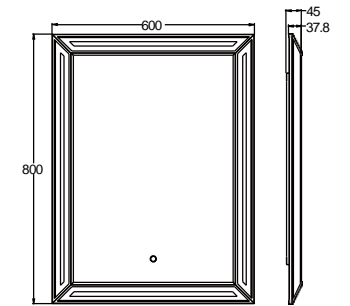


Features:

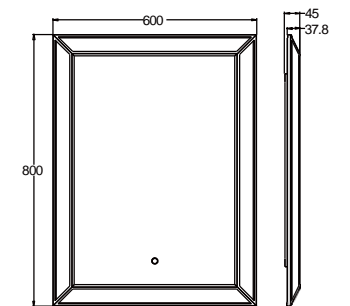
- Copper Free mirror with safety film back
- Facet Stainless steel frame in matt black power coating or Chrome finish
- Touch sensor switch with temperature color changing and intensity Dimming
- Heating pad



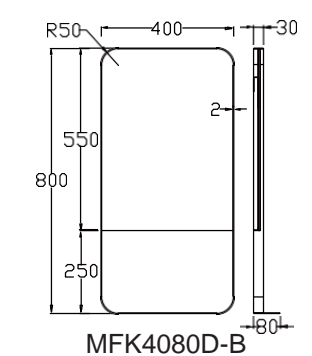
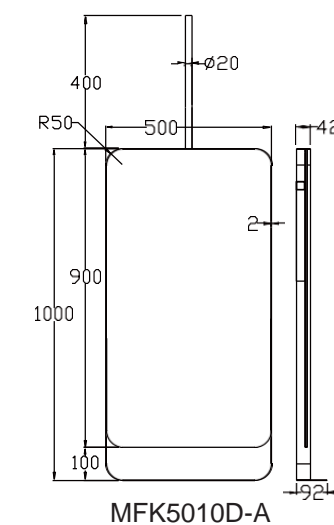
Item Code	Width	Height	Depth
MFP6080S-A	600	800	45
MFP8080S-A	800	800	45
MFP1080S-A	1000	800	45
MFP1280S-A	1200	800	45



Item Code	Width	Height	Depth
MFP6080S-B	600	800	45
MFP8080S-B	800	800	45
MFP1080S-B	1000	800	45
MFP1280S-B	1200	800	45



Item Code	Width	Height	Depth
MFP6080S-C	600	800	45
MFP8080S-C	800	800	45
MFP1080S-C	1000	800	45
MFP1280S-C	1200	800	45



Features:

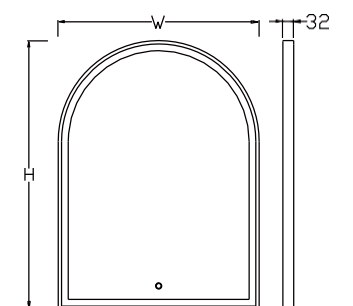
- Copper Free mirror with safety film back
- Stainless Steel Frame
- Integrated shelf

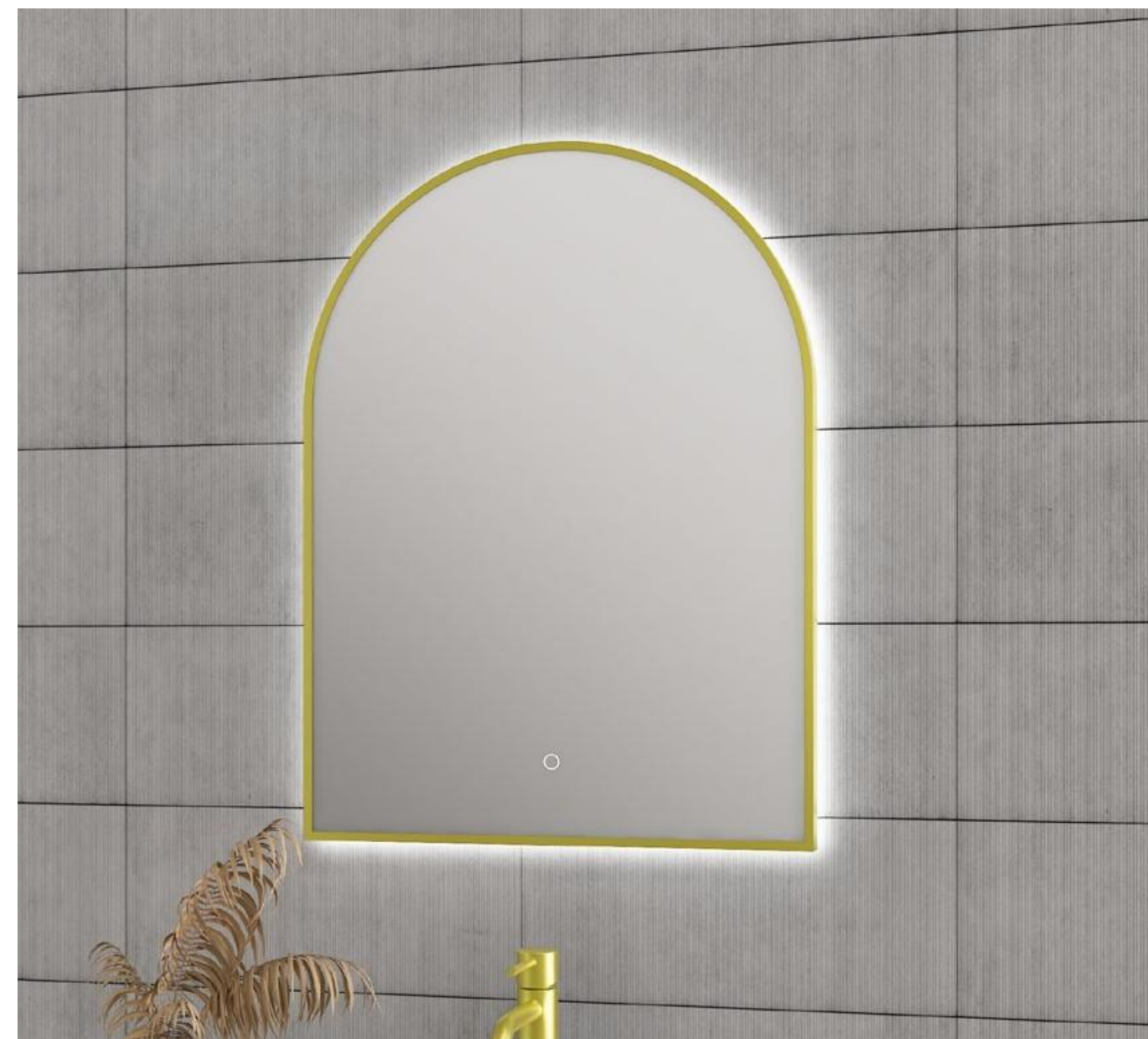


Features:

- Copper Free mirror with safety film back
- Aluminum frame in powder coating finish
- Touch sensor switch with temperature color changing and intensity Dimming
- Heating pad

Item Code	Width	Height	Depth
MFA5070P-A	500	700	32
MFA6080P-A	600	800	32
MFA8010P-A	800	1000	32

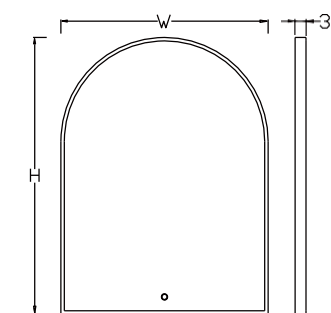




Features:

- Copper Free mirror with safety film back
- Aluminum frame in powder coating finish
- Ambient lighting
- Touch sensor switch with temperature color changing and intensity Dimming
- Heating pad

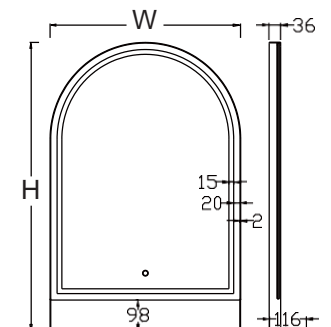
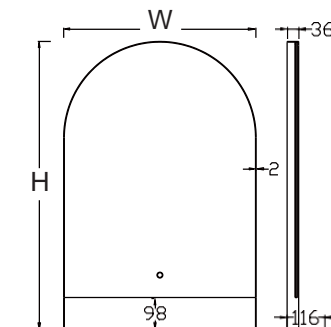
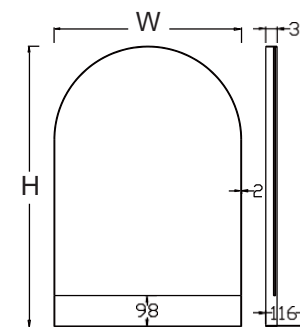
Item Code	Width	Height	Depth
MFA5070P-B	500	700	32
MFA6080P-B	600	800	32
MFA8010P-A	800	1000	32





Features:

- Copper Free mirror with safety film back
- Stainless Steel Frame
- Ambient lighting/sandblasting(optional)
- Touch sensor switch with temperature color changing and intensity Dimming
- Heating pad
- Integrated shelf



Item Code	Width	Height	Depth
MFA5070P-AS-A	500	700	116
MFA6080P-AS-A	600	800	116
MFA6010P-AS-A	600	1000	116
MFA6012P-AS-A	600	1200	116

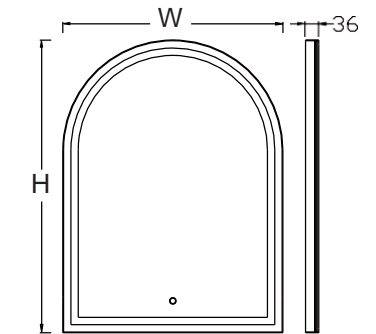
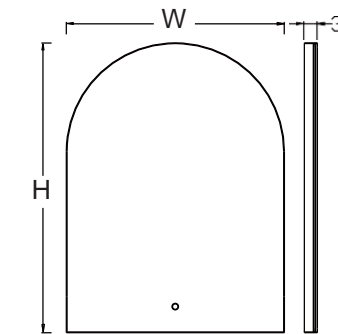
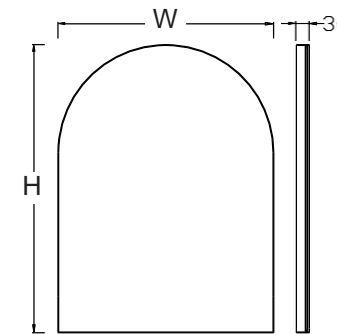
Item Code	Width	Height	Depth
MFA5070P-AS-B	500	700	116
MFA6080P-AS-B	600	800	116
MFA6010P-AS-B	600	1000	116
MFA6012P-AS-B	600	1200	116

Item Code	Width	Height	Depth
MFA5070P-AS-C	500	700	116
MFA6080P-AS-C	600	800	116
MFA6010P-AS-C	600	1000	116
MFA6012P-AS-C	600	1200	116



Features:

- Copper Free mirror with safety film back
- Stainless Steel Frame
- Ambient lighting/sandblasting(optional)
- Touch sensor switch with temperature color changing and intensity Dimming
- Heating pad



Item Code	Width	Height	Depth
MFM5070P-A	500	700	36
MFM6080P-A	600	800	36
MFM6010P-A	600	1000	36
MFM6012P-A	600	1200	36

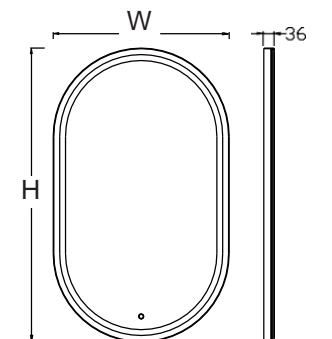
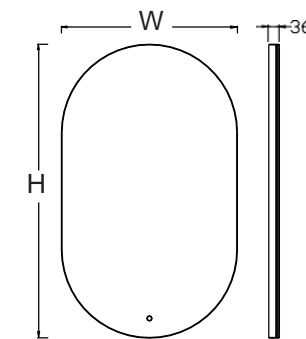
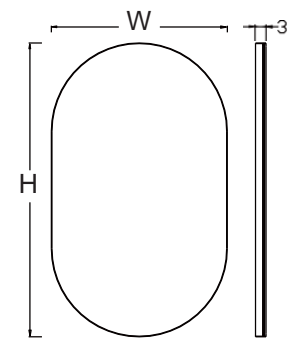
Item Code	Width	Height	Depth
MFM5070P-B	500	700	36
MFM6080P-B	600	800	36
MFM6010P-B	600	1000	36
MFM6012P-B	600	1200	36

Item Code	Width	Height	Depth
MFM5070P-C	500	700	36
MFM6080P-C	600	800	36
MFM6010P-C	600	1000	36
MFM6012P-C	600	1200	36



Features:

- Copper Free mirror with safety film back
- Stainless Steel Frame
- Ambient lighting/sandblasting(optional)
- Touch sensor switch with temperature color changing and intensity Dimming
- Heating pad



Item Code	Width	Height	Depth
MFM4080U-A	400	800	36
MFM4590U-A	450	900	36
MFM6010U-A	600	1000	36
MFM6012U-A	600	1200	36

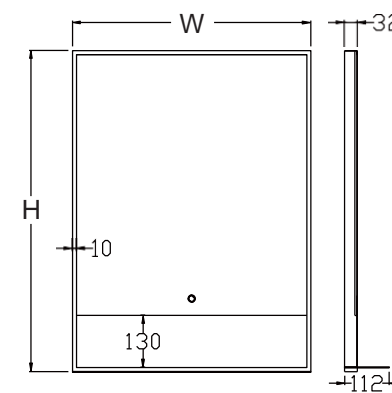
Item Code	Width	Height	Depth
MFM4080U-B	400	800	36
MFM4590U-B	450	900	36
MFM6010U-B	600	1000	36
MFM6012U-B	600	1200	36

Item Code	Width	Height	Depth
MFM4080U-C	400	800	36
MFM4590U-C	450	900	36
MFM6010U-C	600	1000	36
MFM6012U-C	600	1200	36



Features:

- Copper Free mirror with safety film back
- Aluminum Frame in Powder Coating Finish
- Ambient lighting
- Touch sensor switch with temperature color changing and intensity Dimming
- Heating pad
- Integrated shelf

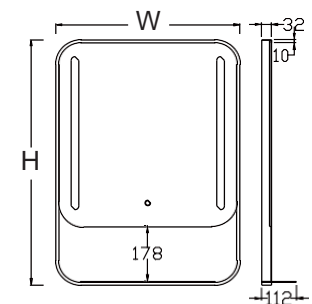
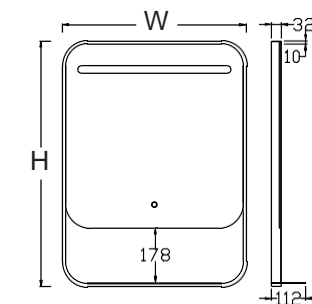
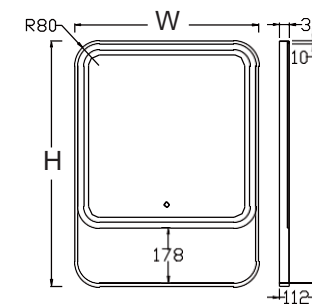


Item Code	Width	Height	Depth
MFA6080S-AS	600	800	112
MFA8080S-AS	800	800	112
MFA1080S-AS	1000	800	112
MFA1280S-AS	1200	800	112



Features:

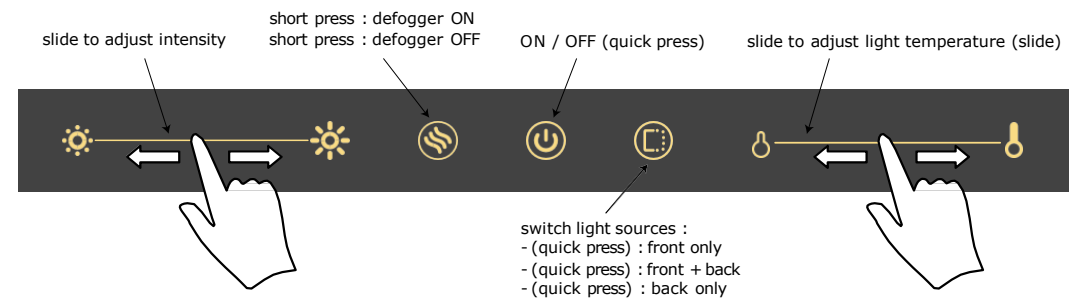
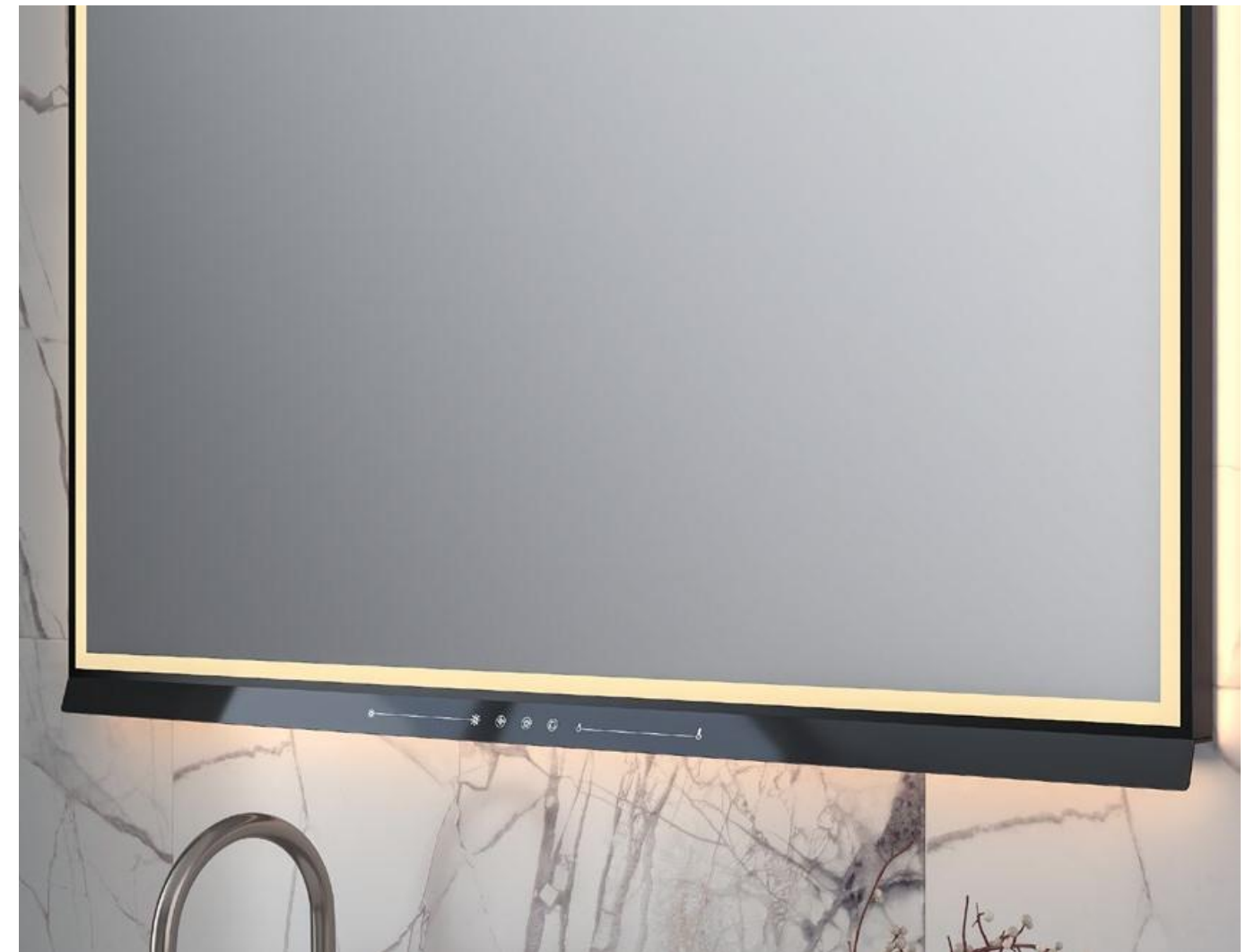
- Copper Free mirror with safety film back
- Stainless Steel Frame
- Sandblasting strip
- Touch sensor switch with temperature color changing and intensity Dimming
- Heating pad



Item Code	Width	Height	Depth
MFA6080D-AS-A	600	800	112
MFA8080D-AS-A	800	800	112
MFA1080D-AS-A	1000	800	112
MFA1280D-AS-A	1200	800	112

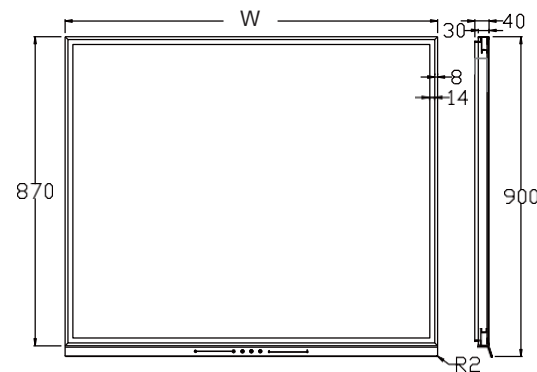
Item Code	Width	Height	Depth
MFA6080D-AS-B	600	800	112
MFA8080D-AS-B	800	800	112
MFA1080D-AS-B	1000	800	112
MFA1280D-AS-B	1200	800	112

Item Code	Width	Height	Depth
MFA6080D-AS-C	600	800	112
MFA8080D-AS-C	800	800	112
MFA1080D-AS-C	1000	800	112
MFA1280D-AS-C	1200	800	112



Features:

- Copper Free mirror with safety film back
- Aluminum Frame in anodized finish
- Slide sensor switch with temperature color changing and intensity Dimming
- Heating pad



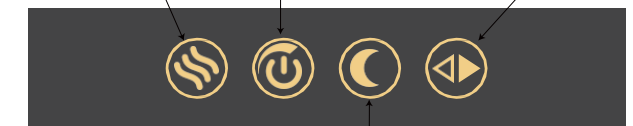
Item Code	Width	Height	Depth
MFA6090S-NF-S	600	900	40
MFA8090S-NF-S	800	900	40
MFA1090S-NF-S	1000	900	40
MFA1290S-NF-S	1200	900	40



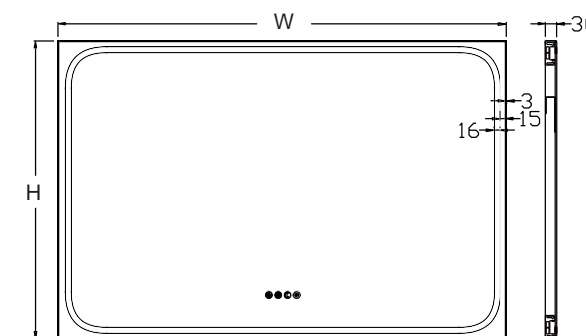
Features:

- Copper Free mirror with safety film back
- Aluminum Frame in anodized finish
- Task front lighting and night light
- Touch sensor switch with temperature color changing and intensity Dimming
- Heating pad

short press : defogger ON
 short press : defogger OFF
 . short press : ON
 . press and hold to increase intensity
 . press and hold to lower intensity
 . short press : OFF
 adjust light temperature :
 . press and hold to increase
 . press and hold to lower



short press : night light on
 short press : night light off
 press and hold 2s : activate night light sensor
 press and hold 2s : deactivate night light sensor



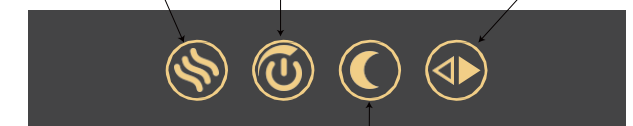
Item Code	Width	Height	Depth
MFA6080S-RX	600	800	30
MFA8080S-RX	800	800	30
MFA1080S-RX	1000	800	30
MFA1280S-RX	1200	800	30



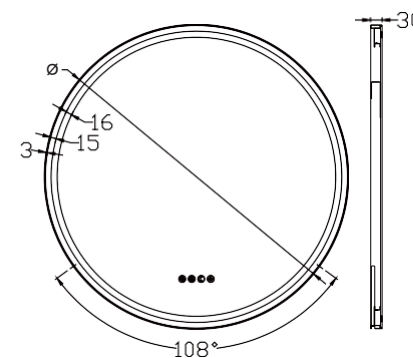
Features:

- Copper Free mirror with safety film back
- Aluminum Frame in anodized finish
- Task front lighting and night light
- Touch sensor switch with temperature color changing and intensity Dimming
- Heating pad

short press : defogger ON
 short press : defogger OFF
 . short press : ON
 . press and hold to increase intensity
 . press and hold to lower intensity
 . short press : OFF
 adjust light temperature :
 . press and hold to increase
 . press and hold to lower



short press : night light on
 short press : night light off
 press and hold 2s : activate night light sensor
 press and hold 2s : deactivate night light sensor

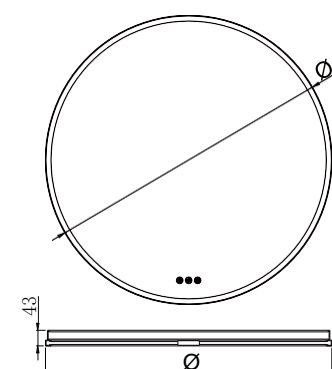


Item Code	Diameter	Depth
MFA6060R-RX	600	30
MFA8080R-RX	800	30
MFA9090R-RX	900	30
MFA1010R-RX	1000	30
MFA1212R-RX	1200	30

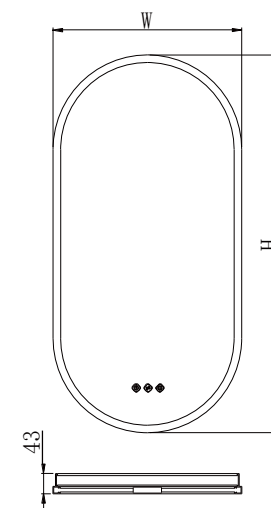


Features:

- Copper free mirror with safety film back
- Aluminum Frame in powder coating finish or anodized finish
- Touch sensor switch with temperature color changing and intensity Dimming
- Acrylic diffused LED lighting
- Heating pad
- Touch switch
- IP44 rating



Item Code	Diameter	Depth
MFC6060R	600	43
MFC8080R	800	43
MFC9090R	900	43
MFC1010R	1000	43
MFC1212R	1200	43



Features:

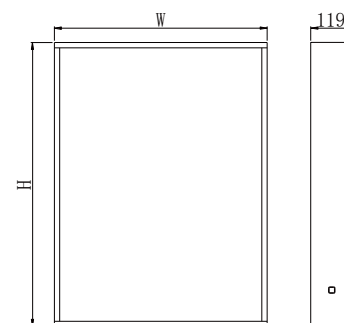
- Copper free mirror with safety film back
- Aluminum Frame in powder coating finish or anodized finish
- Touch sensor switch with temperature color changing and intensity Dimming
- rylic diffused LED lighting
- Heating pad
- Touch switch
- IP44 rating

Item Code	Width	Height	Depth
MFC4080U	400	800	43
MFC4590U	450	900	43
MFC5010U	500	1000	43



Features:

- Copper free mirror with safety film back
- LED color temperature changing 2700-6500K
- Wireless Charger and Toothbrush Charger
- Heating pad
- Touch switch
- IP44 rating

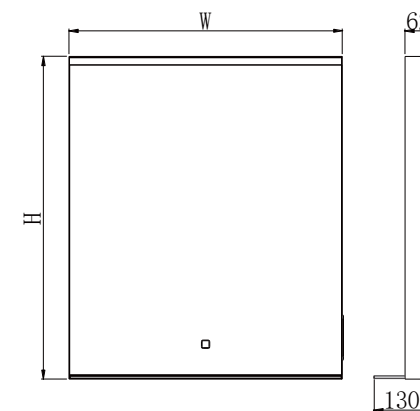


Item Code	Width	Height	Depth
MFT5070S	500	700	119
MFT6080S	600	800	119
MFT8080S	800	800	119
MFT1080S	1000	800	119

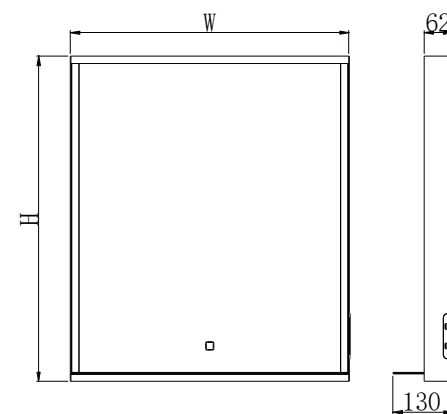


Features:

- Copper free mirror with safety film back
- LED color temperature changing 2700-6500K
- Alu Shelf and Mirror frame in matt black
- USB charger
- Heating pad
- Touch switch
- IP44 rating



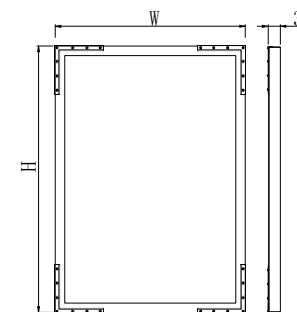
Item Code	Width	Height	Depth
MFS5070S	500	700	62
MFS6070S	600	700	62
MFS8070S	800	700	62
MFS1070S	1000	700	62
MFS1270S	1200	700	62



Features:

- Copper free mirror with safety film back
- LED color temperature changing 2700-6500K
- Alu Shelf and Mirror frame in matt black
- USB charger
- Heating pad
- Touch switch
- IP44 rating

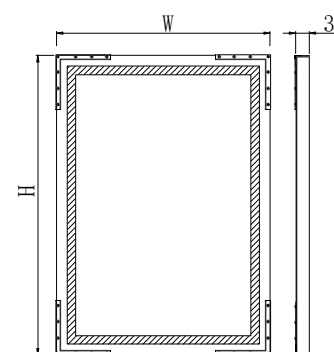
Item Code	Width	Height	Depth
MFN5070S	500	700	62
MFN6070S	600	700	62
MFN8070S	800	700	62
MFN1070S	1000	700	62
MFN1270S	1200	700	62



Features:

- Copper free mirror with safety film back
- Antique designed Stainless Steel frame PVD finish

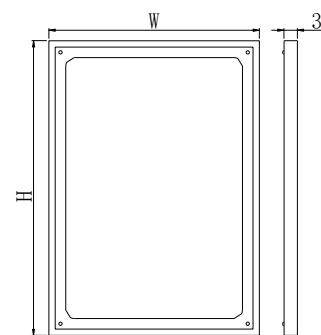
Item Code	Width	Height	Depth
MNG5070S	500	700	32
MNG6080S	600	800	32
MNG1070S	1000	700	32
MNG1270S	1200	700	32



Features:

- Copper free mirror with safety film back
- Antique designed Stainless Steel frame PVD finish
- LED color temperature changing 2700-6500K
- Heating pad
- Sensor switch
- IP44 rating

Item Code	Width	Height	Depth
MFG5070S	500	700	32
MFG6080S	600	800	32
MFG1070S	1000	700	32
MFG1270S	1200	700	32



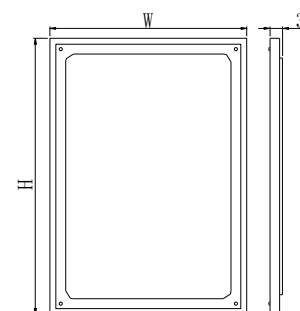
Features:

- Copper free mirror with safety film back
- Antique designed Stainless Steel frame PVD finish

Item Code	Width	Height	Depth
MNH5070S	500	700	32
MNH6080S	600	800	32
MNH1070S	1000	700	32
MNH1270S	1200	700	32



#: 工业风镜子.max | 帧: 00000 | 图元: 482364 | 渲染时间: 0h 7m 17.7s



Features:

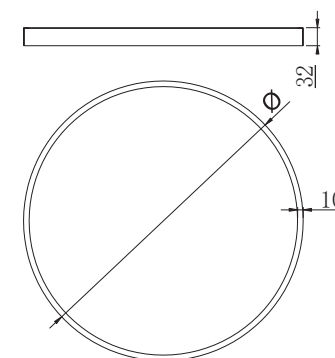
- Copper free mirror with safety film back
- Antique designed Stainless Steel frame PVD finish
- LED color temperature changing 2700-6500K
- Heating pad
- Sensor switch
- IP44 rating

Item Code	Width	Height	Depth
MFH5070S	500	700	32
MFH6080S	600	800	32
MFH1070S	1000	700	32
MFH1270S	1200	700	32



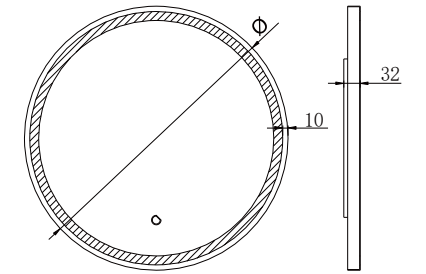
Features:

- Copper free mirror with safety film back
- Alu frame in powder coated finish



Item Code	Diameter	Depth
MNM5050R	500	32
MNM6060R	600	32
MNM7070R	700	32
MNM8080R	800	32
MNM9090R	900	32
MNM1010R	1000	32
MNM1212R	1200	32

Metal Framed Mirror

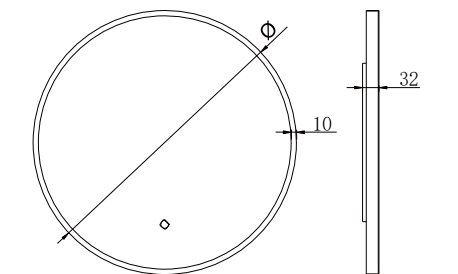
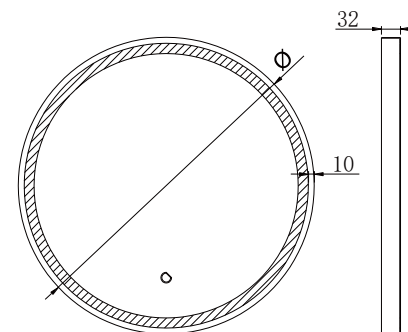


Item Code	Diameter	Depth
MFL5050R	500	32
MFL6060R	600	32
MFL7070R	700	32
MFL8080R	800	32
MFL9090R	900	32
MFL1010R	1000	32
MFL1212R	1200	32

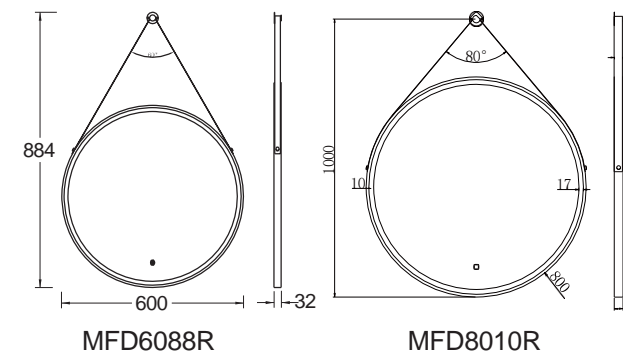
Features:

- Copper free mirror with safety film back
- Alu frame in powder coated finish
- LED color temperature changing 2700-6500K
- Heating pad
- Touch switch
- IP44 rating

Item Code	Diameter	Depth
MFA5050R	500	32
MFA6060R	600	32
MFA7070R	700	32
MFA8080R	800	32
MFA9090R	900	32
MFA1010R	1000	32
MFA1212R	1200	32



Item Code	Diameter	Depth
MFM5050R	500	32
MFM6060R	600	32
MFM7070R	700	32
MFM8080R	800	32
MFM9090R	900	32
MFM1010R	1000	32
MFM1212R	1200	32



Features:

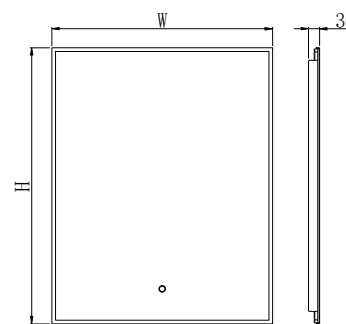
- Copper free mirror with safety film back
- LED color temperature changing 2700-6500K
- Alu frame in Matt Black
- Heating pad
- Touch Switch
- IP44 rating

Item Code	Width	Height	Depth
MFD6088R	600	884	32
MFD8010R	800	1000	32



Features:

- Copper free mirror with safety film back
- LED color temperature changing 2700-6500K
- Alu frame in Matt Black
- Heating pad
- Touch Switch
- IP44 rating

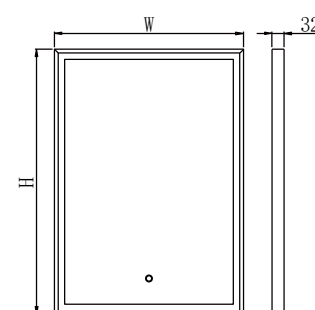


Item Code	Width	Height	Depth
MFM4575S	450	750	30
MFM6075S	600	750	30
MFM8075S	800	750	30
MFM1075S	1000	750	30
MFM1275S	1200	750	30
MFM1475S	1400	750	30
MFM1675S	1600	750	30



Features:

- Copper free mirror with safety film back
- Alu frame in powder coated finish
- Heating pad
- Touch Switch
- IP44 rating

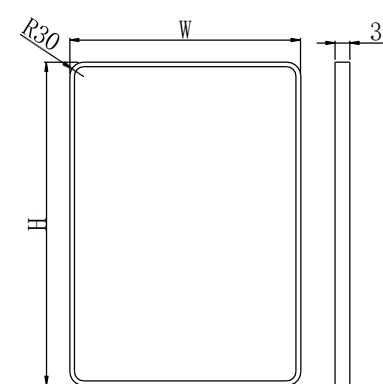


Item Code	Width	Height	Depth
MFA5070S	500	700	32
MFA6080S	600	800	32
MFA8080S	800	800	32
MFA1080S	1000	800	32
MFA1280S	1200	800	32
MFA1480S	1400	800	32



Features:

- Copper free mirror with safety film back
- Alu frame in powder coated finish

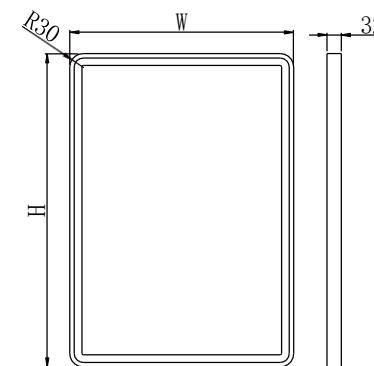


Item Code	Width	Height	Depth
MNM5070D	500	700	32
MNM6070D	600	700	32
MNM8070D	800	700	32
MNM1070D	1000	700	32
MNM1270D	1200	700	32
MNM1470D	1400	700	32



Features:

- Copper free mirror with safety film back
- LED color temperature changing 2700-6500K
- Alu frame in powder coated finish
- Heating pad
- Touch Switch
- IP44 rating

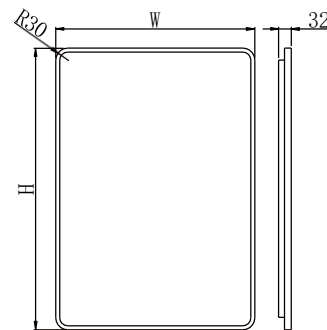


Item Code	Width	Height	Depth
MFA5070D	500	700	32
MFA6070D	600	700	32
MFA8070D	800	700	32
MFA1070D	1000	700	32
MFA1270D	1200	700	32
MFA1470D	1400	700	32



Features:

- Copper free mirror with safety film back
- LED color temperature changing 2700-6500K
- Alu frame in powder coated finish
- Heating pad
- Touch Switch
- IP44 rating

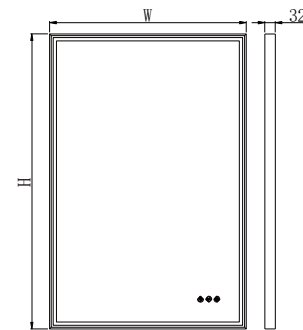


Item Code	Width	Height	Depth
MFM5070D	500	700	32
MFM6070D	600	700	32
MFM8070D	800	700	32
MFM1070D	1000	700	32
MFM1270D	1200	700	32
MFM1470D	1400	700	32

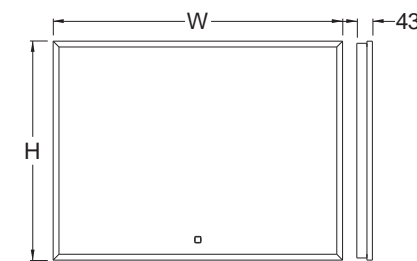


Features:

- Copper free mirror with safety film back
- LED color temperature changing 2700-6500K
- Intensity dimming
- Alu frame Matt Black
- Heating pad
- Touch Switch
- IP44 rating



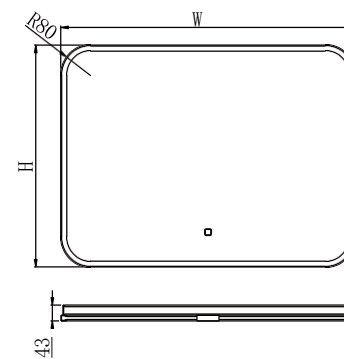
Item Code	Width	Height	Depth
MFB4590S	450	900	32
MFB6090S	600	900	32
MFB7590S	750	900	32
MFB9090S	900	900	32
MFB1290S	1200	900	32
MFB4512S	450	1200	32
MFB4515S	450	1500	32



Features:

- Copper free mirror with safety film back
- LED color temperature changing 2700-6500K
- Alu frame in powder coating finish
- Heating pad
- Touch Switch
- IP44 rating

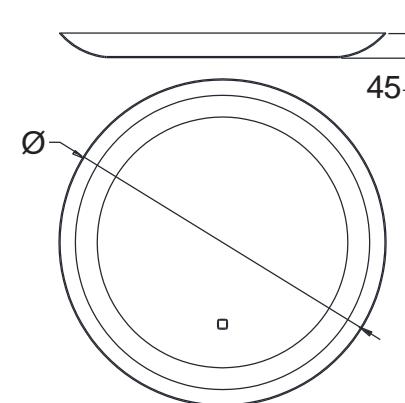
Item Code	Width	Height	Depth
MFC5070S	500	700	43
MFC6080S	600	800	43
MFC8070S	800	700	43
MFC1070S	1000	700	43
MFC1270S	1200	700	43
MFC1470S	1400	700	43



Features:

- Copper free mirror with safety film back
- LED color temperature changing 2700-6500K
- Alu frame in powder coating finish
- Heating pad
- Touch Switch
- IP44 rating

Item Code	Width	Height	Depth
MFC5070D	500	700	43
MFC6080D	600	800	43
MFC8070D	800	700	43
MFC1070D	1000	700	43
MFC1270D	1200	700	43
MFC1470D	1400	700	43



Features:

- Copper free mirror with safety film back
- LED color temperature changing 2700-6500K
- Metal Frame in Matt Black
- Heating pad
- Touch Switch
- IP44 rating

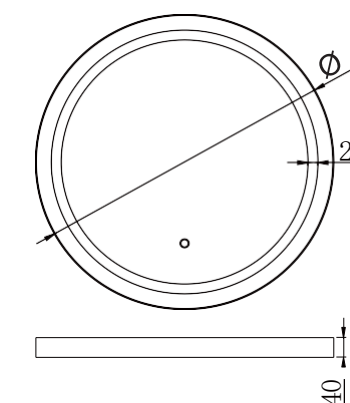
Item Code	Diameter	Depth
MFW6060R	600	45
MFW8080R	800	45
MFW9090R	900	45



Features:

- Copper free mirror with safety film back
- LED color temperature changing 2700-6500K
- Alu frame in powder coating finish
- Heating pad
- Touch Switch
- IP44 rating

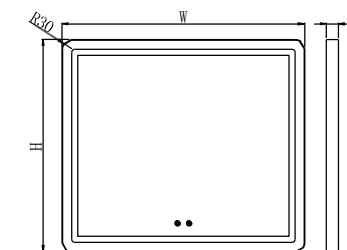
Item Code	Diameter	Depth
MFP6060R	600	40
MFP8080R	800	40
MFP1010R	1000	40
MFP1212R	1200	40





Features:

- Copper free mirror with safety film back
- LED color temperature changing 2700-6500K
- Alu frame in powder coating finish
- Heating pad
- Touch Switch
- IP44 rating



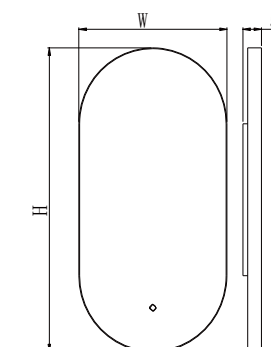
Item Code	Width	Height	Depth
MFP5070D	500	700	40
MFP6070D	600	700	40
MFP8070D	800	700	40
MFP1070D	1000	700	40
MFP1270D	1200	700	40
MFP1470D	1400	700	40

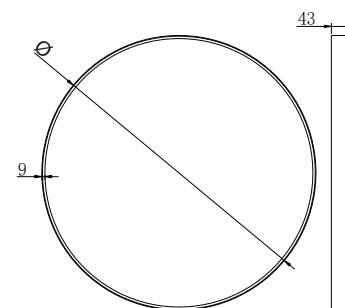
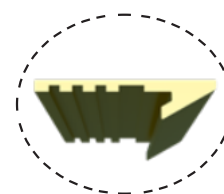


Features:

- Copper free mirror with safety film back
- LED color temperature changing 2700-6500K
- Alu frame in powder coating finish
- Heating pad
- Touch Switch
- IP44 rating

Item Code	Width	Height	Depth
MFQ4080U	400	800	50
MFQ4590U	450	900	50
MFQ5010U	500	1000	50

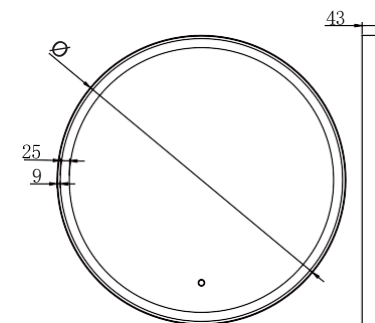
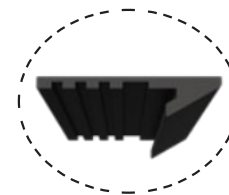




Features:

- Copper free mirror with safety film back
- Alu frame in powder coating finish

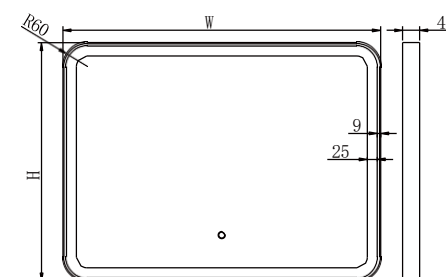
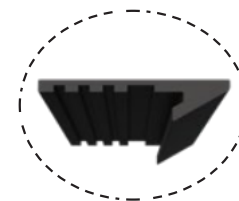
Item Code	Diameter	Depth
MNV6060R	600	43
MNV8080R	800	43
MNV1010R	1000	43



Features:

- Copper free mirror with safety film back
- LED color temperature changing 2700-6500K
- Alu frame in powder coating finish
- Heating pad
- Touch Switch
- IP44 rating

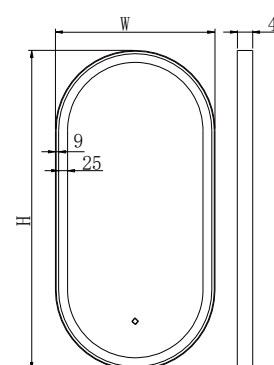
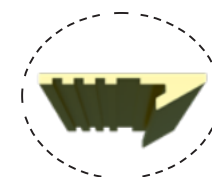
Item Code	Diameter	Depth
MFV6060R	600	43
MFV8080R	800	43
MFV1010R	1000	43



Features:

- Copper free mirror with safety film back
- LED color temperature changing 2700-6500K
- Alu frame in powder coating finish
- Heating pad
- Touch Switch
- IP44 rating

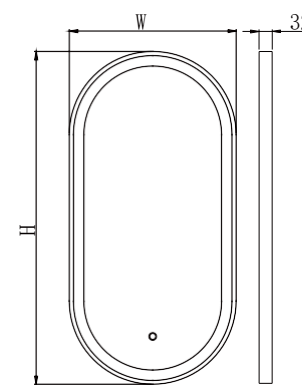
Item Code	Width	Height	Depth
MFV5070D	500	700	43
MFV6070D	600	700	43
MFV8070D	800	700	43
MFV1070D	1000	700	43
MFV1270D	1200	700	43



Features:

- Copper free mirror with safety film back
- LED color temperature changing 2700-6500K
- Alu frame in powder coating finish
- Heating pad
- Touch Switch
- IP44 rating

Item Code	Width	Height	Depth
MFV4080U	400	800	43
MFV4590U	450	900	43
MFV5010U	500	1000	43



Features:

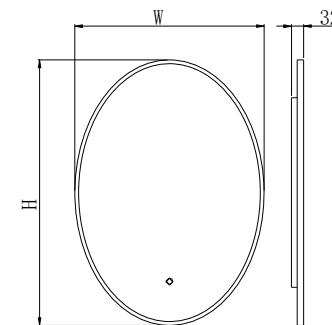
- Copper free mirror with safety film back
- LED color temperature changing 2700-6500K
- Alu frame in powder coating finish
- Heating pad
- Touch Switch
- IP44 rating

Item Code	Width	Height	Depth
MFA4080U	400	800	32
MFA4590U	450	900	32
MFA5010U	500	1000	32

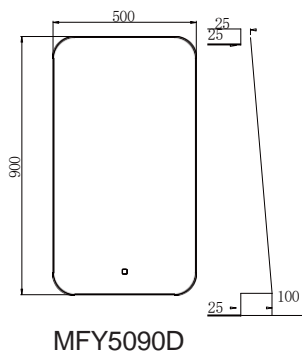


Features:

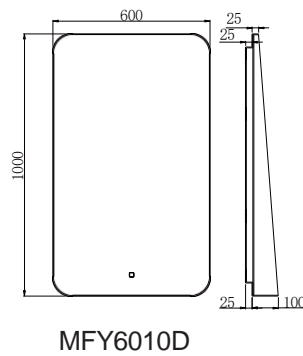
- Copper free mirror with safety film back
- LED color temperature changing 2700-6500K
- Alu frame in powder coating finish
- Heating pad
- Touch Switch
- IP44 rating



Item Code	Width	Height	Depth
MFM5070V	500	700	32
MFM6090V	600	900	32



MFY5090D

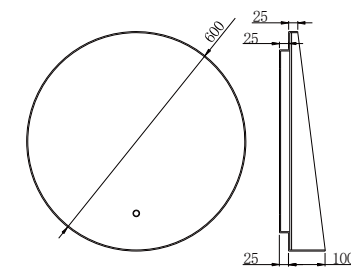


MFY6010D

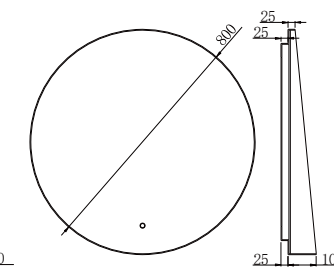
Features:

- Copper free mirror with safety film back
- LED color temperature changing 2700-6500K
- S.S frame in powder coating finish
- Heating pad
- Touch Switch
- IP44 rating

Item Code	Width	Height	Depth
MFY5090D	500	900	125
MFY6010D	600	1000	125



MFY6060R



MFY8080R

Features:

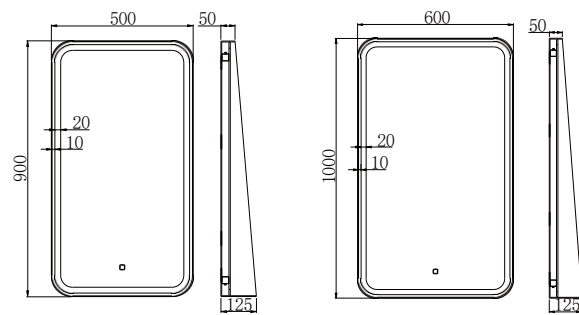
- Copper free mirror with safety film back
- LED color temperature changing 2700-6500K
- S.S frame in powder coating finish
- Heating pad
- Touch Switch
- IP44 rating

Item Code	Diameter	Depth
MFY6060R	600	125
MFY8080R	800	125



Features:

- Copper free mirror with safety film back
- LED color temperature changing 2700-6500K
- S.S frame in powder coating finish
- Heating pad
- Touch Switch
- IP44 rating



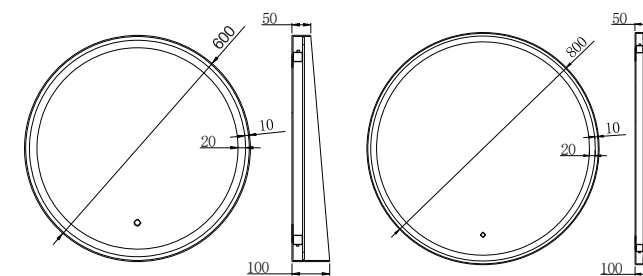
MFZ5090D

MFZ6010D

Item Code	Width	Height	Depth
MFZ5090D	500	900	125
MFZ6010D	600	1000	125

Features:

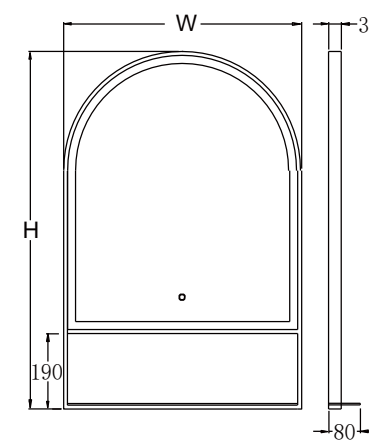
- Copper free mirror with safety film back
- LED color temperature changing 2700-6500K
- S.S frame in powder coating finish
- Heating pad
- Touch Switch
- IP44 rating



MFZ6060R

MFZ8080R

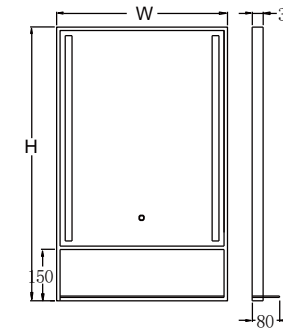
Item Code	Diameter	Depth
MFZ6060R	600	100
MFZ8080R	800	100



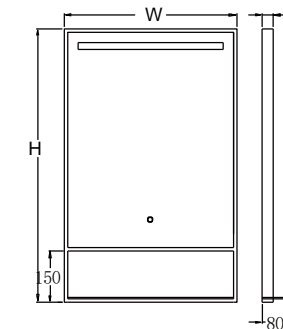
Features:

- Copper free mirror with safety film back
- LED color temperature changing 2700-6500K
- S.S frame in powder coating finish
- Heating pad
- Touch Switch
- IP44 rating

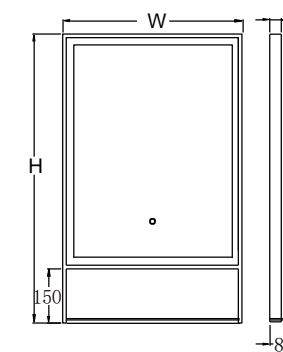
Item Code	Width	Height	Depth
MFK5090G	500	900	32
MFK6090G	600	900	32
MFK8090G	800	900	32



Item Code	Width	Height	Depth
MFK5070L	500	700	32
MFK6070L	600	700	32
MFK8070L	800	700	32
MFK1070L	1000	700	32
MFK1270L	1200	700	32



Item Code	Width	Height	Depth
MFK5070T	500	700	32
MFK6070T	600	700	32
MFK8070T	800	700	32
MFK1070T	1000	700	32
MFK1270T	1200	700	32



Item Code	Width	Height	Depth
MFK5070S	500	700	32
MFK6070S	600	700	32
MFK8070S	800	700	32
MFK1070S	1000	700	32
MFK1270S	1200	700	32



Features:

- Copper free mirror with safety film back
- LED color temperature changing 2700-6500K
- S.S frame in powder coating finish
- Heating pad
- Touch Switch
- IP44 rating

Metal Framed Mirror



Main Features for mirror
Touch Switch / Sensor Switch.

Double Touch Switch with dimmer and LED color changing

Short touch =ON/OFF the LED light, Keep touch=LED color changing

Short touch =ON/OFF the heating pad, keep touch=Dimmer function

Three touch switch with dimmer and LED color changing

=ON/OFF the LED light and heating pad

=LED color changing

=Dimmer Function

Three touch switch with dimmer and LED color changing

Short touch =ON/OFF the LED light , keep touch=Dimmer function

=LED color changing

=ON/OFF Heating pad

Main Feature for mirror

Touch switch with dimmer function
touch switch on the imirror
short touch=ON/OFF
keep touch=dimmer function

IR Sensor with dimmer function
IR sensor on the bottom of mirror,
wave the han=ON/OFF
keep the hand=dimmer function

Mechanical Switch

Additional features (Optional)

Digital display
(dock & temp)

Color change
color temp.change

Defogger

Quality Advantage

Copper free mirror qualified with CASS 480 hours with safety film

Finely crafed mirror offering a bright reflection

High Quality and High Efficiency LED light

* LED life time >30,000 hours

* CRI/Ra>90, R9>50

* Color consistency < 5 SDCM

* Lumen efficiency> 125 lm/W

Aluminum or steel materials at the backside of mirror qualified the temperature rise testing for both LED light and driver

Mounting Hardware included

Certification



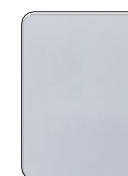
RoHS ErP



Frame Finish--Powder coating Finish



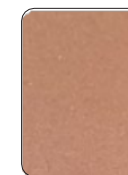
Matt Black F03



Matt White F04

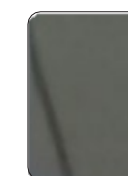


Matt Glod Y01



Rose Gold Y02

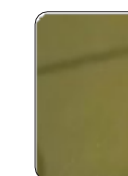
Frame Finish--Electroplate Finish



Polished Chrome E01



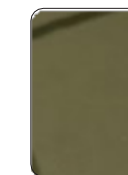
Polished Nickel E02



Polished Gold E03



Brass Satin E04



Polished Brass E05



Gold Satin E06

Frame Finish--Brushed Anodized finish



Brushed Aluminum H01



Brushed Black H02



Brushed Gold H04



Brushed Brass H05



Brushed Bronze H06



Gun Metal H09



Brushed Iron Black H10

Frame Finish--PVD Finish



Brushed Gun metal PVD-013



Brushed Nickel PVD-012



Brushed Brass PVD-070



Brushed Steel PVD-011



Brushed Iron Black PVD-068



Brushed Pewter PVD-069



Brushed Bronze PVD-087

Alu Frame Finish --Electroplate finish



Brushed Gun metal E30N



Brushed Nickel E31N



Brushed Brass E32N



Brushed Gold E33N



Brushed Bronze E34N



Brushed Bronze E35N



Brushed Black E36N