

Best Friend Mobility



USER'S MANUAL



**SitGo™ Collapsible Rear Leg Support
Dog Wheelchair XS/S/M**

TABLE OF CONTENTS

INTRODUCTION	1
MEASURE YOUR PET	3
ASSEMBLY	4
Breakdown of Pre-assembled Parts	4
Assembling the Wheelchair	6
FITTING YOUR DOG TO THE WHEELCHAIR	15
ADDITIONAL MEASUREMENTS	18
CARE AND MAINTENANCE	20
PRODUCT INFORMATION	20
The SitGo Motion	21
TROUBLESHOOTING GUIDE	23
CONTACT US	25

INTRODUCTION

Best Friend Mobility® Rehabilitation Aids

Dear Pet Owner and Valued Customer:

The following guidelines, along with the attached assembly and fitting instructions, will help you get the best use of your dog wheelchair.

Please read and follow the Assembly instructions carefully before making any attempt to place your pet in the wheelchair. Should you encounter any problems with assembly and fitting, please call Best Friend Mobility directly through our hotline **(843) 492-5283**.

If you think you need a different size, we can process the exchange for you easily. Just contact us at **support@dogwheelchairscenter.com** or call our hotline.

This is a learning process and can take time. We realize that both you and your pet are most likely unfamiliar with the use of a dog wheelchair so do not hesitate to contact us for help. Please be advised that most dogs do not intuitively know how to use a wheelchair, and they will require training and practice. Some dogs may be afraid in the beginning, so it is important to give positive reinforcement when placing them in the chair, especially for the first time.

Use treats. Treats held in front of your pet will encourage it to take steps and move forward; this will teach them to ambulate while in the chair. **It may take several training sessions before a dog is able to actually use the chair.** It is okay and normal if your dog does not take to the chair right away.

It is very important, especially with skittish animals, that they come into physical contact with the wheelchair in some way every day. This should always be coupled with positive reinforcement like praise, pets, and treats.

This will help to create a positive association with the wheelchair and help the animal to eventually love the wheelchair and be able to learn to use it.

This process may take from days to months, so please don't lose hope, persistence will pay off. Contact us for any help or questions.

Thank you for purchasing a Best Friend Mobility dog wheelchair. Again, we love receiving feedback, stories, photos, and videos of how your pets are doing in their wheelchairs.

Sincerely,

Tim Cantrell

TIM CANTRELL
Vice President
Best Friend Mobility
Phone: (843) 492-5283



Attention First Time Users

It is important to acclimatize your pet to the wheelchair. It is recommended that you do not allow your pet to use the collapse or SitGo function for the first few weeks of use. You can set your pet's wheelchair to non-collapsible manually. The instructions on how to set the wheelchair from collapsible to non-collapsible is in section 5.2 under the section "Assembling the Wheelchair."

This will deactivate the collapse or SitGo motion function. Wait until your pet gets comfortable using the wheelchair before you set the wheelchair to the collapsible setting.

The instructions on how to release the setting from non-collapsible to collapsible is in section 5.1 under "Assembling the Wheelchair." Once you set the wheelchair to the collapsible setting, you must then set the proper tension for your pet's weight. The instructions for adjusting the tension for your pet's weight are in section 6.

DO NOT LEAVE YOUR PET ALONE IN THE CART!

ALL PARTS INCLUDED IN THE BOX



SMALL SITGO VIDEO USB

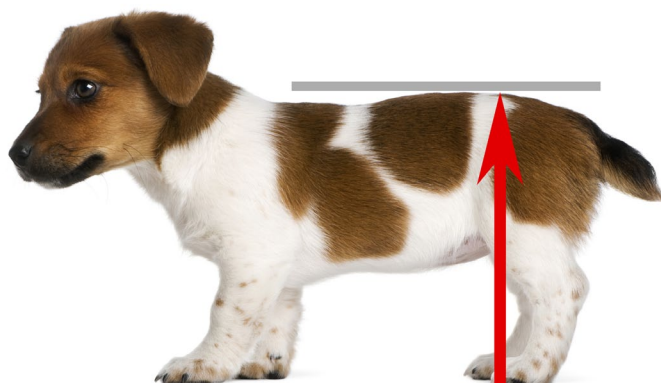
Please watch assembly video while following along with each step in the manual for effective and proper assembly.



MEASURE YOUR PET

Measure your pet to confirm that you have the correct size Best Friend Mobility SitGo Rear Support wheelchair for your pet.

The only information you truly need to get the right size is the measurement from the floor to your pet's back—at its hindquarters. It's that simple!



Depending on your pet's current capabilities and its willingness to cooperate, this can be a 1-person or 2-person job.

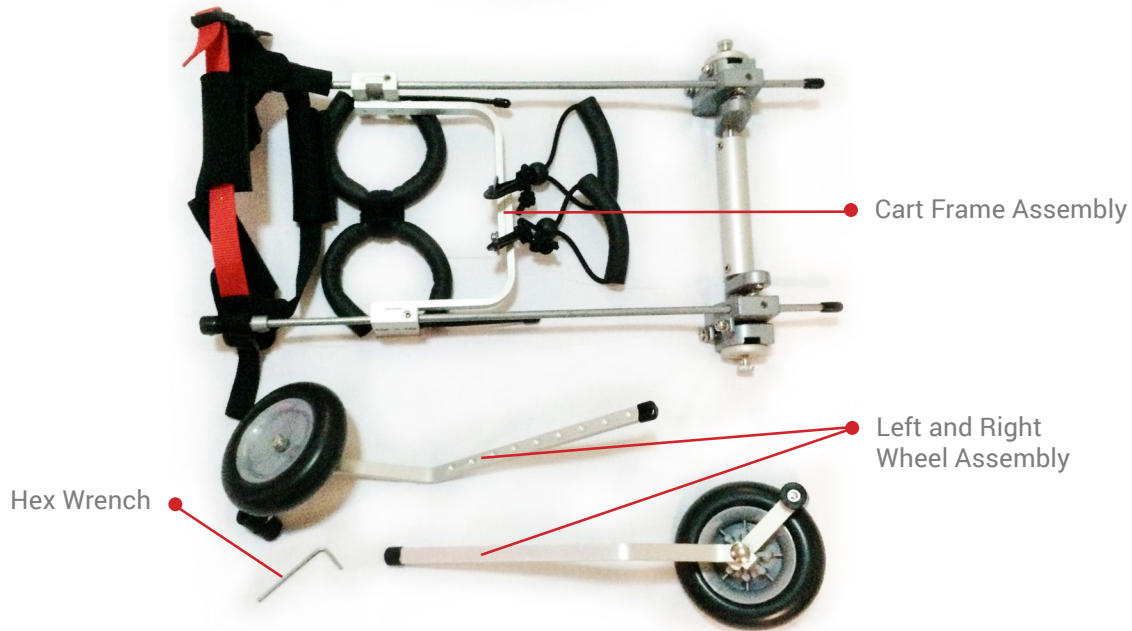
If your pet has very little or no rear-limb strength, one person can be the support while the other does the measuring.

SITGO SUPPORT WHEELCHAIR SIZE CHART

XS	9"-14"
S	15"-17"
M	16"-20"
L	20"-29"

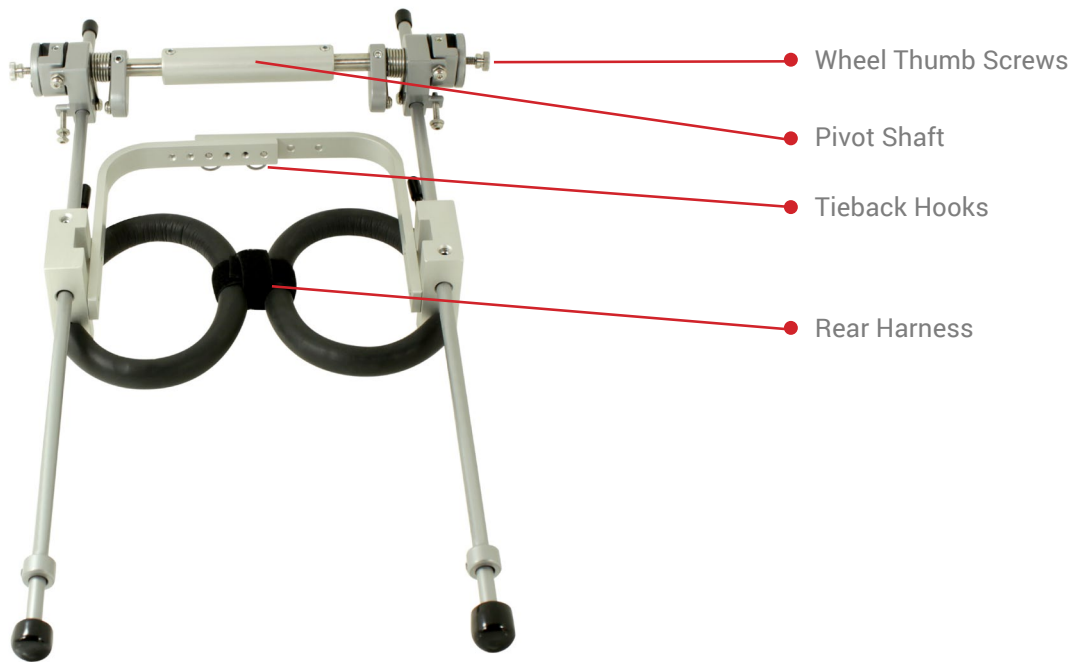
ASSEMBLY

Let us begin with the assembly by checking out all the pre-assembled parts and tools.

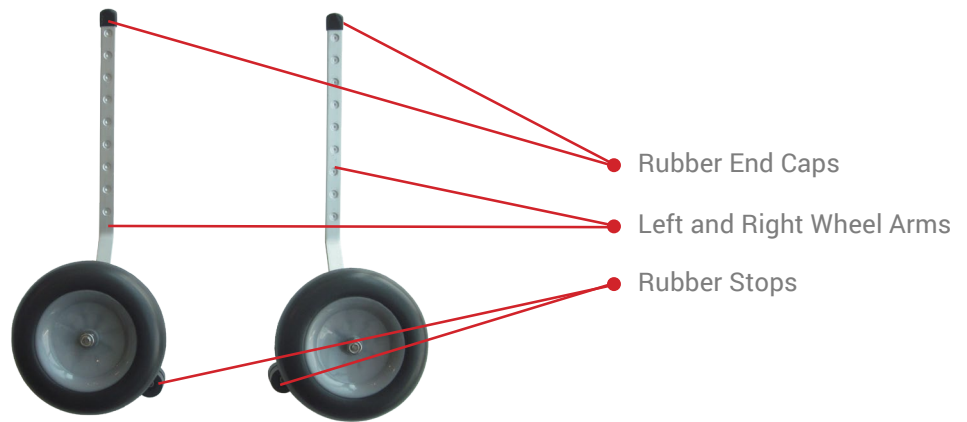


Pre-assembled parts and tools

BREAKDOWN OF PRE-ASSEMBLED PARTS AND TOOLS



A. Cart Frame Assembly



B. Left and Right Wheel Assembly



C. Front Harness



D. Rear Leg Strap

E. Hex Wrench



F. Wheel Actuator Alignment Tool



ASSEMBLING THE WHEELCHAIR

1. To attach left and right wheels



1.1. Remove rubber end caps from left and right wheel assemblies (B).

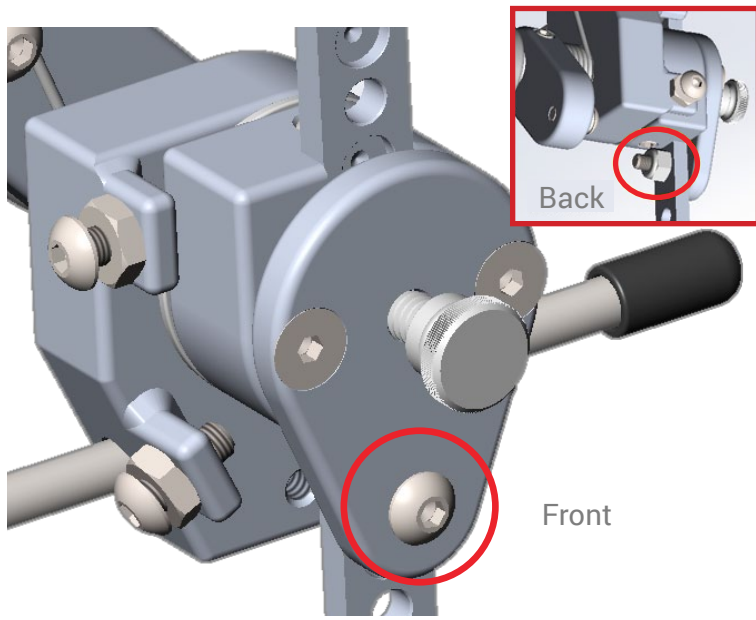


1.2. Loosen wheel bar thumb screw on the cart frame assembly (A).

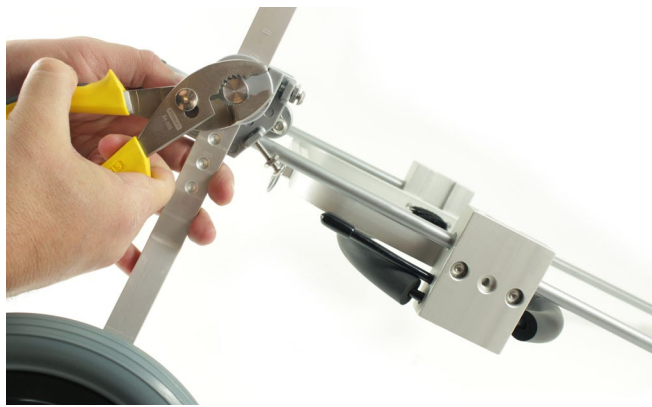


Line up top of round wheelbar assembly to scored line like so to ensure that thumbscrew lines up

1.3. Line up top of round wheelbar assembly to scored line like so to ensure that thumbscrew lines up into corresponding divot.



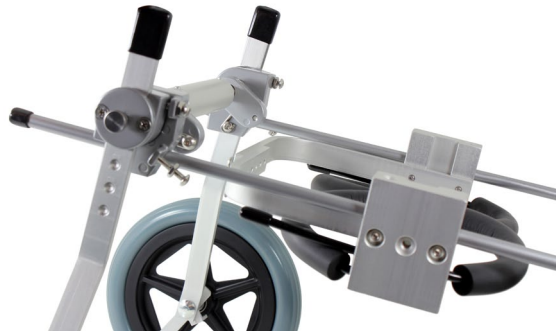
NOTE: In some models, there is an additional bolt for securing the wheels at the proper height (see illustration). Once you are satisfied with the height of the wheel bar for your pet, tighten the main thumbscrew. You can tighten the additional bolt as well using the provided tools.



1.4. Tighten thumbscrew with pliers or vise Grips securely to avoid any slippage.



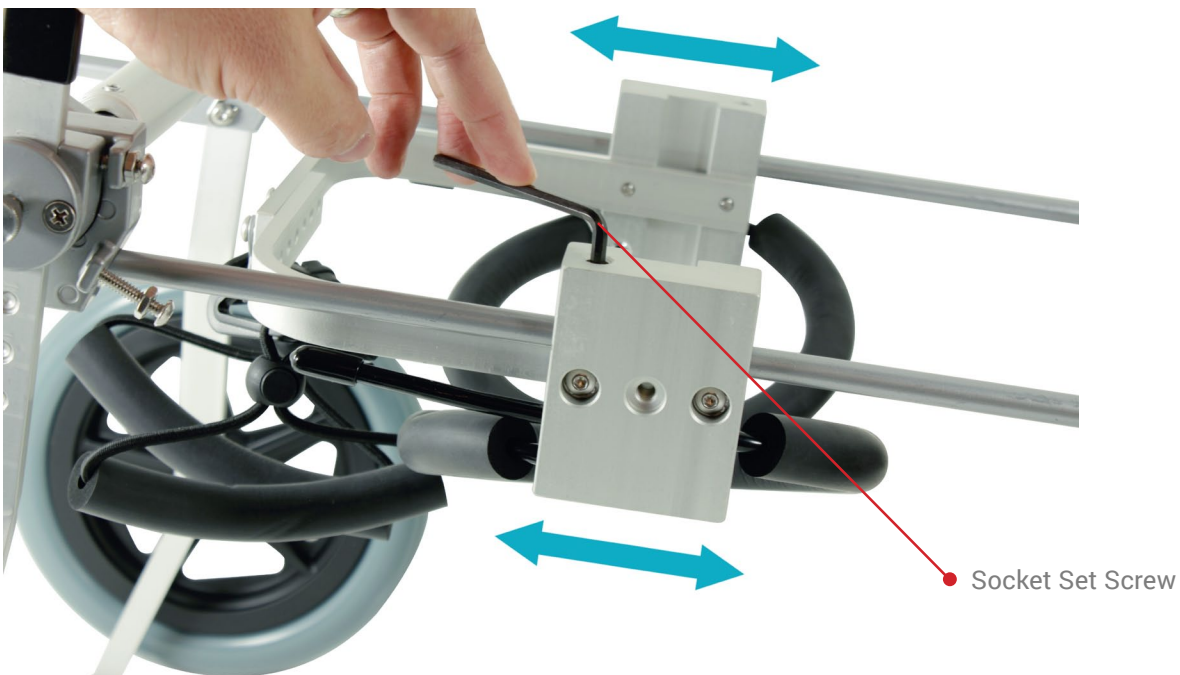
1.5. Make sure the rubber stops on the wheel assemblies (B) are facing the rear end of the wheelchair.



1.6. Return rubber end cap on the wheel assembly.

1.7. Repeat 1.1. to 1.6. to install the left wheel assembly to the cart frame assembly.

2. To adjust length



2.1. Loosen socket set screws on upper part of side arm connector with hex wrench.

2.2. Adjust length by pulling or pushing the side arm.

2.3. Repeat on other side arm. Adjust to align both side arms.

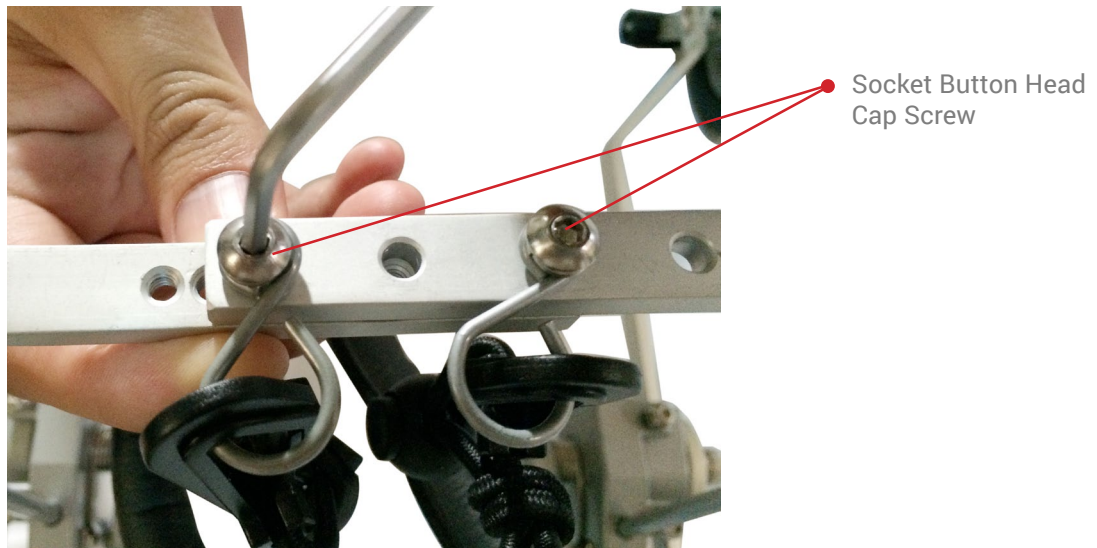
2.4. Tighten socket set screws with hex wrench (E).

2.5. Loosen socket set screws on left and right small rear harness assembly using hex wrench.

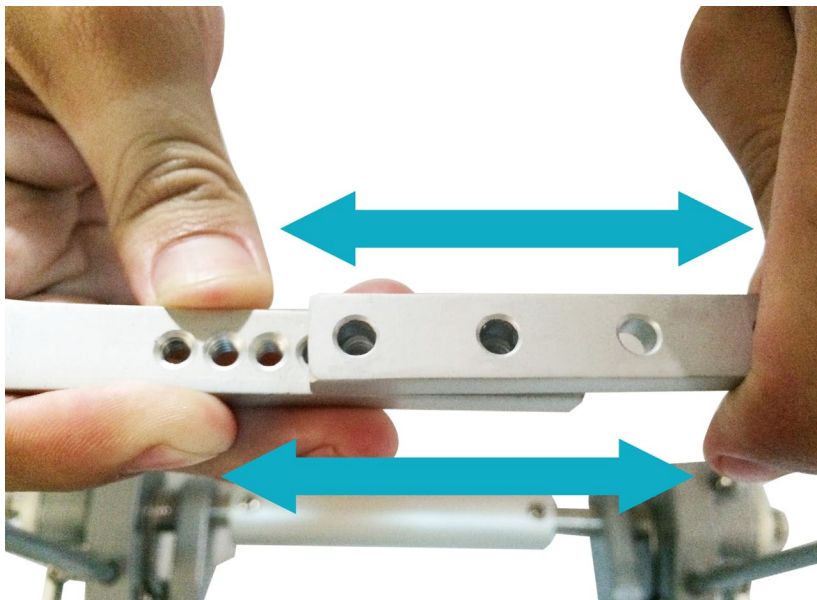
2.6. Adjust position by pushing forward or backward along the side arm.

2.7. Tighten socket set screws with hex wrench.

3. To adjust width

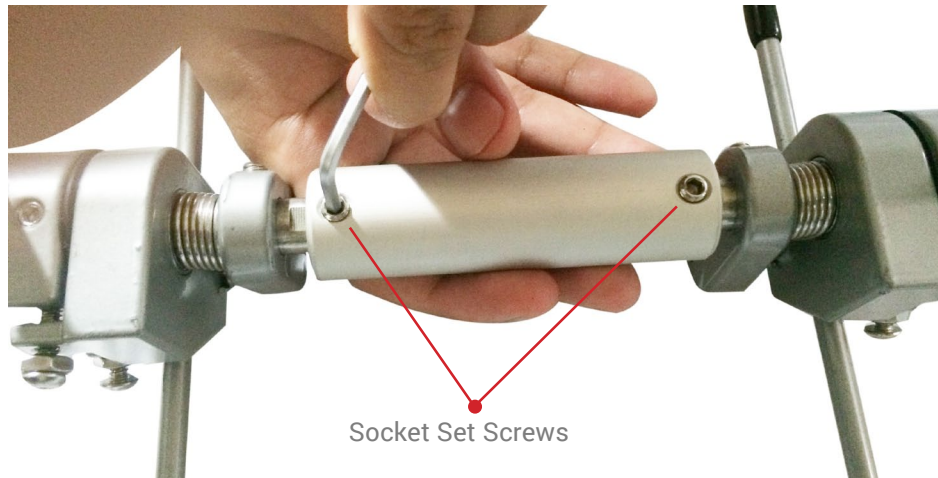


3.1 Loosen and remove socket button head cap screws on the rear harness bars using hex wrench.harness bars using hex wrench.

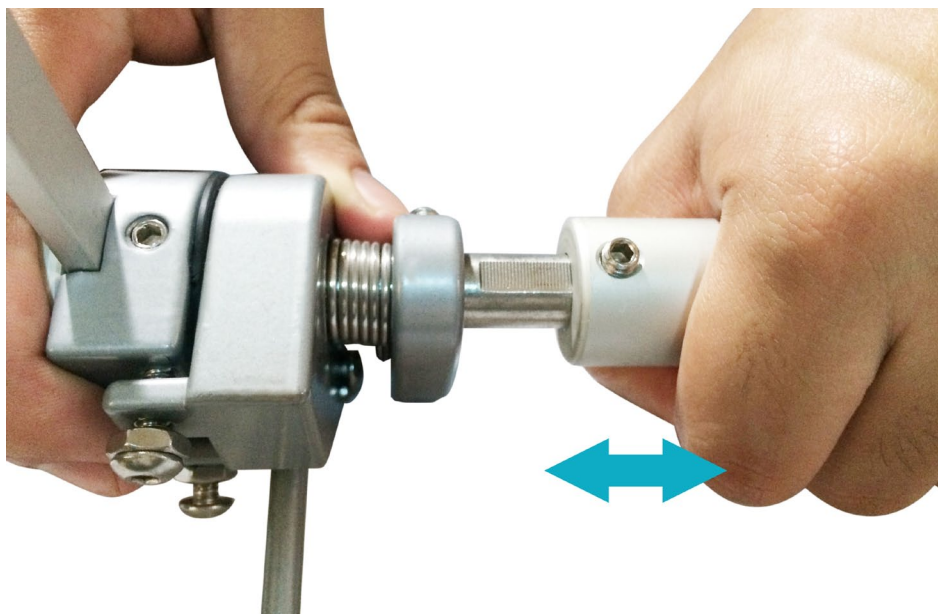


3.2 Move the rear harness bars to desired width. Make sure that at least two holes on right rear harness bar are aligned to two holes on left rear harness bar.

3.3 Return socket button head cap screws on aligned holes and tighten with hex wrench.



3.4 Loosen socket set screws on pivot shaft connector using hex wrench.



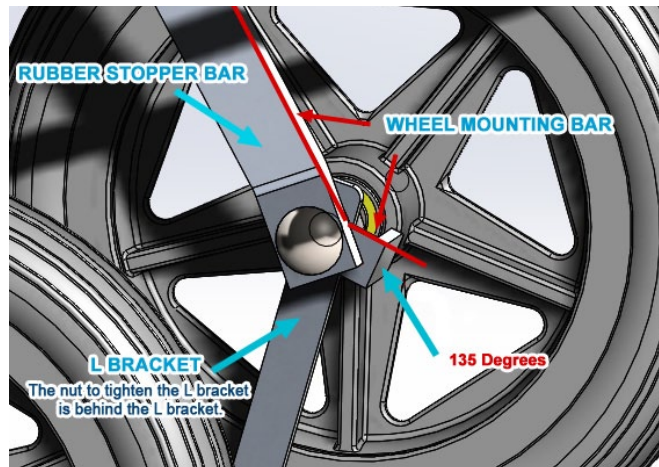
3.5 Adjust by moving the pivot shaft connector and pivot shaft to desired width.

3.6 Tighten socket set screws on pivot shaft connector using hex wrench.

3.7 Repeat 3.4 to 3.6 on the other end of the pivot shaft connector.

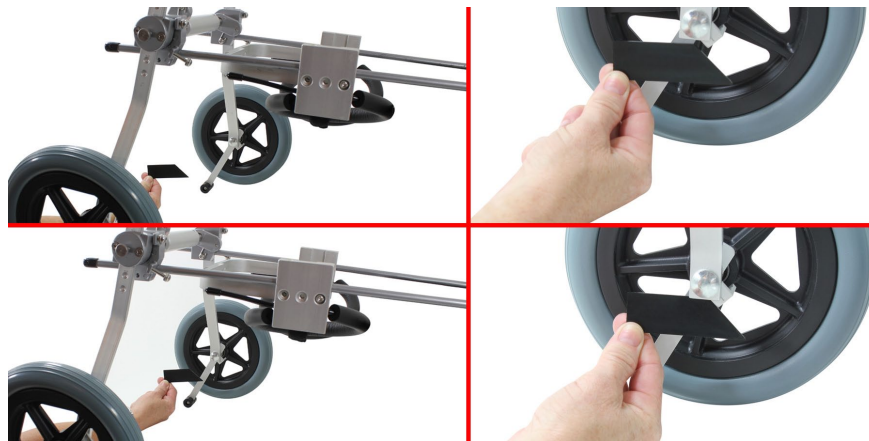
NOTE: This comes pre-assembled correctly from the factory - this section included for your reference only in the unlikely event that the wheel assembly goes out of line and needs to be re-calibrated.

4. To adjust rubber stopper and setting L-Bracket angle



The same procedure applies to all wheelchair sizes. Shown above and below are images of the wheel assembly for the SitGo large.

4.1 Slightly loosen the nut between the L-bracket and the Rubber Stopper bar. The L-bracket should be loose enough to be moved but not loose enough to slide on its own.



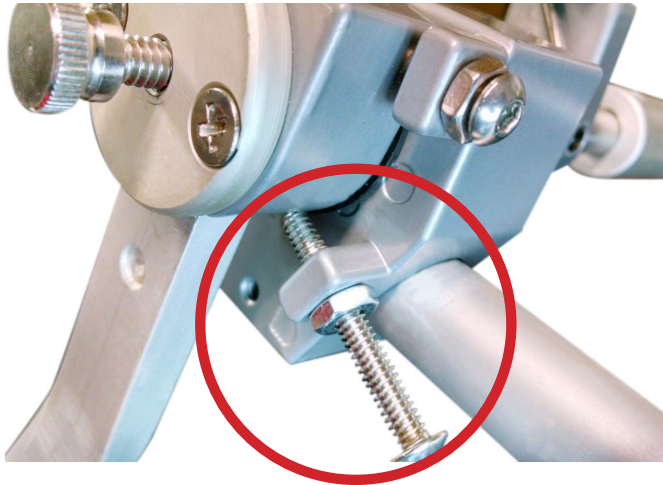
4.2 Place plastic wheel acuator alignment tool as shown in diagram to recalibrate properly.

4.3 Re-tighten the nut carefully, make sure not to move the position of the L-bracket. You can use the rubber stopper bar to keep the L-bracket from moving while you tighten the nut.

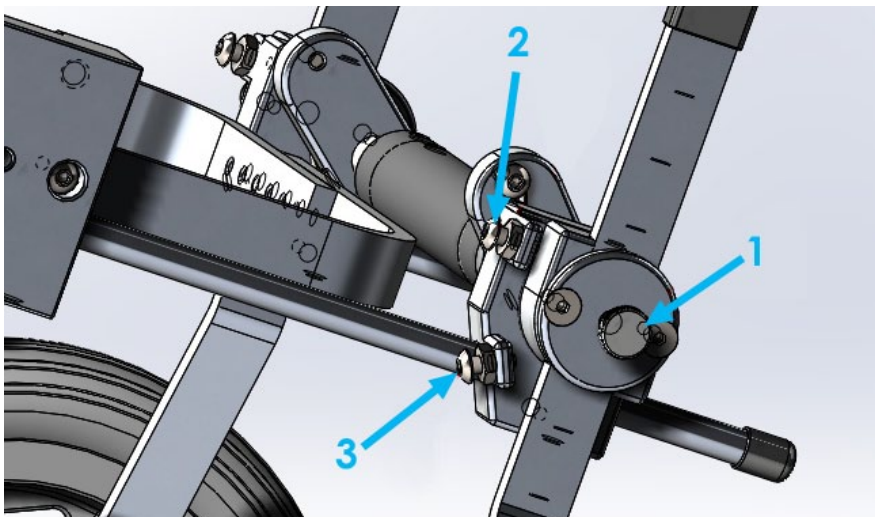
4.4 Make sure that the rubber stopper bar can move freely without excessive play.

HINT: If the Angle Bracket keeps moving away from its intended position when you tighten the nut, adjust the Angle Bracket a bit off your intended position so that when you tighten the nut the Angle Bar will move slightly to the intended position.

5. To switch the SitGo function to different settings



5.1 The SitGo's collapsible setting is locked when shipped from the factory. Once you have adjusted it to your pet's size and once your pet has acclimated to using a wheelchair, you can adjust or completely remove the bolt shown above to activate the SitGo's collapsible feature. Please note that the spring tension will need to be adjusted for the weight of your pet (see number 6 of this section).

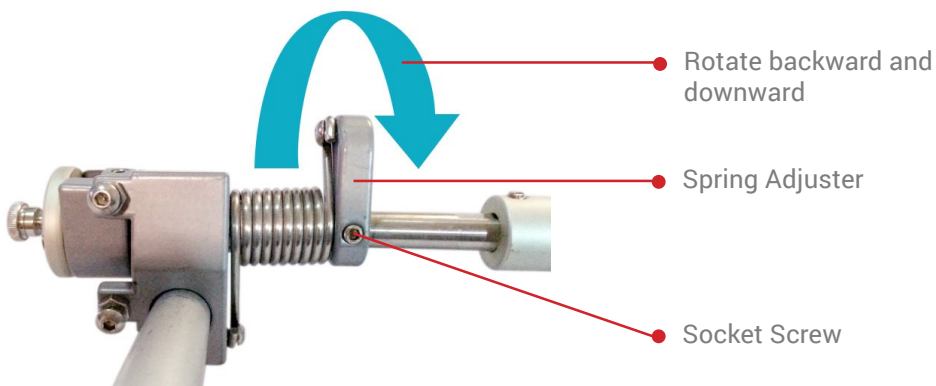


5.2 To release the SitGo function from its non-collapsible setting to the collapsible setting, loosen the number 3 bolt indicated in the image above until you are able to collapse the wheelchair all the way down.

5.3 To return the SitGo function from the collapsible to the noncollapsible setting, while the wheelchair is fully upright fully tighten the number 3 bolt indicated in the image above then fully tighten the jam nut. A longer 10-24 bolt may be used if needed. They may be placed on either side of the bracket.

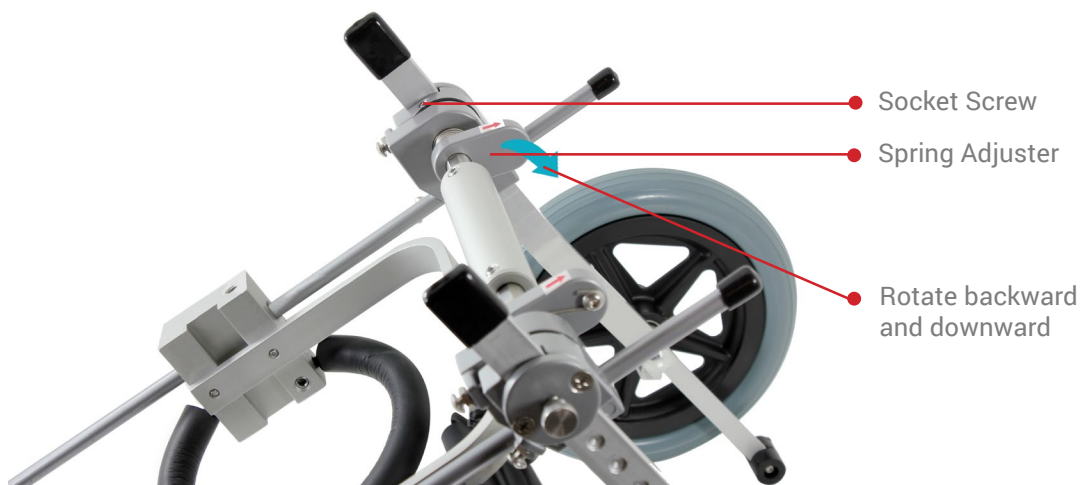
5.4 To allow the wheelchair to collapse but stop it from going back to its full upright position, tighten the number 2 bolt indicated in the picture above. This setting can be used in conjunction with setting the wheelchair height if your pet is still too high for the wheelchair.

6. To adjust for the weight of the pet



6.1 Hold on to the Spring Adjuster to keep it from moving.

6.2 Loosen the set screw on the Spring Adjuster.



6.3 Rotate the Spring Adjuster going backward and downward. The two arms work in the same way. Their weight bearing capacity is additive. Meaning that each spring carries half the weight of the back side of the dog.

6.4 Adjust the tension on the Spring Adjuster until there is sufficient tension to support your pet when standing and also when moving from sitting or lying down position to standing position. The tension should also not be too much so that your pet will need little effort to move from standing position to lying down or sitting position. This will take some effort to achieve because it will need a bit of trial and error until you find the perfect tension balance for your pet.

Hint: One method of doing this is to initially set the Spring Adjuster to a very high tension position. Then slowly adjust the tension lower while having your pet try using the wheelchair at each adjustment until you find the right tension for your pet.

Warning: Do not set initial tension at a very high magnitude for the S, or XS sizes. For small dogs, because the weight is low, high spring tension may launch them up from the sitting position too quickly and forcefully.

You are done with the assembly!



FITTING YOUR DOG TO THE WHEELCHAIR

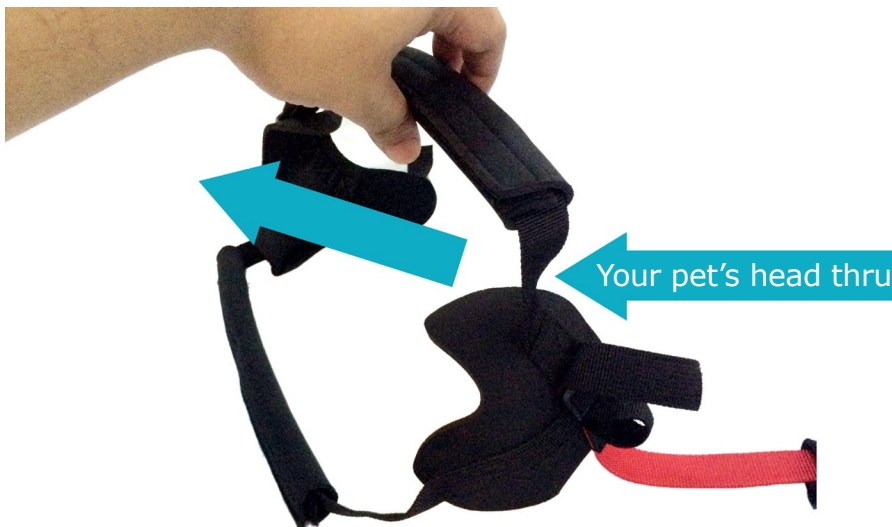
1. To put the front harness on your pet

HINT: With a little practice, most users find it easier to leave the front harness on the cart and clip on and off the red front leg strap as needed.

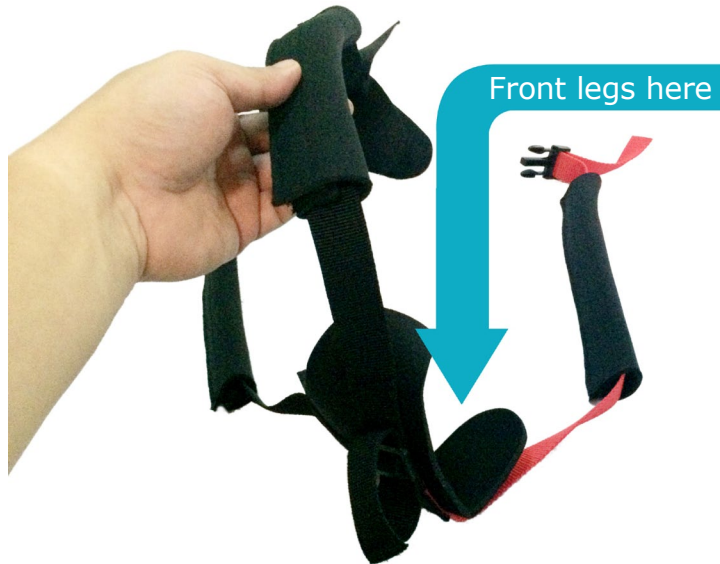


1.1 Loosen the straps of the front harness (C) around the side arms and detach from the cart frame assembly (A).

1.2 Unclip the front leg strap (red strap).



1.3 Guide your pet's head thru the two black straps until middle black strap reaches your pet's upper chest below the neck and the upper black strap is across your pet's back shoulder area. Make sure the front leg strap (red strap) is at the bottom.

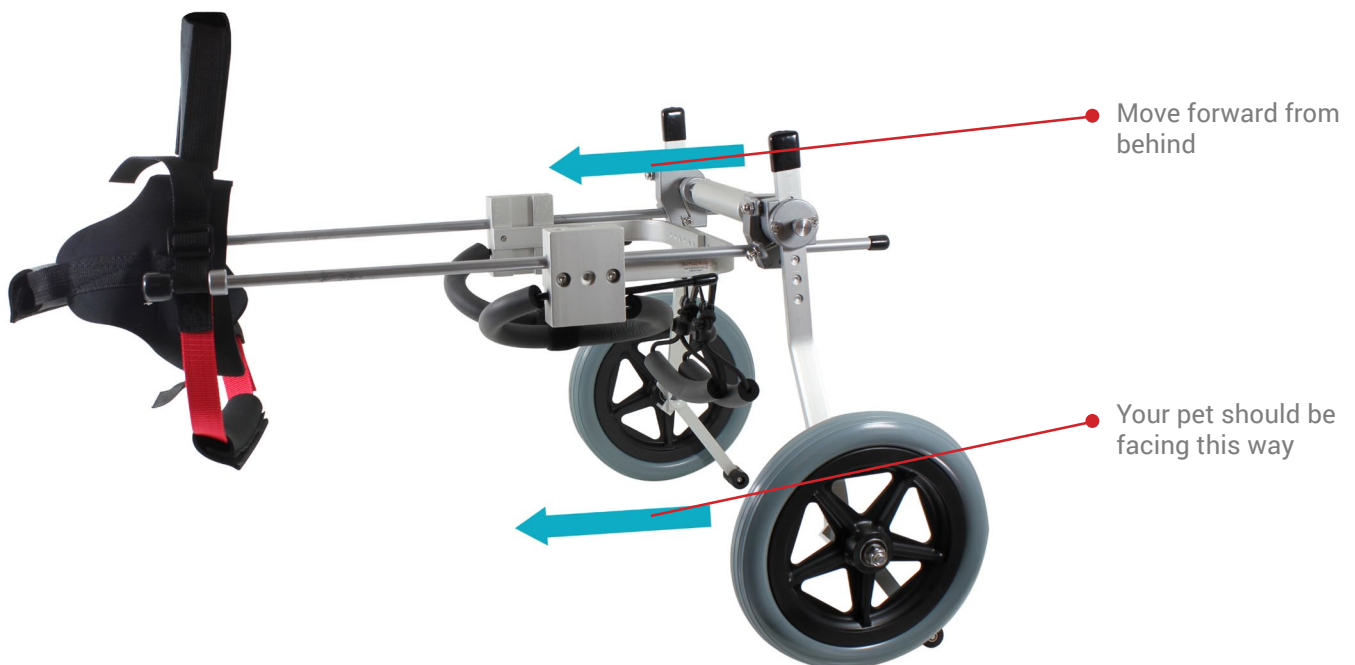


1.4 Place the front leg strap behind the front leg, across the bottom chest, behind the other front leg until it reaches the side release buckle on the other side.

1.5 Lock the clip.

1.6 Using the adjuster buckle, adjust the straps to fit your pet snugly and comfortably.

2. To put your pet into the rear harness.



2.1. Bring the wheelchair from behind your pet and let your pet pass thru.

- 2.2. Move the wheelchair forward until your pet fits in the middle of the wheelchair.
 - 2.3. Move the arm assembly backwards. The wheelchair will move downwards simulating the SitGo motion.
 - 2.4. Lift each hind leg of your pet and insert into the corresponding hole of the rear harness.
3. To fasten the front harness
 - 3.1. Re-attach the straps of the Front Harness by sliding them through the Side Arms of the Cart Frame Assembly.
 - 3.2. Adjust tightness of straps via adjuster buckles if necessary.
 4. To secure your pet's rear legs to the rear leg straps



- 4.1. Use the rear leg straps to protect your pet's hocks and keep them from dragging.
- 4.2. Loosen straps by pressing on the cord lock.
- 4.3. Insert each leg to corresponding rear leg strap.
- 4.4. Adjust to a comfortable tightness.
- 4.5. Make sure that legs can rest at a relaxed angle.

CONGRATULATIONS!

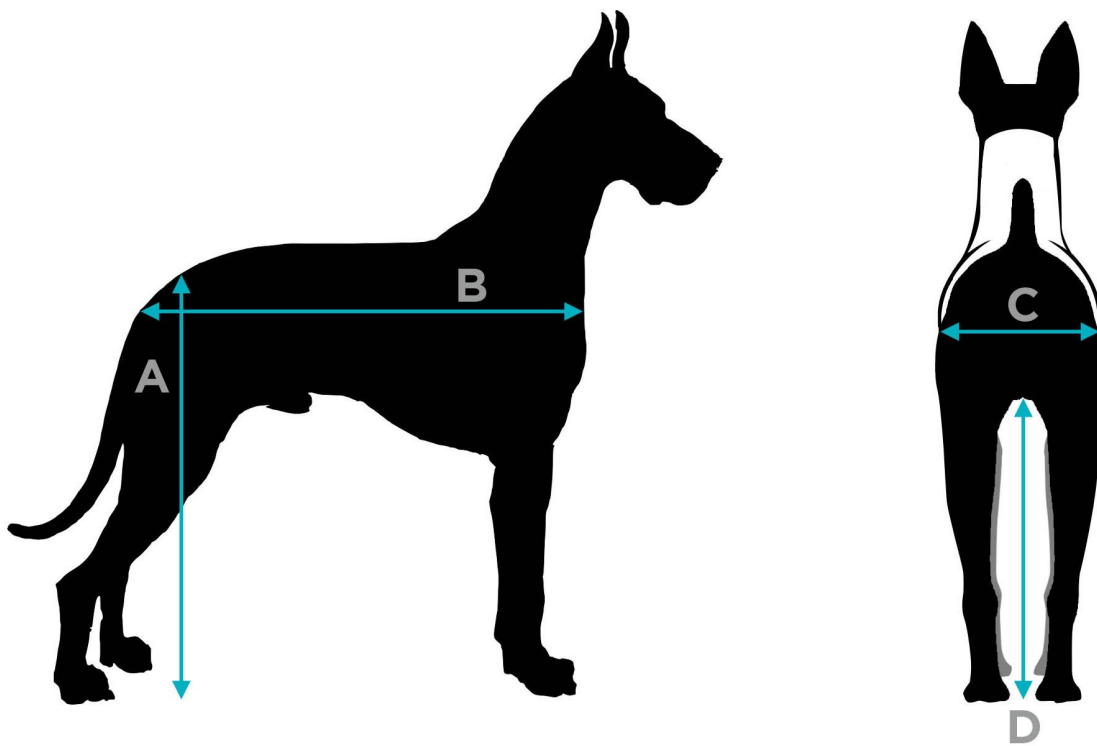
You pet is now ready to take the first steps towards mobility.

ADDITIONAL MEASUREMENTS FOR A PROPER FIT

Once you have assembled your pet's new Best Friend Mobility wheelchair, you can use the measuring guide below to give it a customized fit.

We always strive to keep things simple. The following are the key measurements you need to take to ensure a comfortable ride for your pet.

Please remember to use a rigid tape measure. If your pet has difficulty standing or staying upright, get someone to help either support your pet or do the measuring.



- A. Rear leg height, from floor all the way to the backbone (top of the pelvis)
- B. Body length
- C. Hip width—straight across
- D. Floor to groin height

Notes on measurements

1. The rear leg height measurements (A and D) are to ensure that the wheelchair is set so that your dog's body is properly supported. When set at the correct height, your pet can use what movement and strength it has in its legs—allowing your pet some traction (instead of pawing air). If your pet has no hind leg strength, use the leg straps to prevent paw dragging.
2. The hip width measurement (C) will help you get the right setting for the crossbars. The right width setting will prevent painful chafing that can occur in improperly set wheelchairs, where your pet's body may end up repeatedly rubbing against the metal frame.

Tips

- The front side arms should be approximately 1-2 inches below the top of your pet's shoulders.
- The rear side arms should be approximately 1-2 inches below the top of your pet's hip.
- The two side arms of the wheelchair's frame should be parallel to your pet's back
- Your pet's sides should be approximately 1 inch away from the side arms.
- Your pet's sides should not rub against the side arms while your pet is walking.
- The front harness should rest snugly but comfortably under your pet's forelegs.
- The front strap should sit slightly above the center of the chest.
- The front strap must not press against the throat.
- The front strap must not rest below the center of the chest.

Because Best Friend Mobility wheelchairs are adjustable, it is important to get your pet fitted properly. Setting the height, length, width, and spring tension (for SitGo wheelchairs) will be your task. You might get it right on the first try or a bit of fine-tuning might be required. Either way, we are confident that your pet will be wheeling about in no time.

DO NOT LEAVE YOUR PET ALONE IN THE CART!



CARE AND MAINTENANCE

Keep the Best Friend Mobility wheelchair clean. Your pet will surely appreciate it and ride with pride. Wipe down aluminum surfaces with warm, soapy water using a soft cloth such as a microfiber or cotton rag. Rinse and dry.

Check the bolts and screws frequently; retighten if loose. Adjust or tighten loose straps as well.

Remember to hose or wipe down tires to keep them from tracking dirt. Check tire pressure every so often and inflate when needed. To reduce bounce and increase traction, lessen tire pressure (to just under 35 PSI) to give the wheelchair a more comfortable ride.

Wash the sling, harness, and straps in cool, soapy water and hang them to dry. Opting for a perfume-free detergent will help your pet avoid skin irritation. You may want to try odor neutralizers (homemade or store-bought) to counter any smell that may remain in the harness.

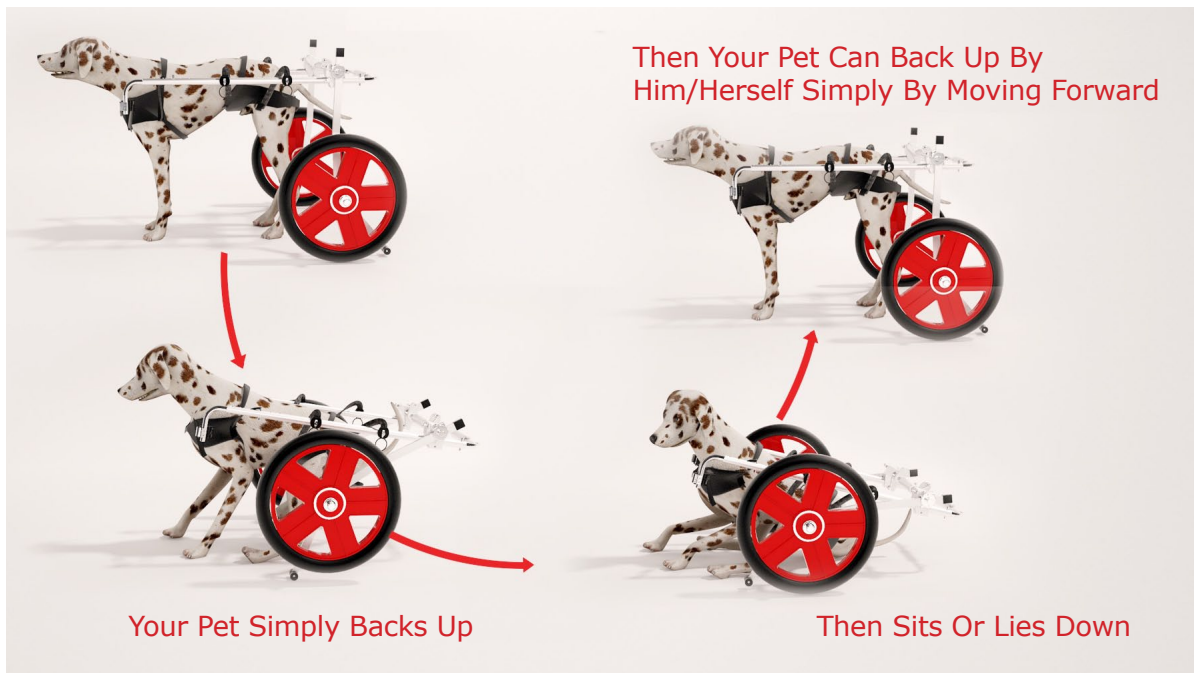
PRODUCT INFORMATION

It's finally here! The SitGo, Best Friend Mobility's revolutionary pet wheelchair that allows our best buds not only to get up and go but also to lie down, sit, and relax even in their wheels!

Still made of the same durable, lightweight materials as our rear leg support and quad support wheelchairs, the SitGo is the first of its kind to allow for voluntary sitting and lying down.

And, because the rear can be collapsed, getting your dog in the wheelchair— especially if he or she is big and heavy—becomes an easier, no-lifting operation.

SitGo Series Collapsible Chairs



The SitGo Motion

The SitGo is truly revolutionary! It is the only wheelchair available in the market that gives a pet the option to sit or lie down even while on its wheelchair. No unstrapping necessary. It allows for a more natural flow of movement. A pet can run around, sit, play, lie down, and run around some more without the hassle of getting off the cart then on again.

SITTING OR LYING DOWN

Step 1: While in the SitGo wheelchair, your pet will back up a few steps.

Step 2: The rubber stoppers will grip the surface of the floor.

Step 3: As your pet continues to back up, the rubber stoppers will lift the wheels off the floor.

Step 4: As the rubber stoppers pass under the wheels, the wheelchair's rear will begin to lower. The springs that balance the weight of the dog will assist in making it a smooth transition to a sitting position.

Step 5: The SitGo will continue to lower until your pet is lying on the floor—with front legs in resting position—unless the rubber stoppers are adjusted to restrict the downward movement of the wheelchair. If your pet has injuries on its underside, the rubber stopper will allow your pet to remain off the floor. (For instructions for adjusting the rubber stoppers, see number 4 of the Assembly section)

GETTING UP

Step 1: Your pet will get up on its front legs.

Step 2: With a few steps forward, the rubber stoppers will grip the surface of the floor.

Step 3: As your pet continues to move forward, the rubber stoppers will lift the wheels off the floor.

Step 4: As the rubber stoppers pass under the wheels, the wheelchair's rear will begin to rise with the assistance of the springs.

Step 5: The SitGo will continue to rise to full standing position.

Specifications:

- Self-actuating assisted sit/stand assembly
- Adjustable spring tension system
- Lightweight adjustable non-rust aluminum frame
- Stainless steel hardware—very simple and quick assembly
- Deluxe neoprene front and rear harness for complete comfort
- Designed and tested by K9 Orthopaedic surgeon
- Easy hex wrench adjustment of height, length, and width
- Pet can use the cart for assisted walking or full rear leg support—with zero rear leg weight-bearing capacity
- Allows pet to use the bathroom while in cart
- All terrain polyurethane wheels with sealed bearings
- Easy clip-on function front harness system

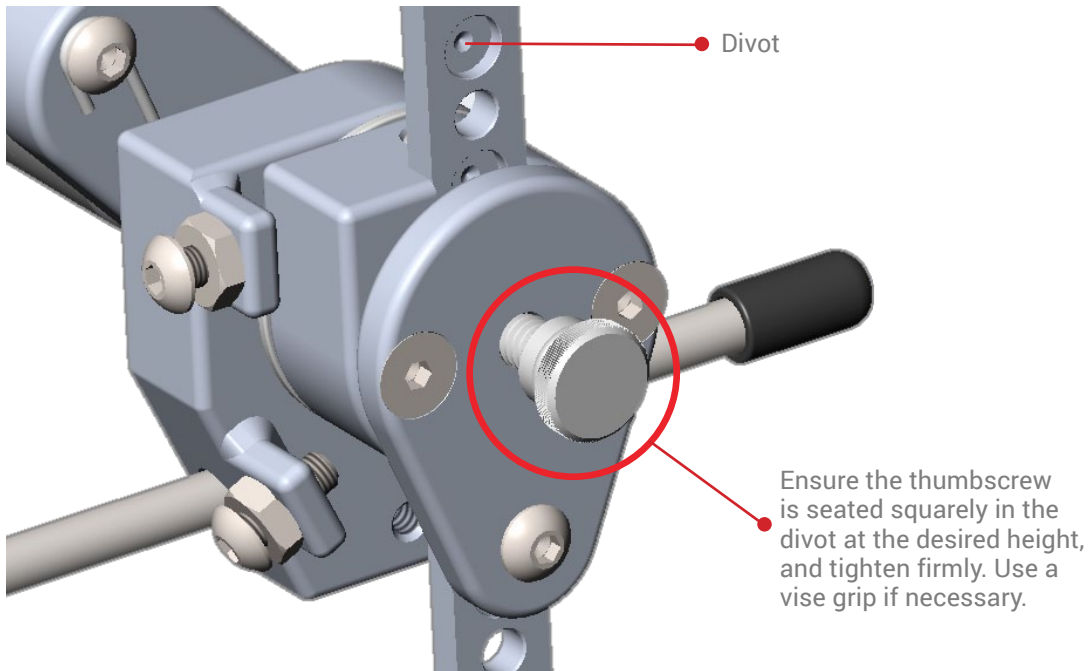
The SitGo Collapsible Rear Leg Support Dog Wheelchair is best for:

- Hip Dysplasia (NOTE: Surgical intervention may have best outcome for hip dysplasia)
- Arthritis
- Rehabilitation
- Neurological problems like osteomyelitis or degenerative myelopathy
- Fractured spine/back
- Rear limb amputation
- Ligamentous injury like PCL or ACL
- Thoracic or Lumbar disc injury
- Any other condition that results in rear leg or joint pain, or weakness and discomfort from any weight-bearing activities

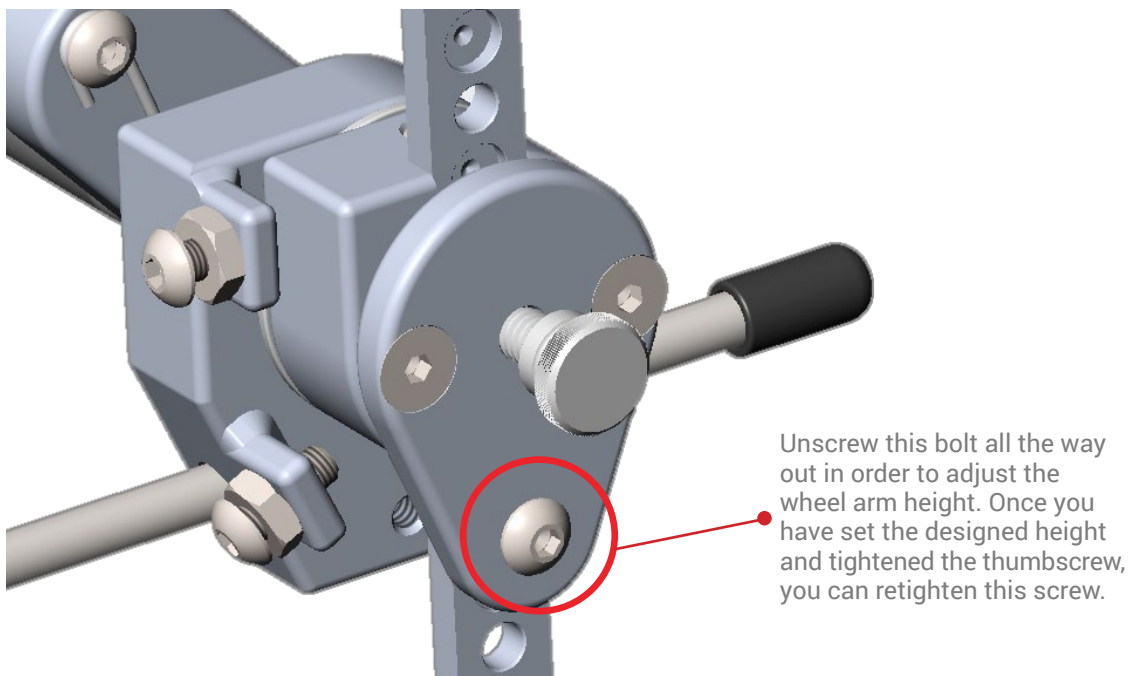
SITGO WHEELCHAIRS TROUBLESHOOTING GUIDE

1. PROBLEM: Wheel arms are slipping; they will not stay at the correct height.

SOLUTION: Please make sure that thumbscrew is seated firmly against the divot on the wheel arm. You can ensure this by turning the thumbscrew **BY HAND** as far as it will go, and then pulling at the wheel arm to feel for resistance. If you are unable to pull it up, the screw is seated firmly in the divot. Tighten the thumbscrew firmly with a vise grip or pair of pliers. See diagram:



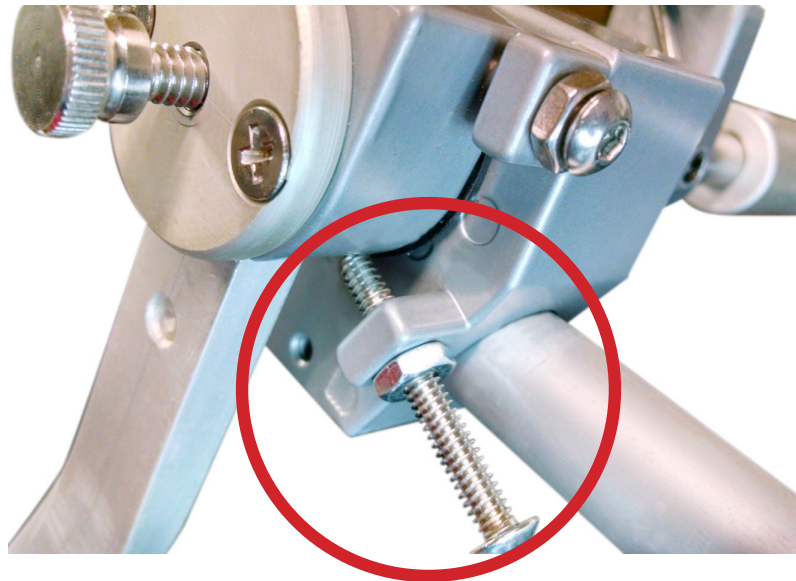
NOTE: You need to check if the second bolt is in place. This is designed to make sure that the wheel arm does not slip.



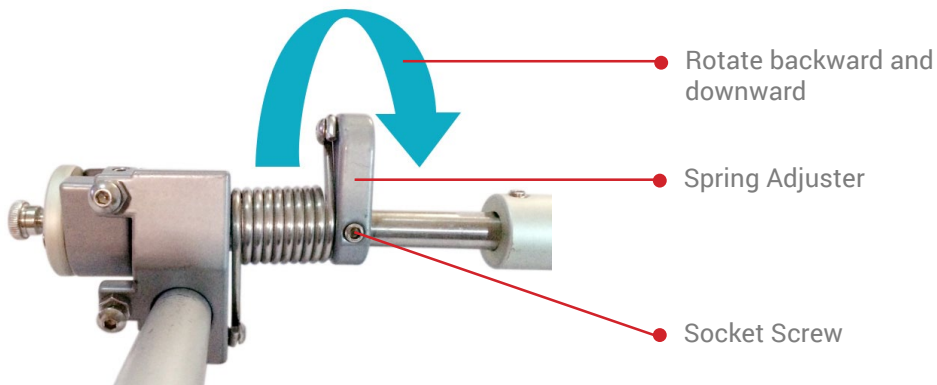
2. PROBLEM: SitGo Collapsible function is locked ; cart will not collapse.

PROBLEM: SitGo Collapsible function is active; cart collapses too easily and won't hold my pet up.

SOLUTION: The SitGo collapsible function is locked at the factory prior to shipping. It is our recommendation that you first allow your pet to get used to the chair in the locked position. This can take several days or weeks. Once your pet is able to move around comfortably using the chair (in locked position), you may then activate the SitGo Collapsible function by adjusting or removing the long screw located near the wheel arm box, as shown below:



NOTE: If the cart collapses too easily, you must increase the tension as needed to counter your pet's weight as described below. Or, you can re-insert the locking screw (partially or fully) as described above.



3. PROBLEM: The cart is too big/too small for my pet.

SOLUTION: Please contact customer care with the height measurement for a replacement chair at:

- Customer Care: 843.492.5283
- Email: support@dogwheelchairscenter.com
- Hours of Operation: Monday to Friday; 10:00am to 6:00pm EST

To get your pet's height, measure from the floor to the top of the hindquarters while standing. This may require two people, as someone may need to hold the pet in standing position while the other person is taking the measurement. We will be happy to replace your chair with the correct size.

4. PROBLEM: Some parts were damaged in shipping, missing, or the chair has some other malfunction.

SOLUTION: In case of malfunction, please ensure that you have assembled the chair correctly according to the step-by-step assembly guide in the manual, and the assembly video in the included flash drive. If you are sure the chair is defective, we will be happy to send you a replacement. If some parts are missing or damaged, we will send them to you by free express shipping. Please contact us by phone or email so that we may address your problem as soon as possible.

If you are experiencing any other problems with the product, please feel free to contact customer care immediately. We are here to assist you and address your issues.

CONTACT US

If you find that you have further questions regarding the use of the Best Friend Mobility wheelchair, please contact us at:

Best Friend Mobility
279 Hwy 57 S STE4
Little River, SC 29566
Phone: (843) 492-5283
Email: support@dogwheelchairscenter.com



Best Friend Mobility
279 Hwy 57 S STE4
Little River, SC 29566
(843) 492-5283
support@dogwheelchairscenter.com

