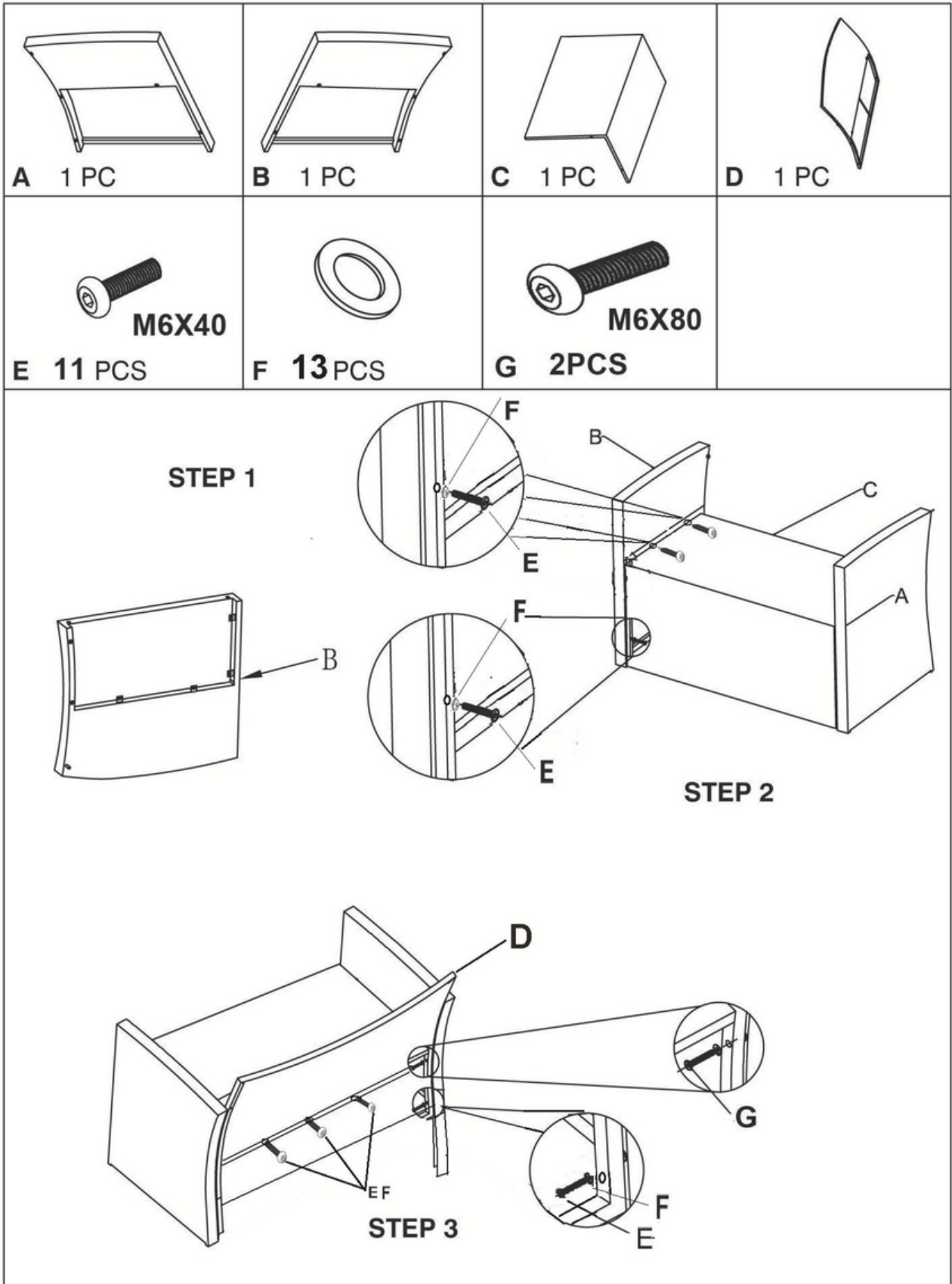


### SOFA ASSEMBLY INSTRUCTIONS

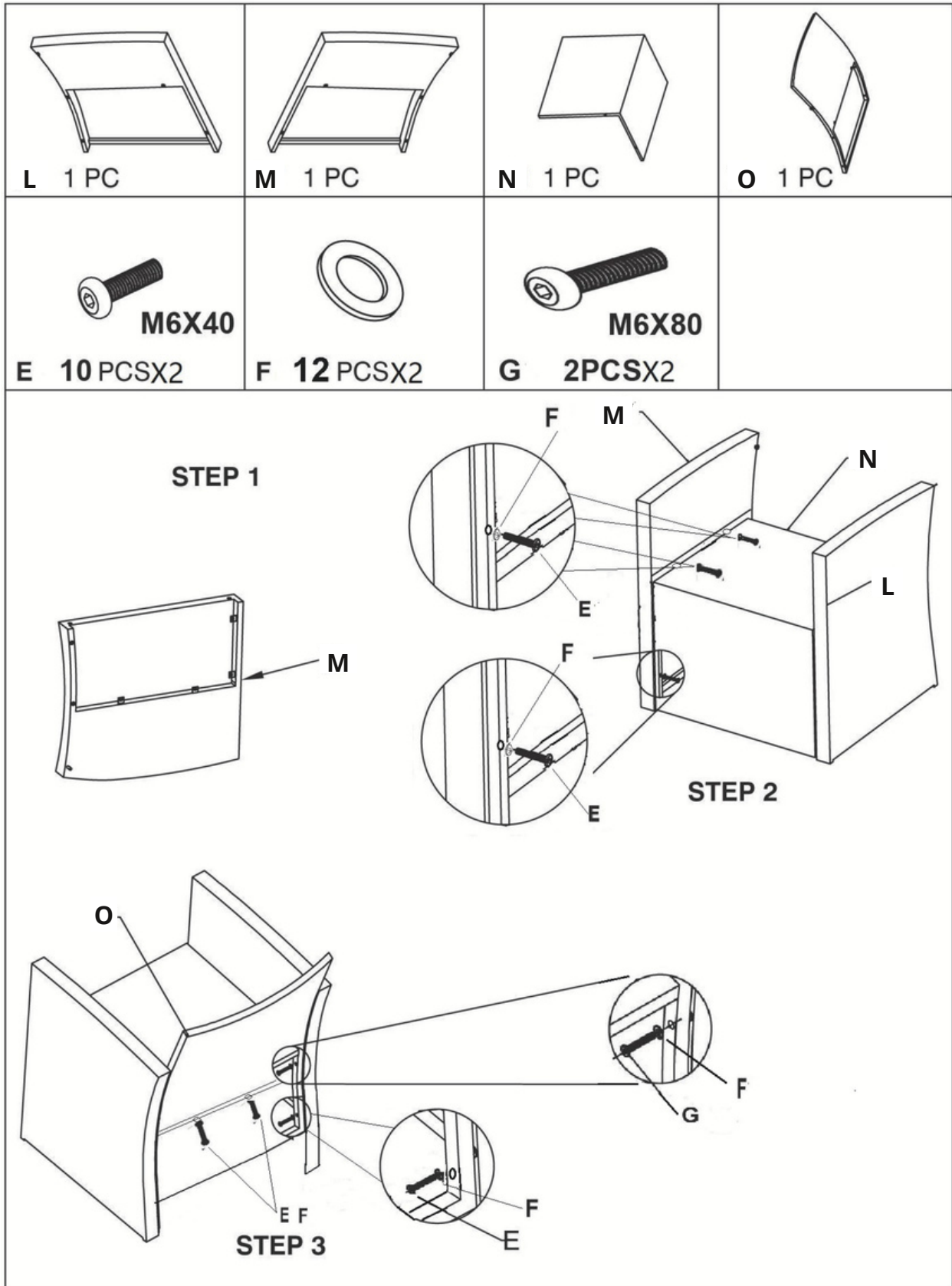


**Assembly Tip:**

First fit all screws loosely in each chair /sofa/table parts. Once all parts have been put together then slowly tighten all screws. We recommend two persons working together to assemble the set.

## Assembly Instructions

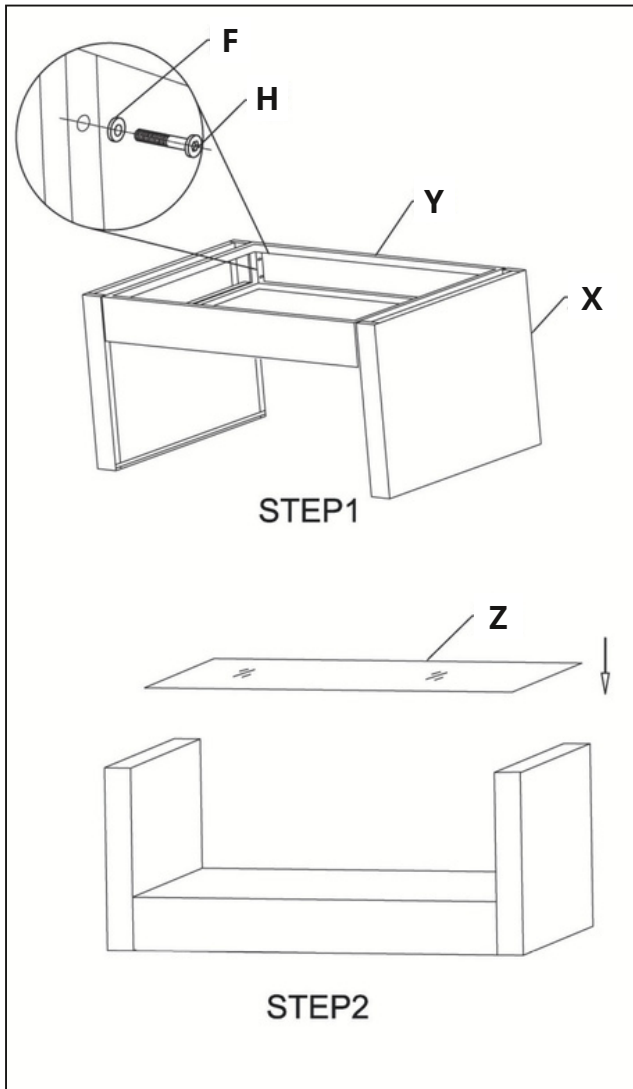
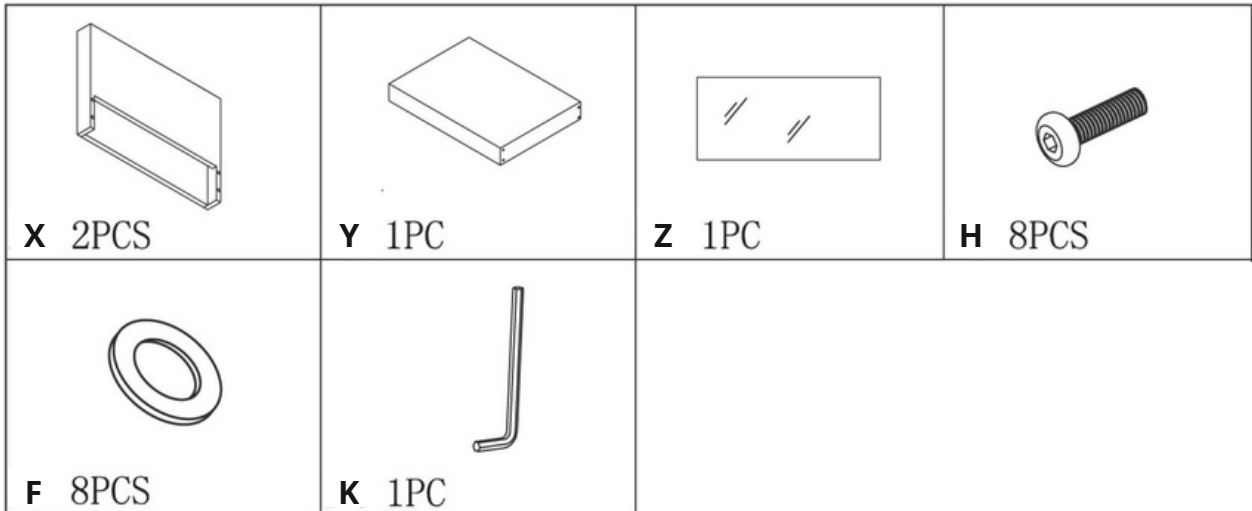
### CHAIR ASSEMBLY INSTRUCTIONS



#### Assembly Tip:

First fit all screws loosely in each chair /sofa/table parts. Once all parts have been put together then slowly tighten all screws. We recommend two persons working together to assemble the set.

## Assembly Instructions



### Maintenance Instructions

- After completing assembly, we recommend applying Anti Rust Spray such as Hammerite on bolts and connecting points.
- Please clean and maintain the rattan furniture with soft damp cloth or sponge to remove any dirt or residue.
- Try to keep an Outdoor furniture cover on your set when not in use. Please do not leave cushions outside without any protection.
- Never use abrasive cleaners on furniture.
- For Customer support or parts enquiries please email: [support@evre.co.uk](mailto:support@evre.co.uk)

### Assembly Tip:

First fit all screws loosely in each chair /sofa/table parts. Once all parts have been put together then slowly tighten all screws. We recommend two persons working together to assemble the set.

## Assembly Instructions