




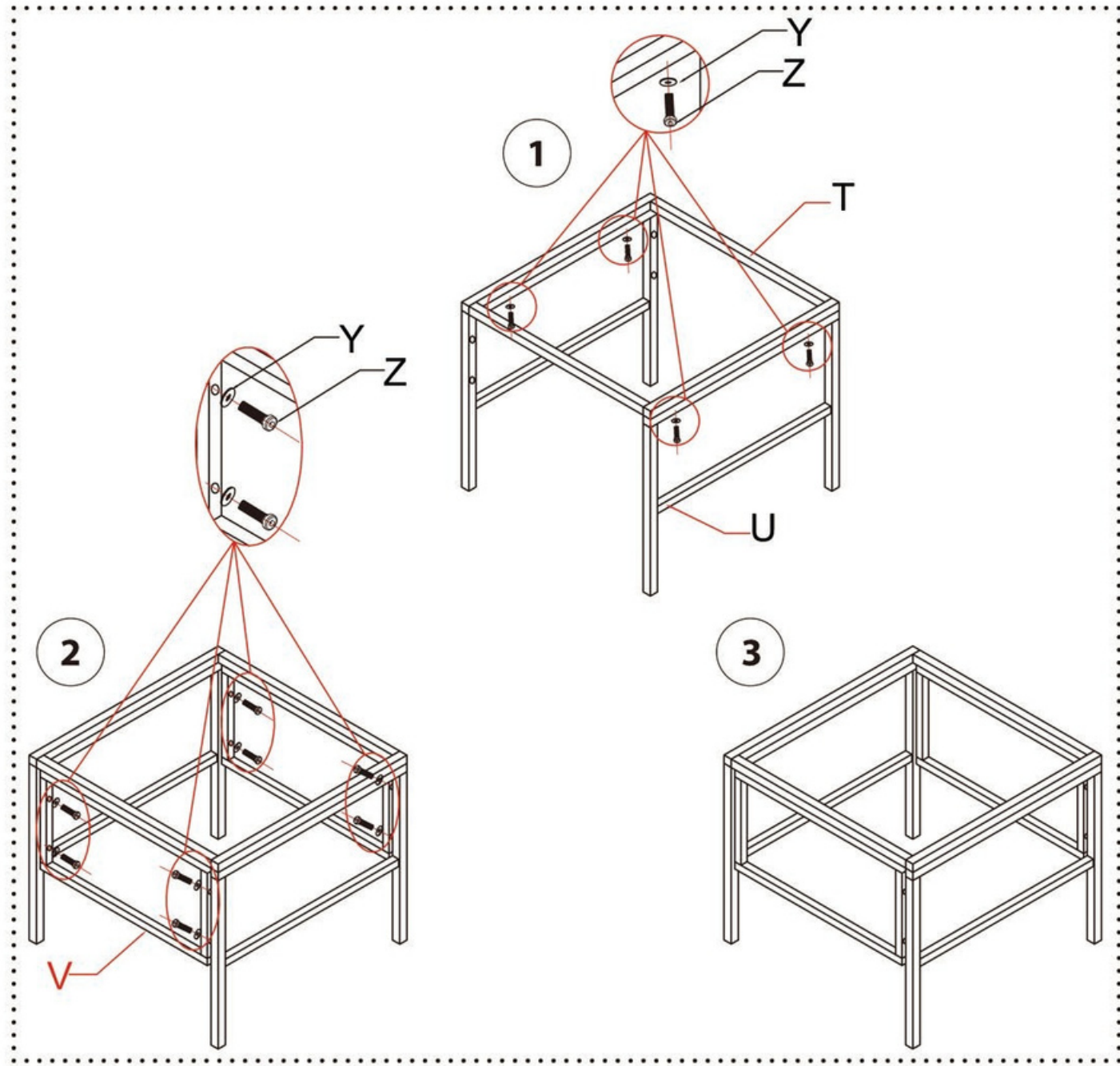



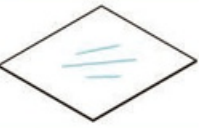




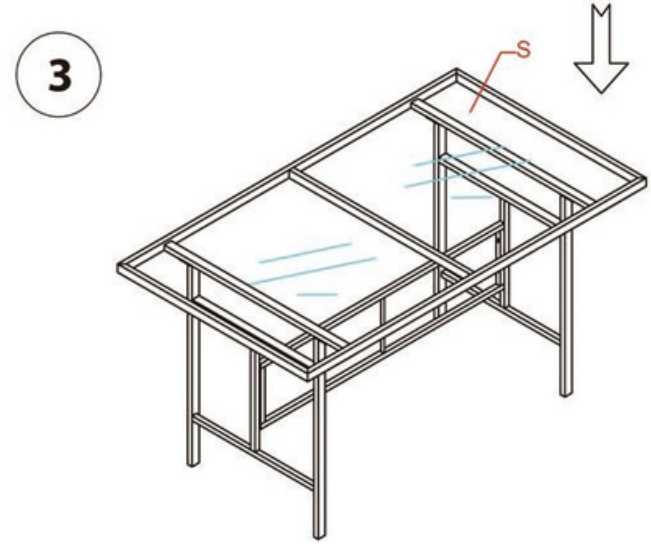
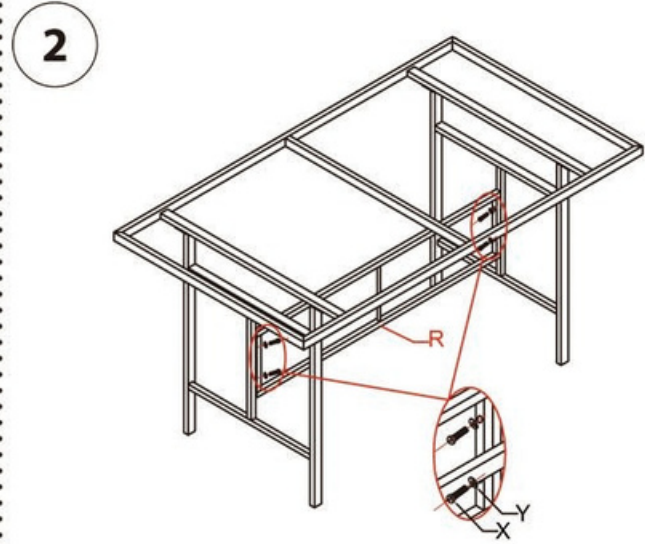
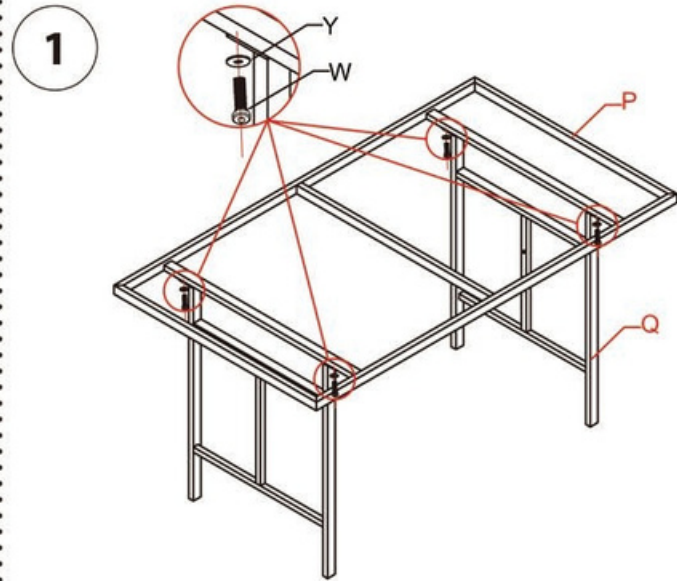









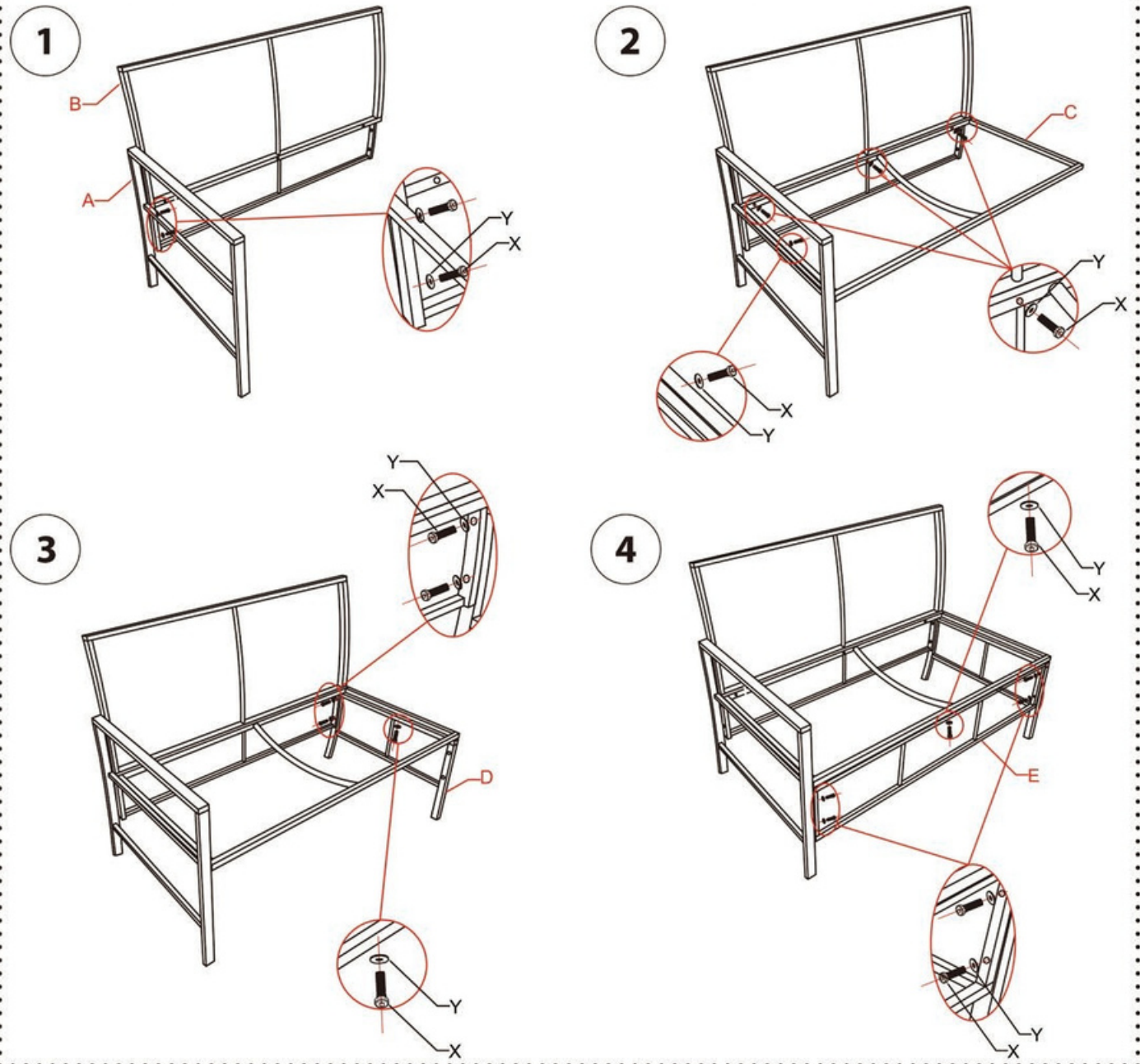
NO.	PART	QTY
T		1
U		2
V		2
Z	 M6x30	12
Y		12










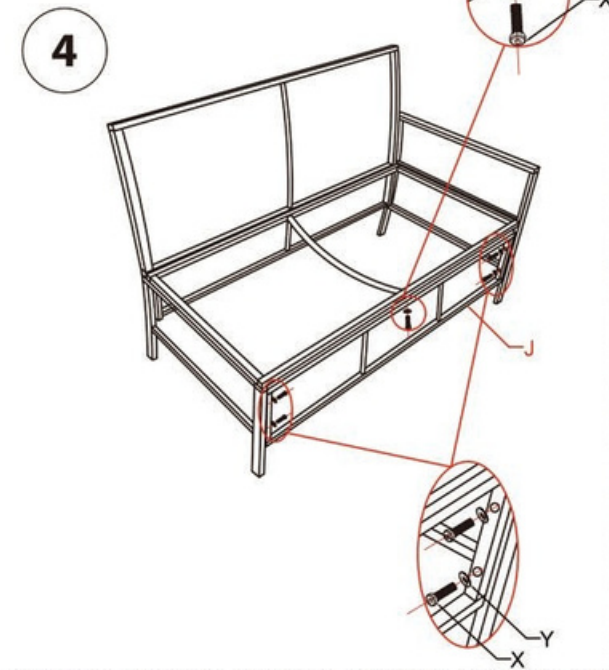
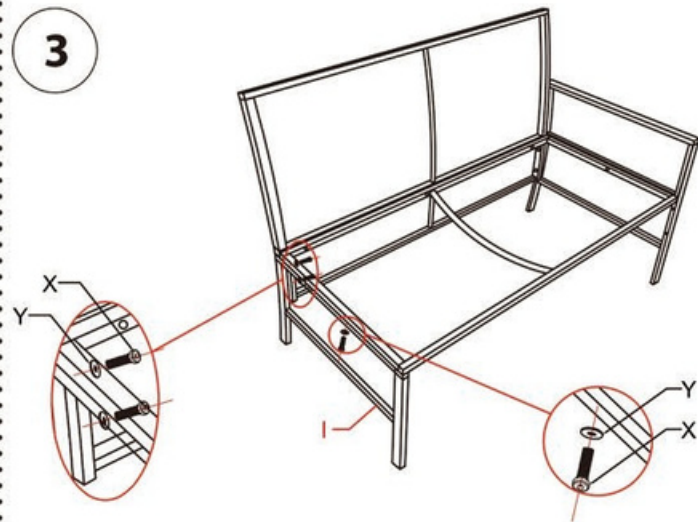
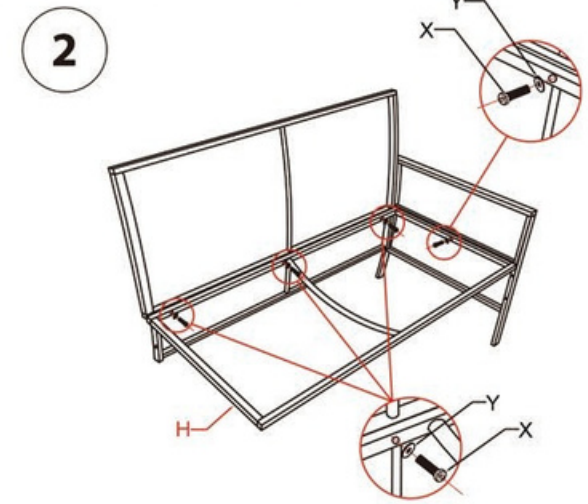
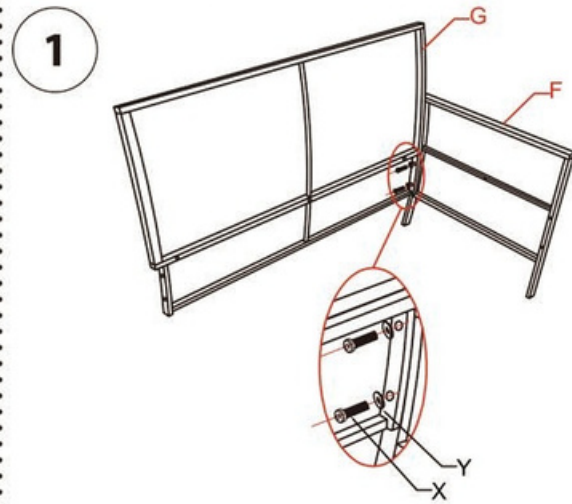
NO.	PART	QTY
P		1
Q		2
R		1
S		1
W	 M6x15	4
X	 M6x35	4
Y		8
A1		1











NO.	PART	QTY
A		1
B		1
C		1
D		1
E		1
X	 M6x35	14
Y		14



NO.	PART	QTY
F		1
G		1
H		1
I		1
J		1
X	 M6x35	14
Y		14



NO.	PART	QTY
K		1
L		1
M		1
N		1
O		1
X	 M6x35	13
X1	 M6x65	1
Y		14

