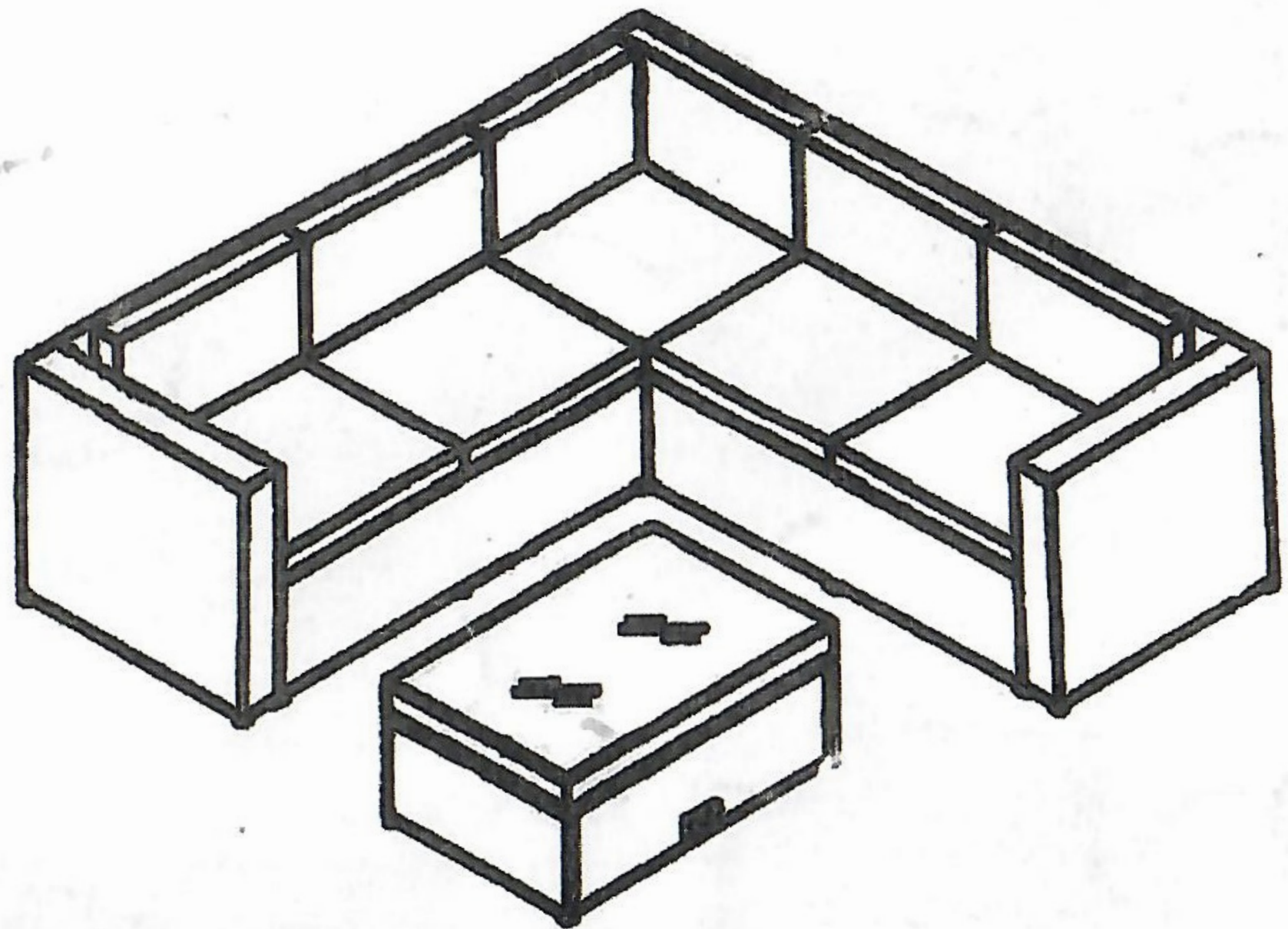
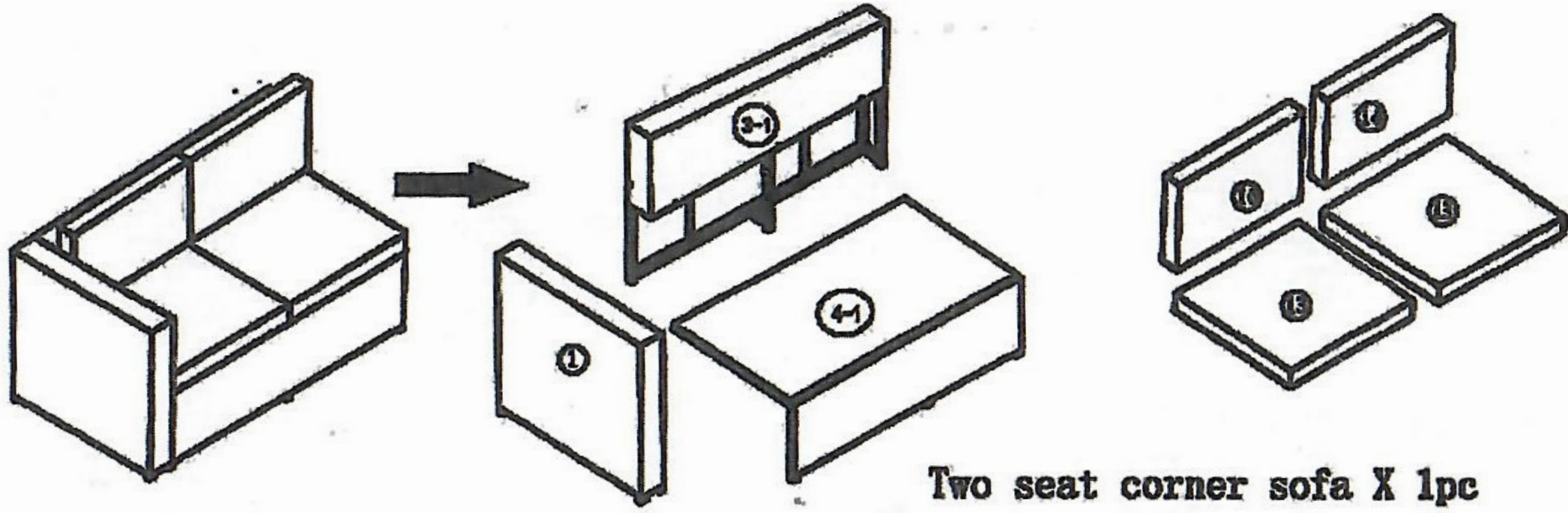


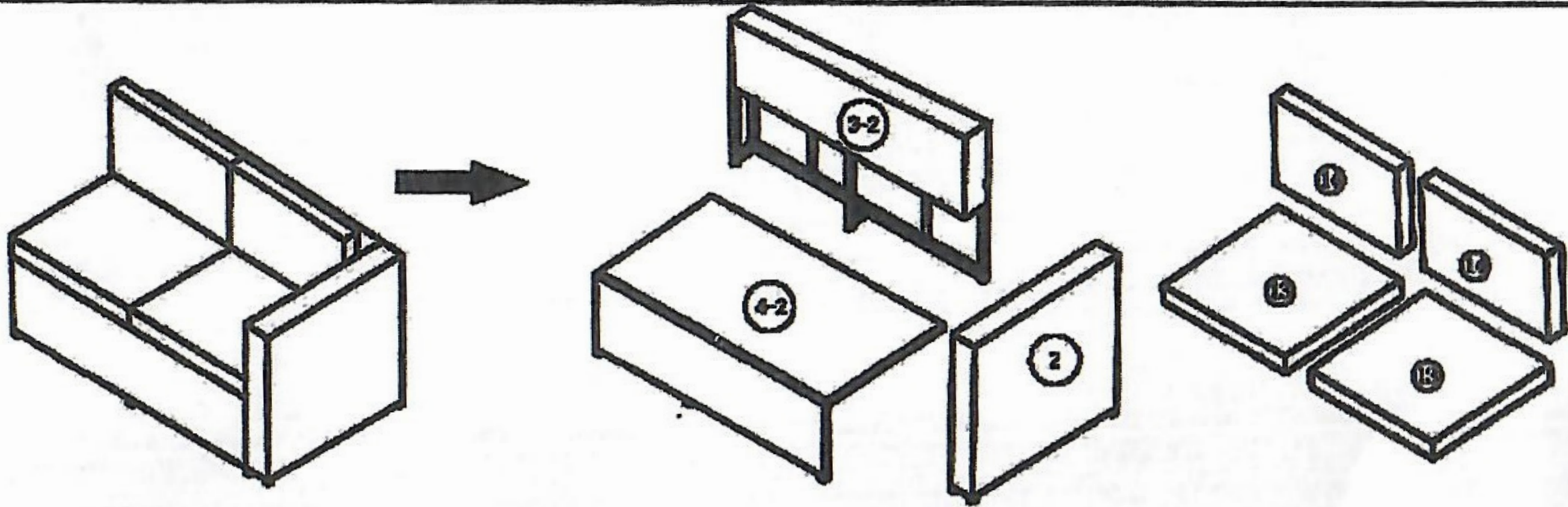
MONACO

Four Piece Sofa assembly manual

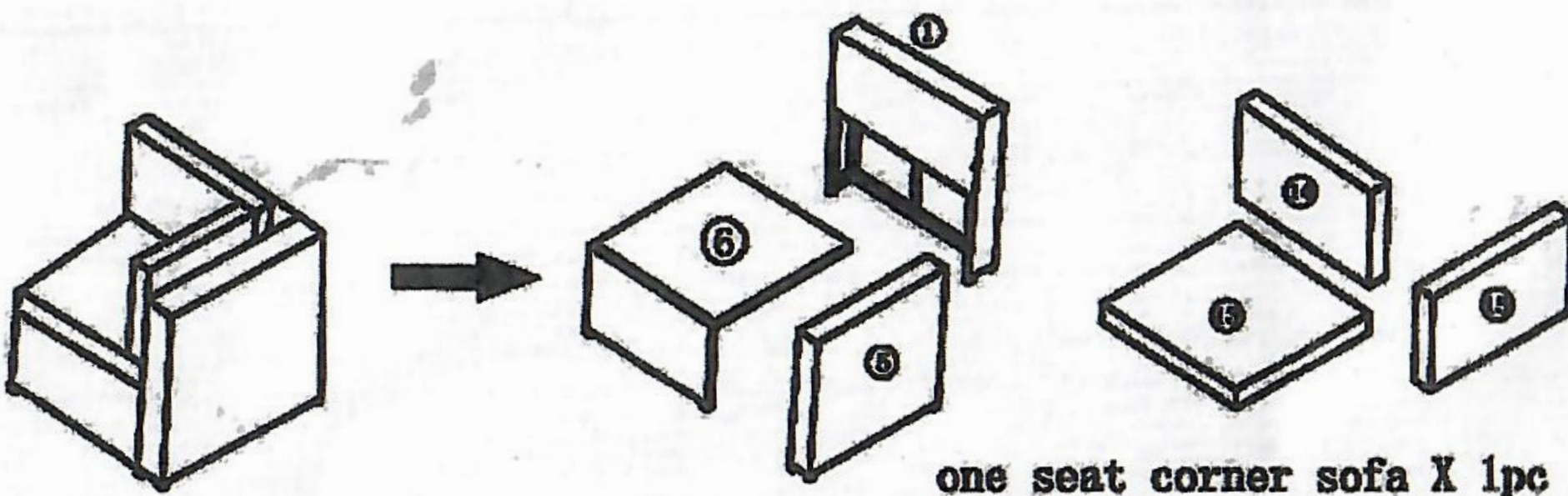




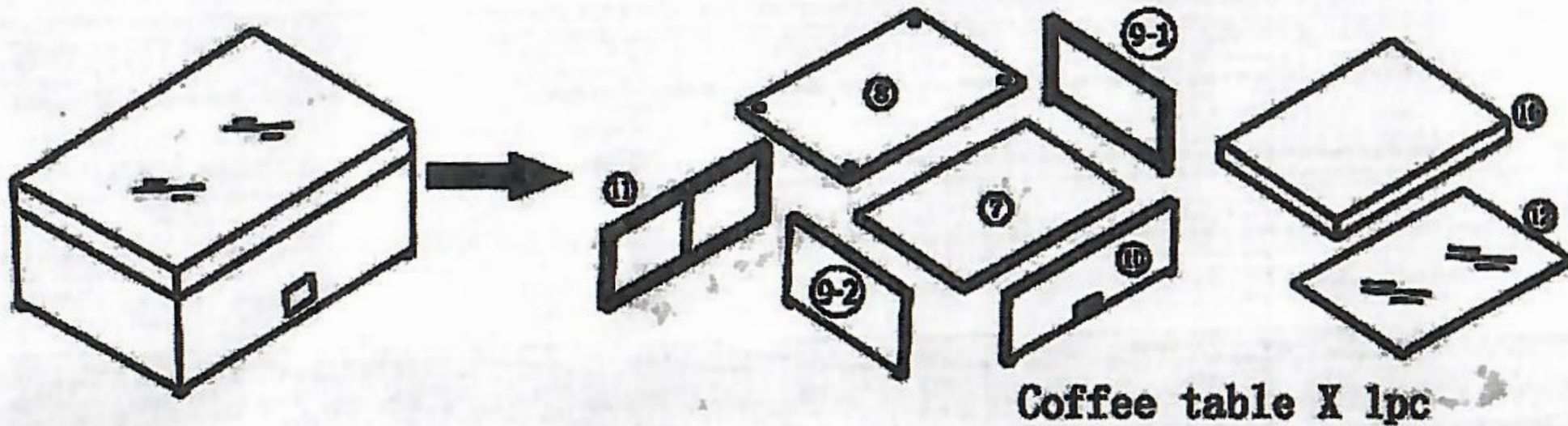
Two seat corner sofa X 1pc



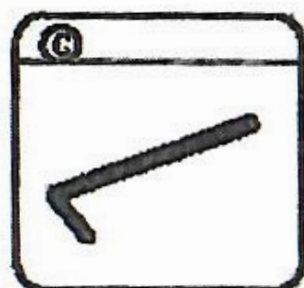
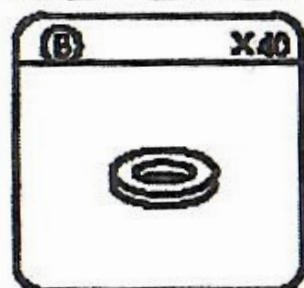
Two seat corner sofa X 1pc



one seat corner sofa X 1pc

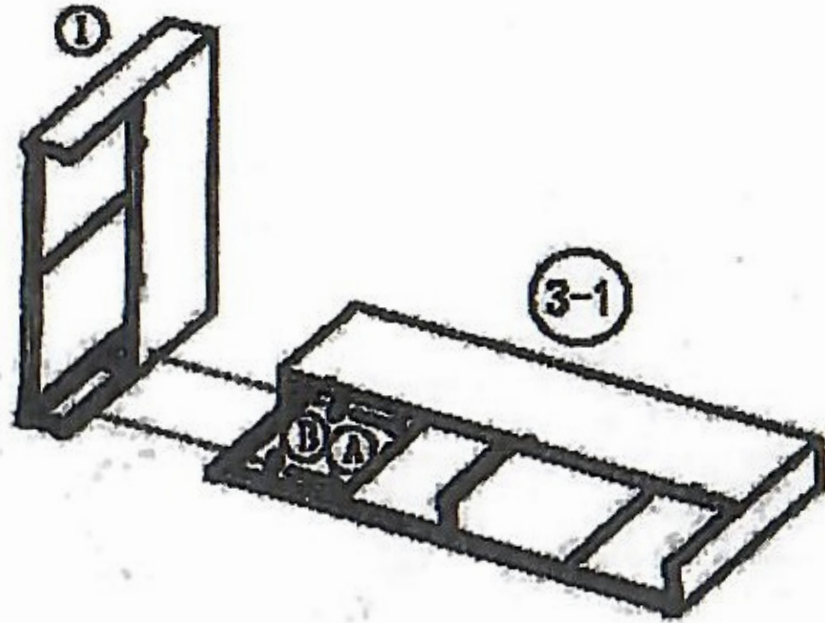


Coffee table X 1pc

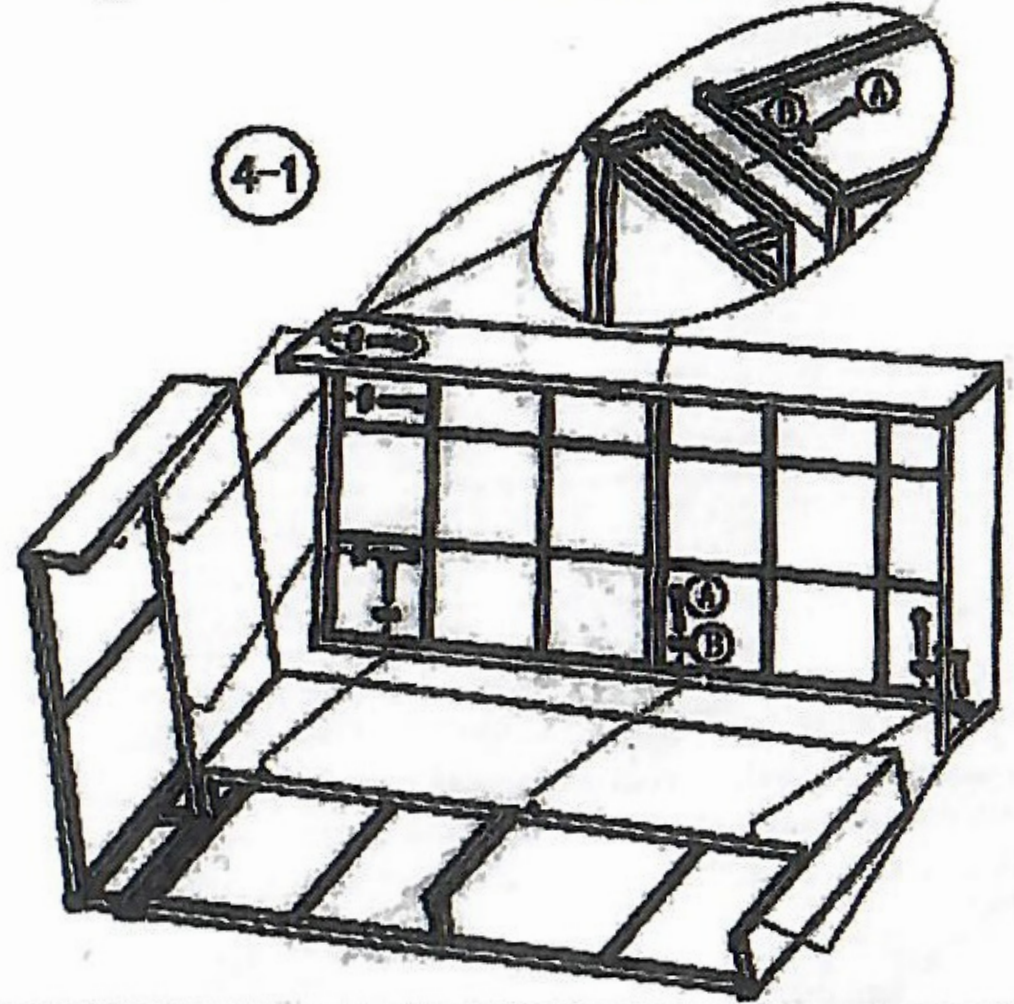


1	2 Pcs	5	1 Pc	10	1 Pc	16	1 Pc
2	1 Pc	6	1 Pc	11	1 Pc		
3-1	1 Pc	7	1 Pc	12	1 Pc		
3-2	1 Pc	8	1 Pc	13	5 Pcs		
4-1	1 Pc	9-1	1 Pc	14	5 Pcs		
4-2	1 Pc	9-2	1 Pc	15	1 Pc		
							1-6

Step 1. Two seat corner sofa 1pc

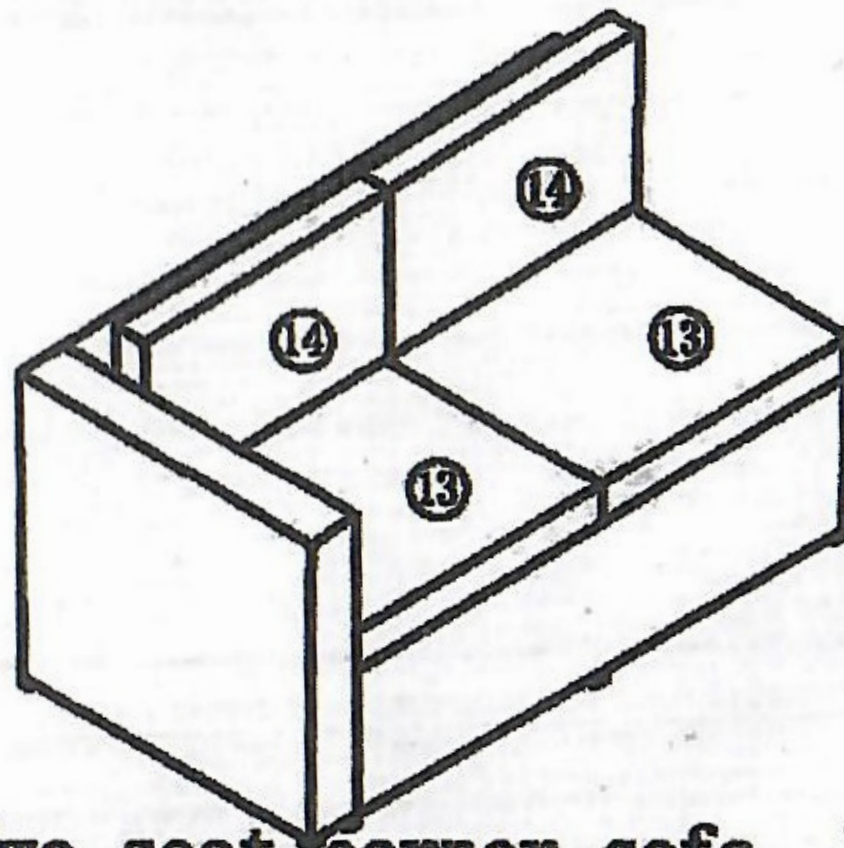


Step 2. Two seat corner sofa 1pc



Step 3. Two seat corner sofa 1pc

Completed unit



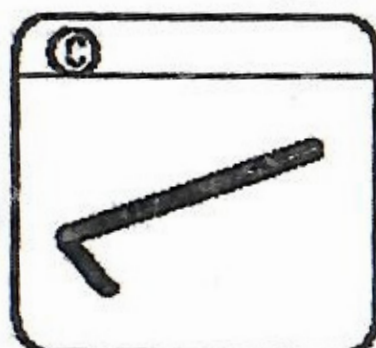
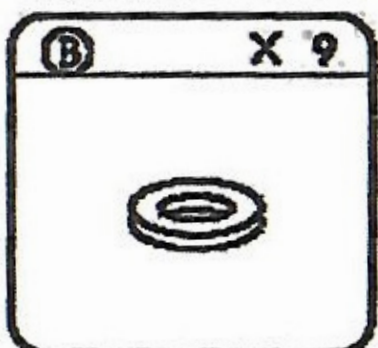
Two seat corner sofa 1pc

NOTICE !

When you assemble chairs and table,

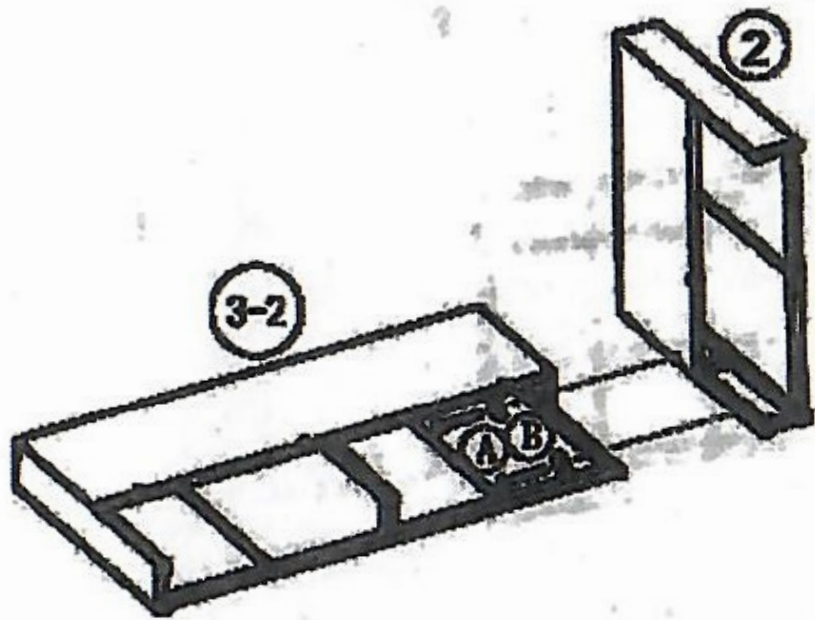
Step 1: Please install each screw in its hole in a loose position first;

Step 2: Then tighten all the screws to finally finish the installation.

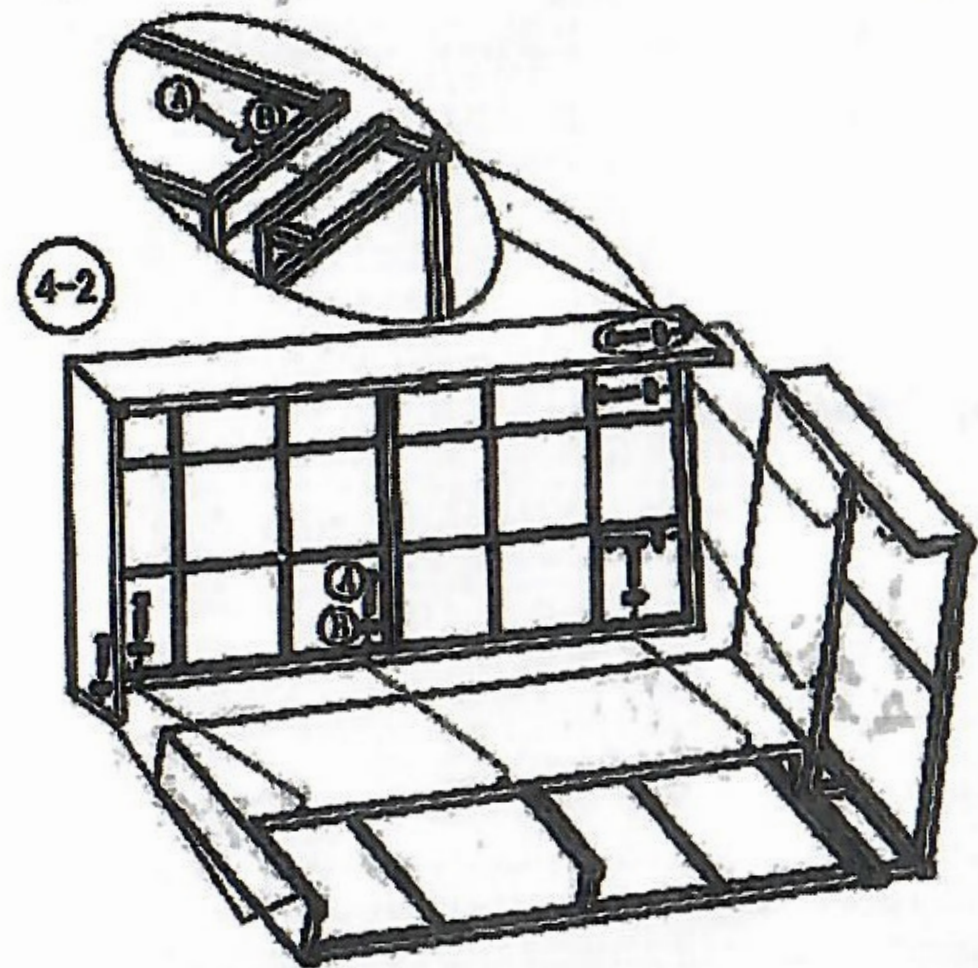


1	1 Pc
3-1	1 Pc
4-1	1 Pc
13	2 Pcs
14	2 Pcs

Step 1. Two seat corner sofa 1pc



Step 2. Two seat corner sofa 1pc



Step 3. Two seat corner sofa 1pc

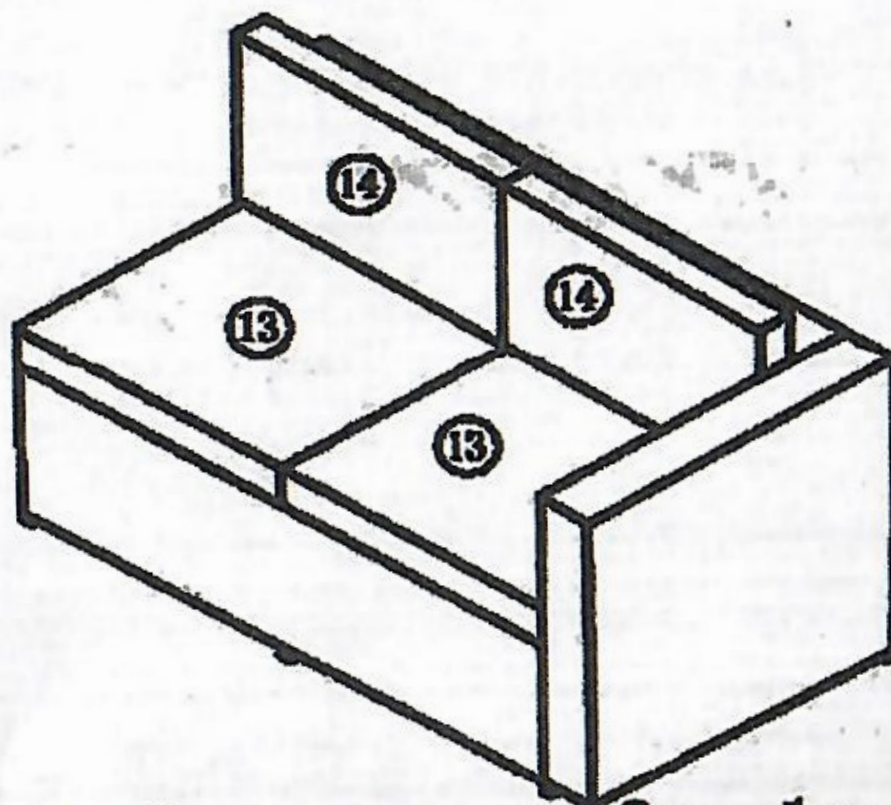
NOTICE !

When you assemble chairs and table,

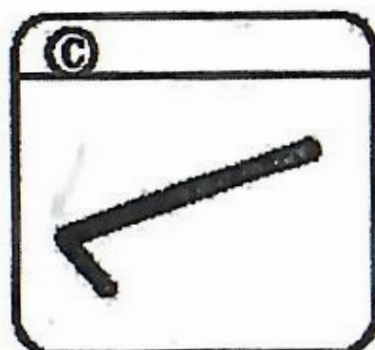
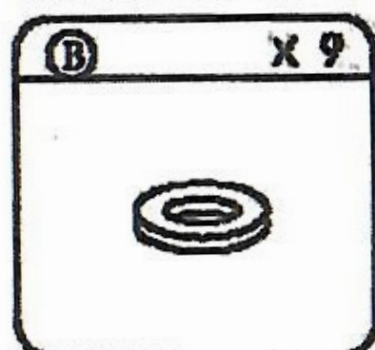
Step 1: Please install each screw in its hole in a loose position first;

Step 2: Then tighten all the screws to finally finish the installation.

Completed unit

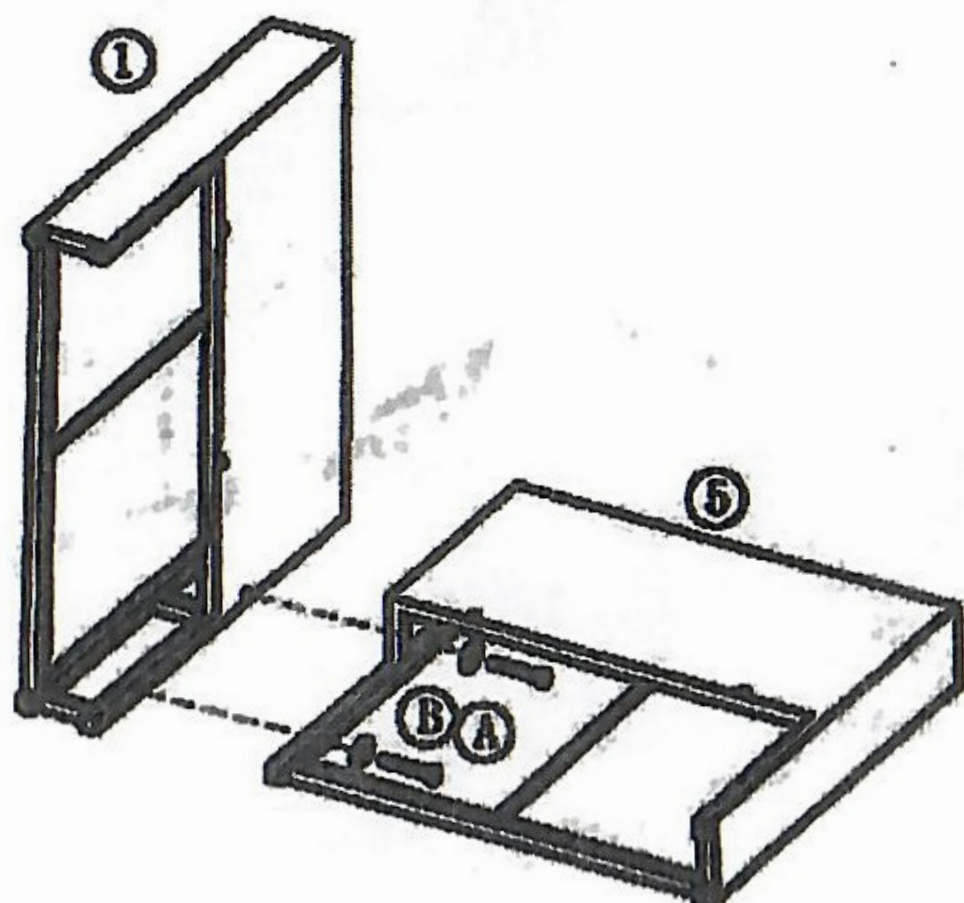


Two seat corner sofa 1pc

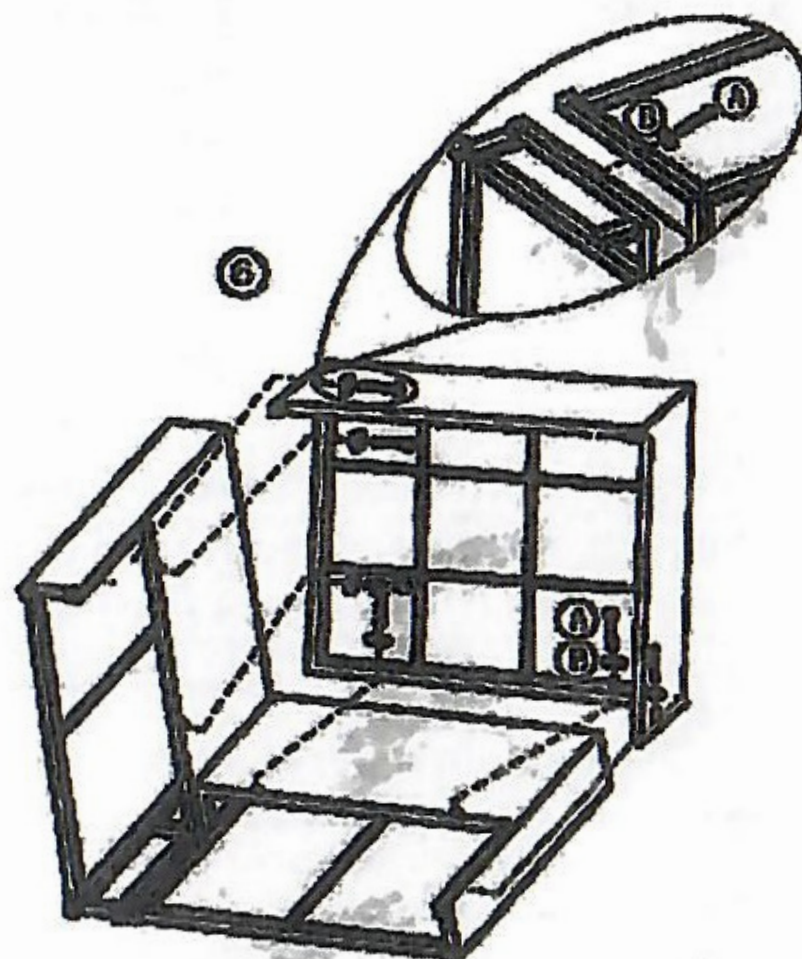


2	1 Pc
3-2	1 Pc
4-2	1 Pc
13	2 Pcs
14	2 Pcs

Step 1. One seat corner sofa 1pc



Step 2. One seat corner sofa 1pc



Step 3. One seat corner sofa 1pc

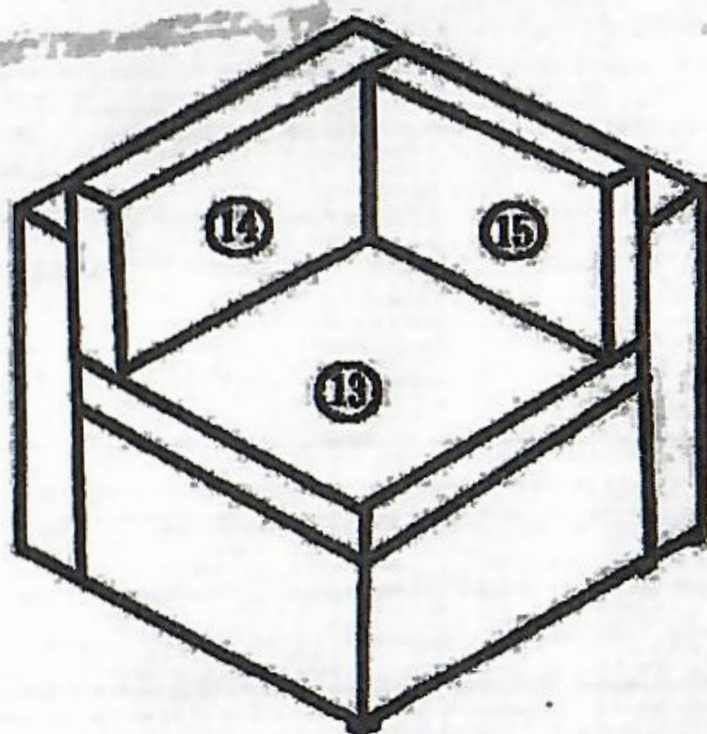
NOTICE!

When you assemble chairs and table,

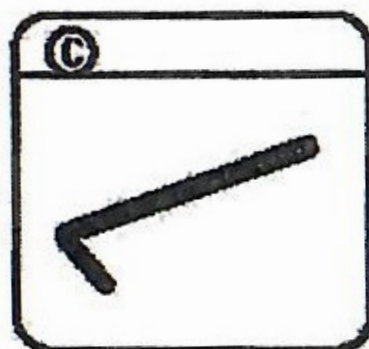
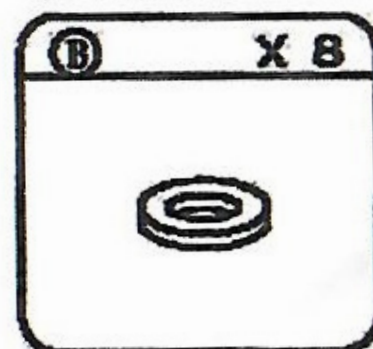
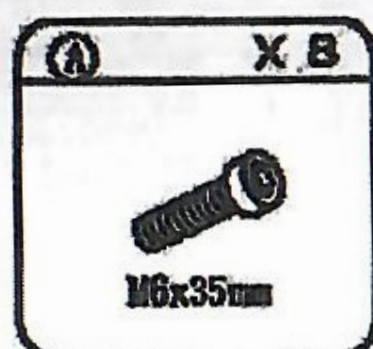
Step 1: Please install each screw in its hole in a loose position first;

Step 2: Then tighten all the screws to finally finish the installation.

Completed unit



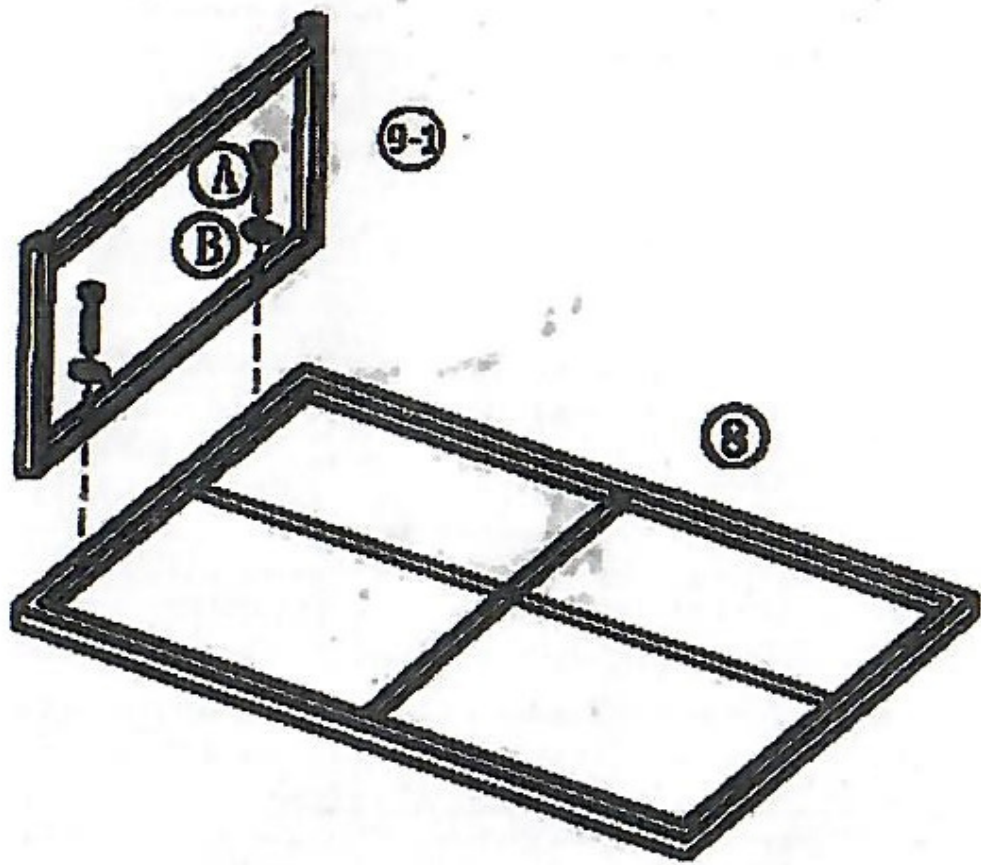
One seat corner sofa 1pc



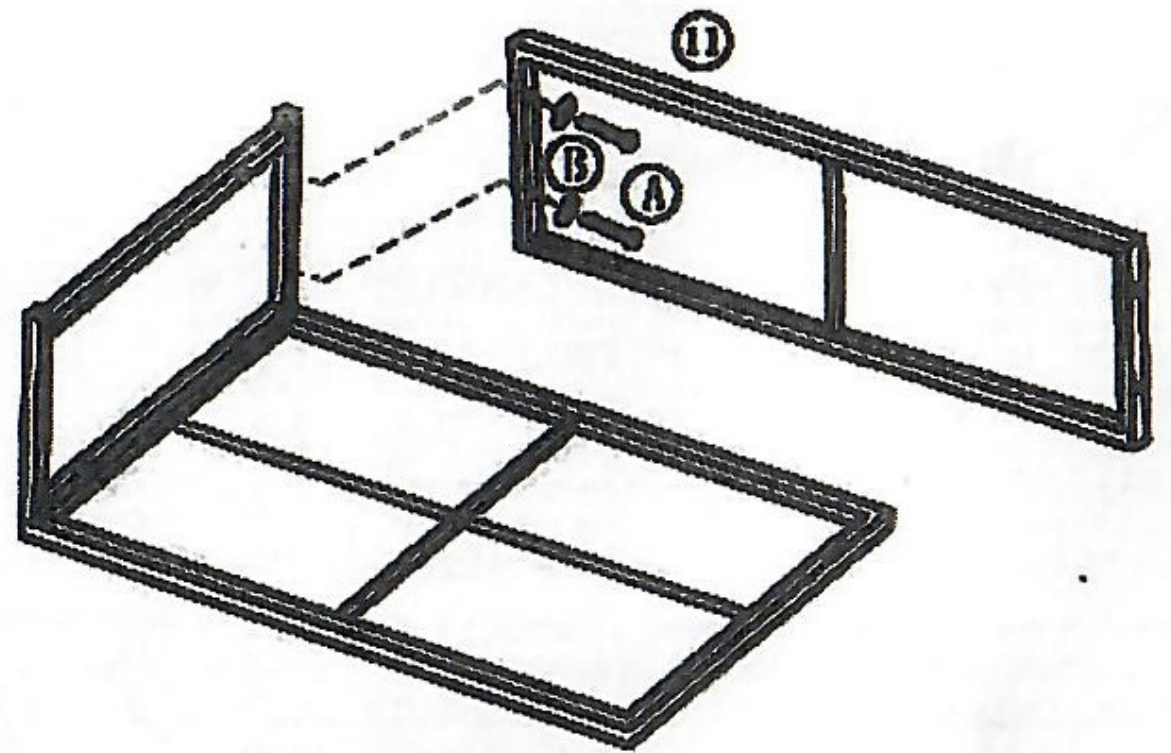
1	1 Pc
5	1 Pc
6	1 Pc

13	1 Pc
14	1 Pc
15	1 Pc

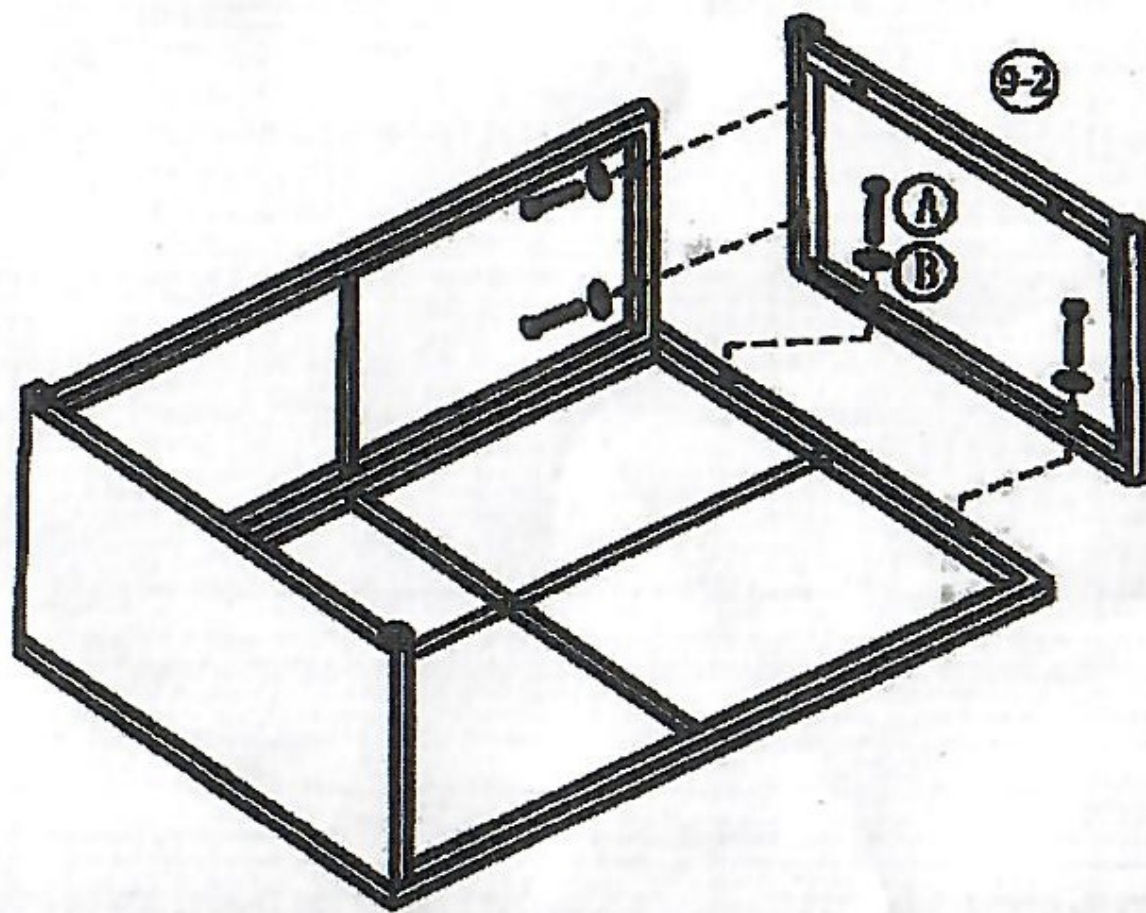
Step 1. Coffee table 1pc



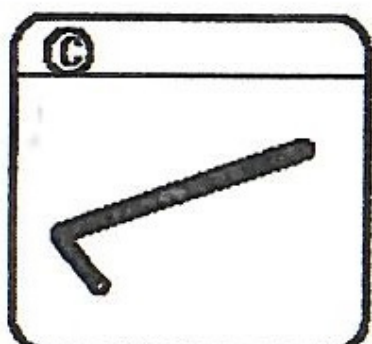
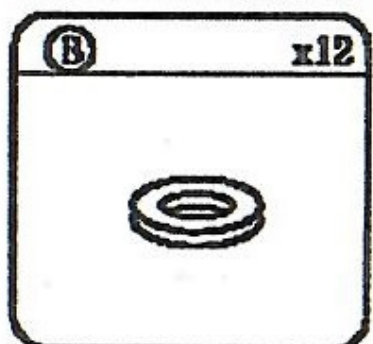
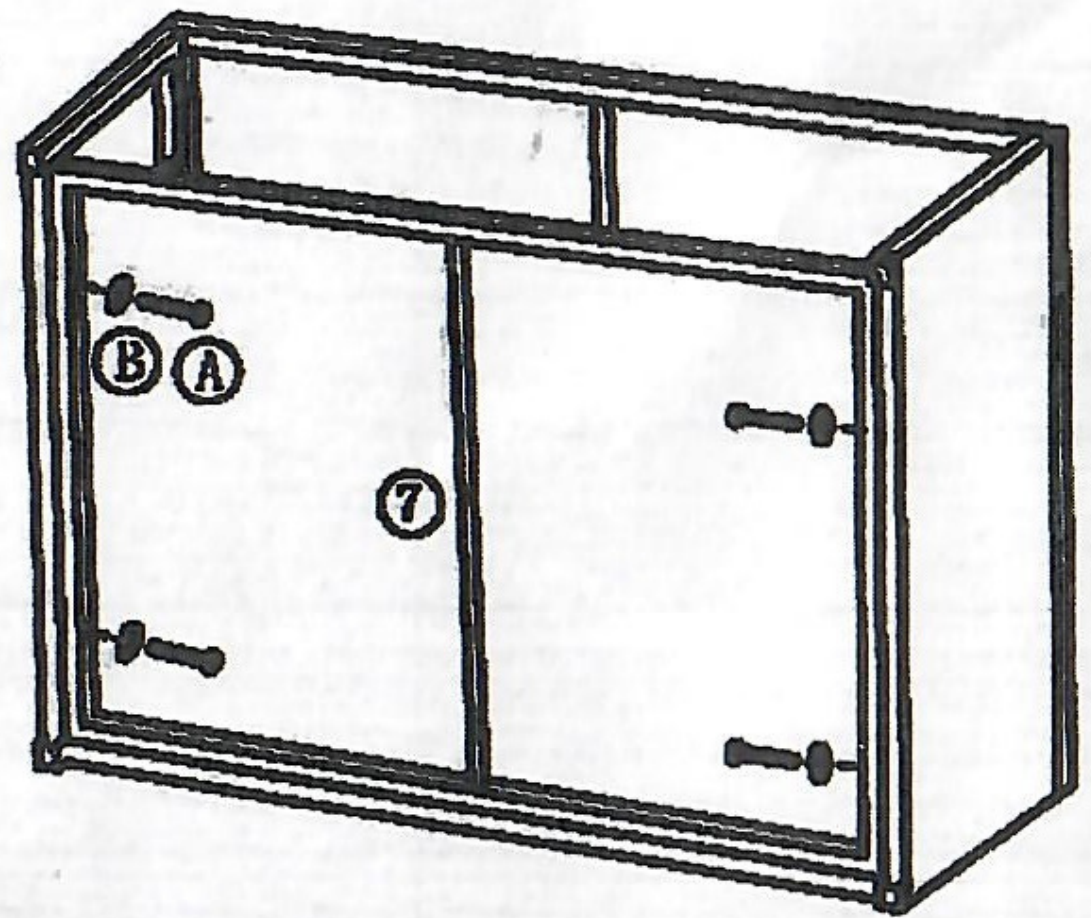
Step 2. Coffee table 1pc



Step 3. Coffee table 1pc



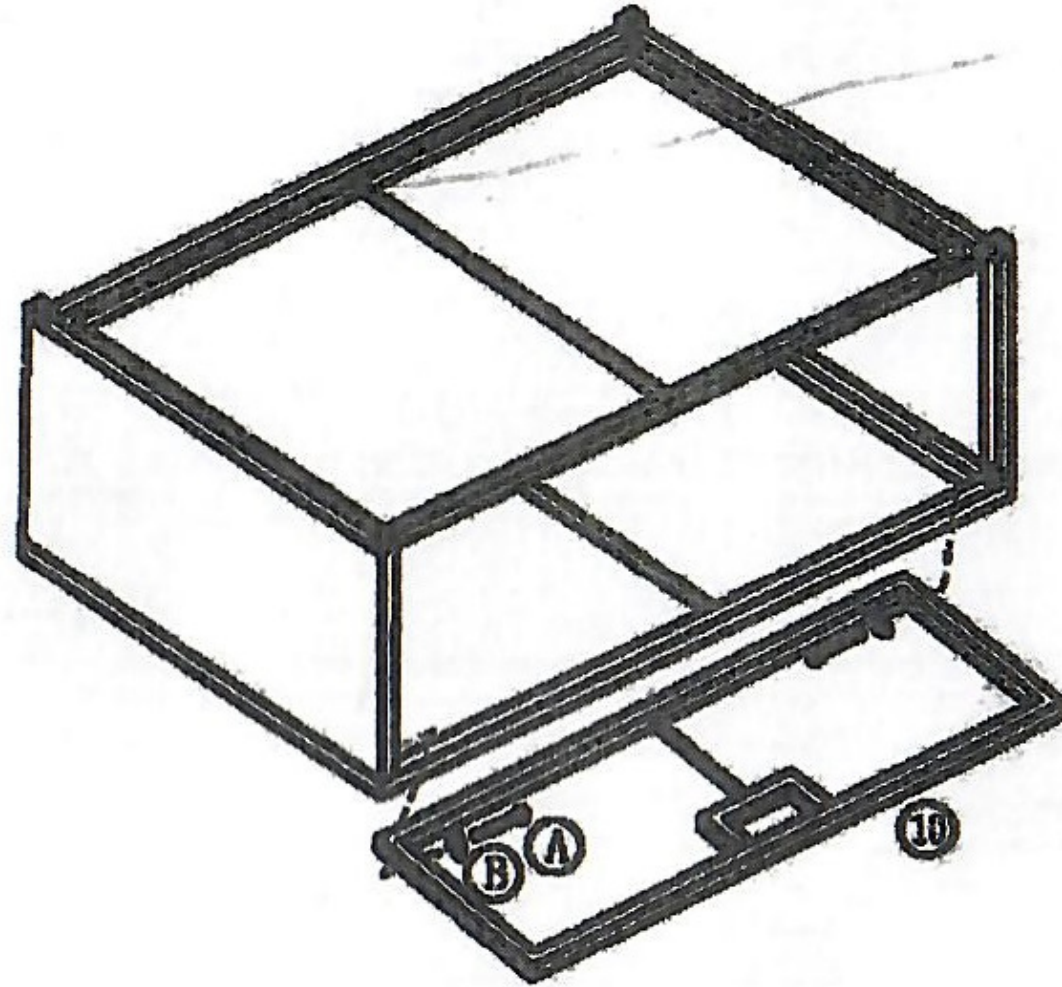
Step 4. Coffee table 1pc



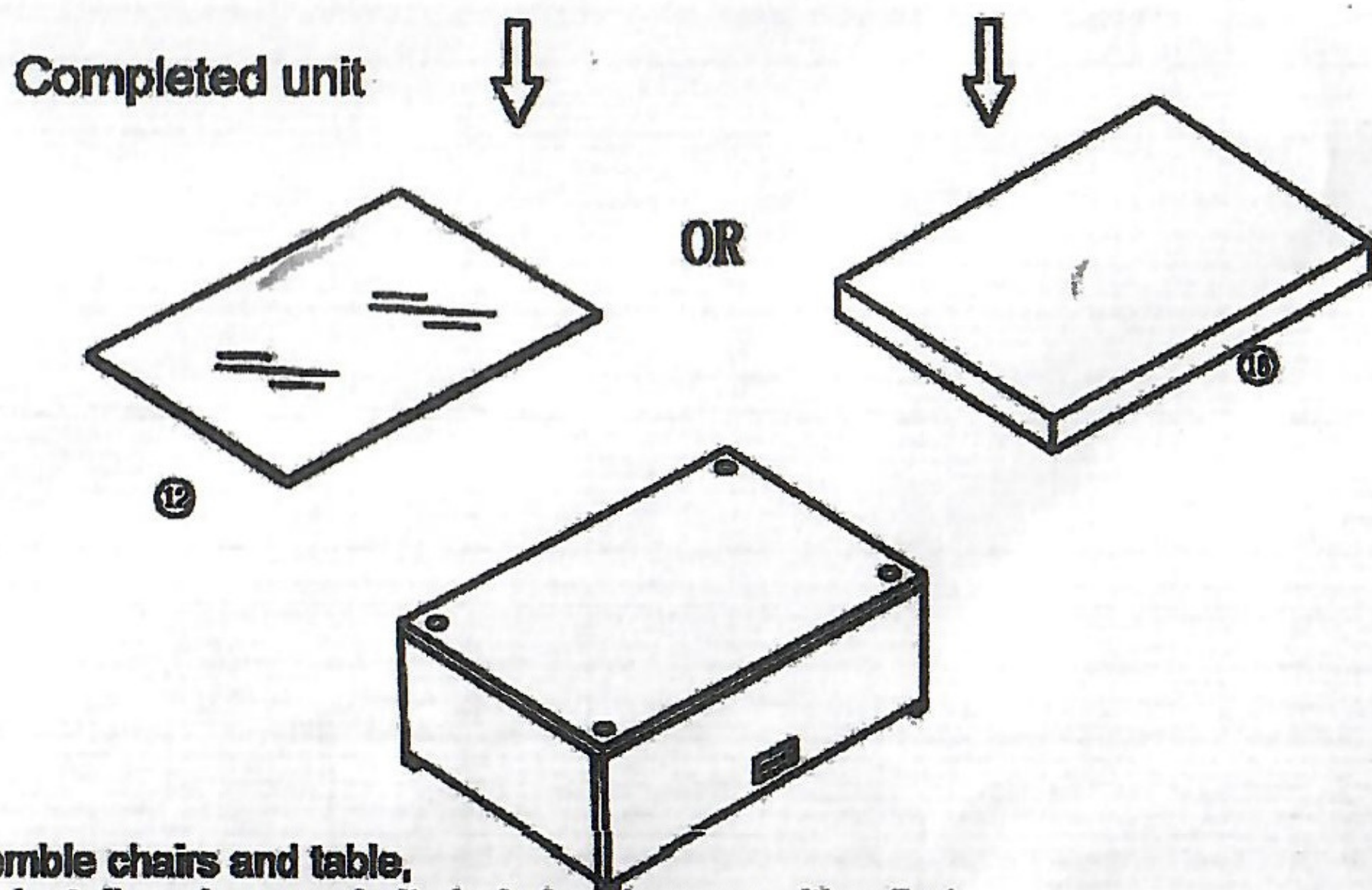
7	1 Pc
8	1 Pc
9-1	1 Pc
9-2	1 Pc

11	1 Pc
----	------

Step 5. Coffee table 1pc



Step 6. Coffee table 1pc

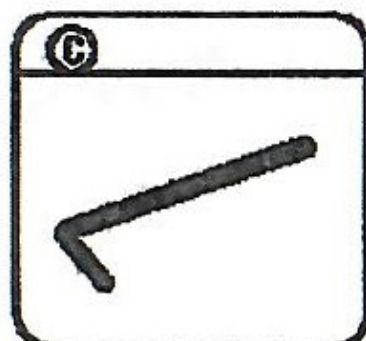
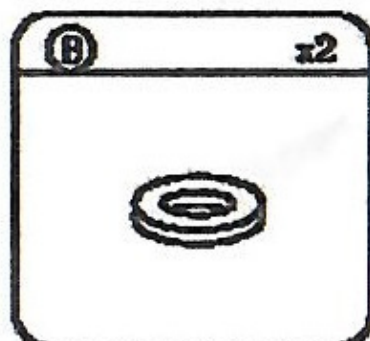
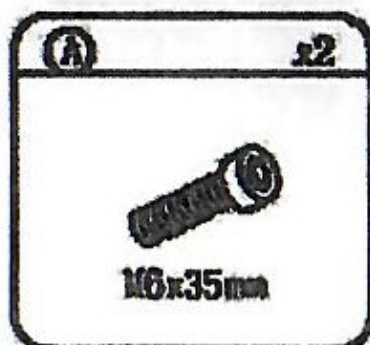


NOTICE!

When you assemble chairs and table,

Step 1: Please install each screw in its hole in a loose position first;

Step 2: Then tighten all the screws to finally finish the installation.



10	1 Pc
12	1 Pc
16	1 Pc