

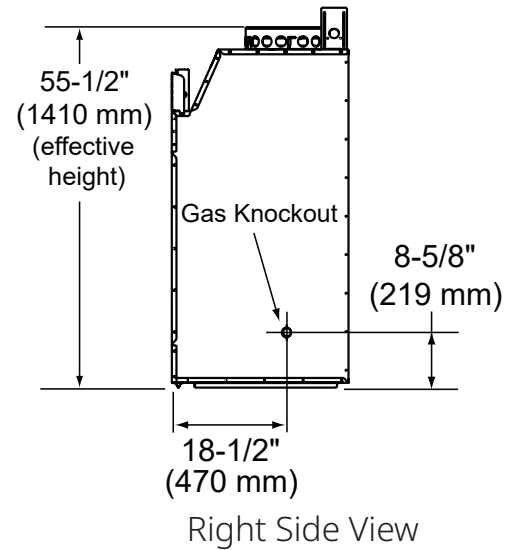
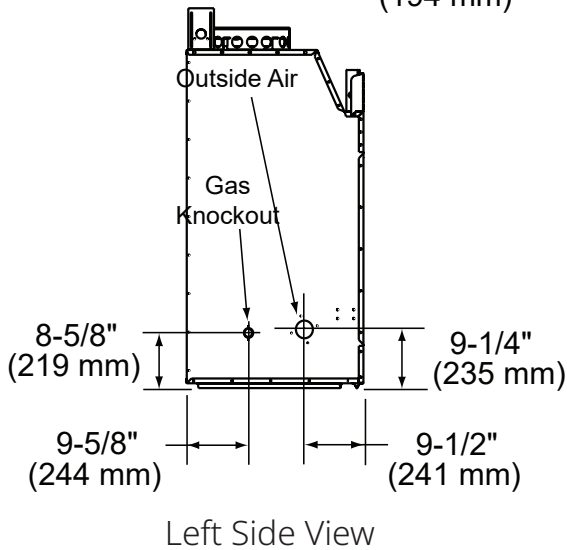
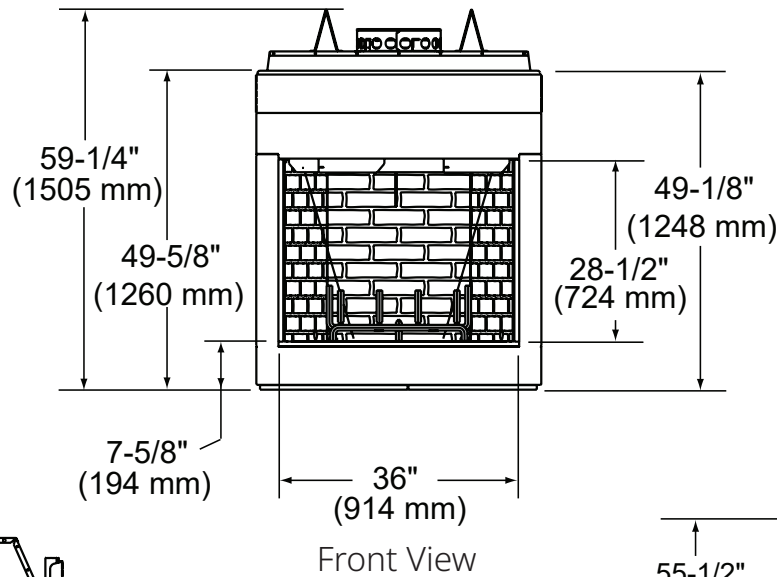
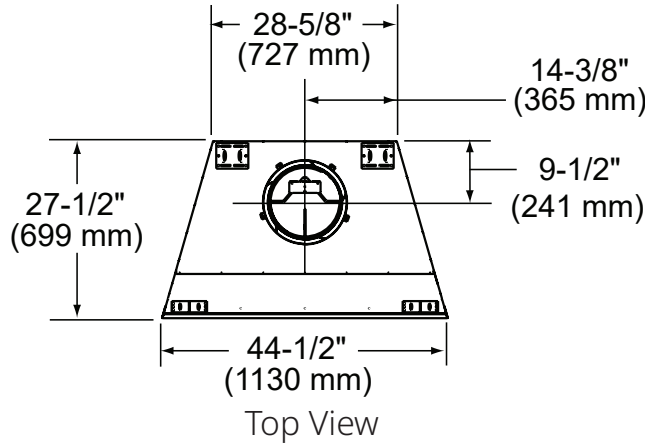


Please consult the manufacturer's installation manual for all details and requirements before making a final design layout decision.

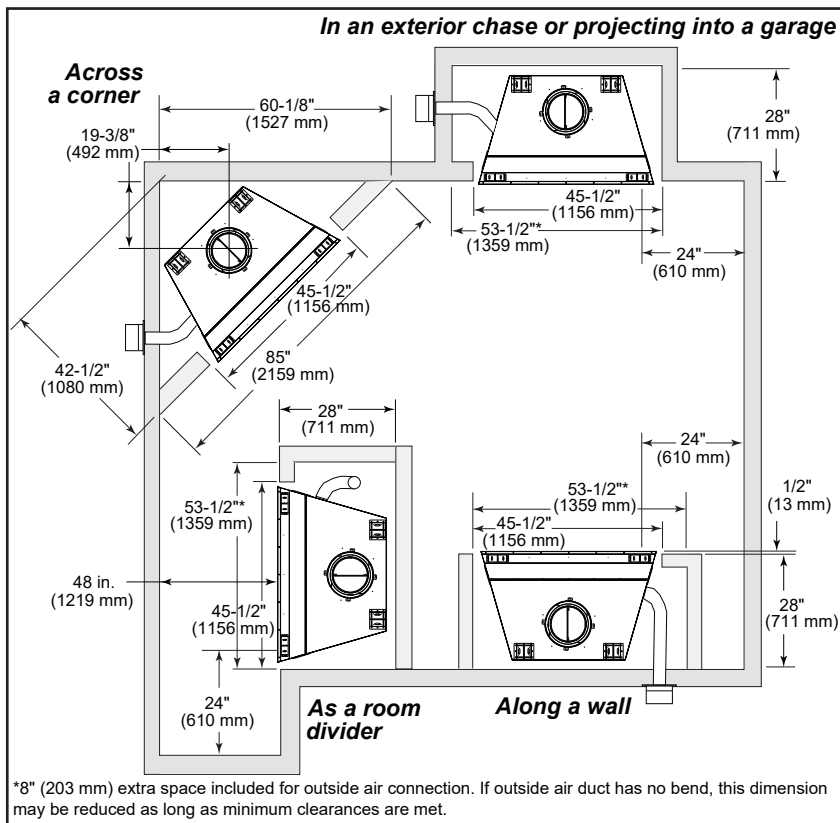
# Cottagewood

36" Outdoor Wood Fireplace

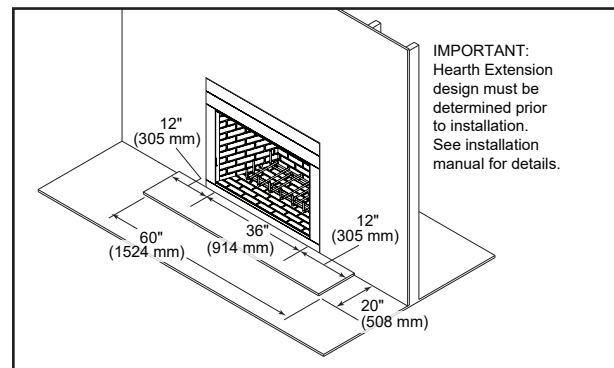
MODEL	FRONT WIDTH		BACK WIDTH		HEIGHT		DEPTH		FIREBOX OPENING
	Actual	Framing	Actual	Framing	Actual	Framing	Actual	Framing	
ODCTGWD-36 ODCTGWD-36H	44-1/2"	45-1/2"	28-5/8"	45-1/2"	59-1/4"	59-3/4"	27-1/2"	28"	36" x 28-1/2"



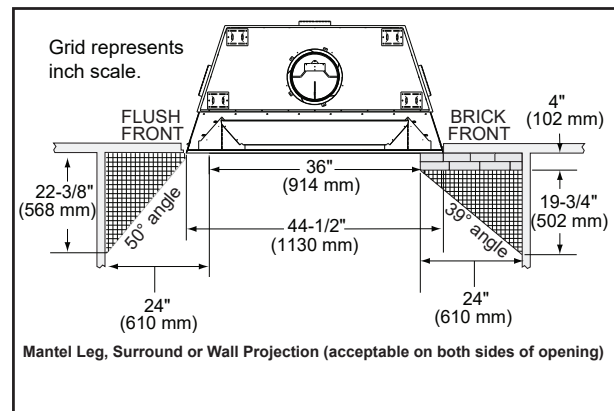
APPLIANCE LOCATION



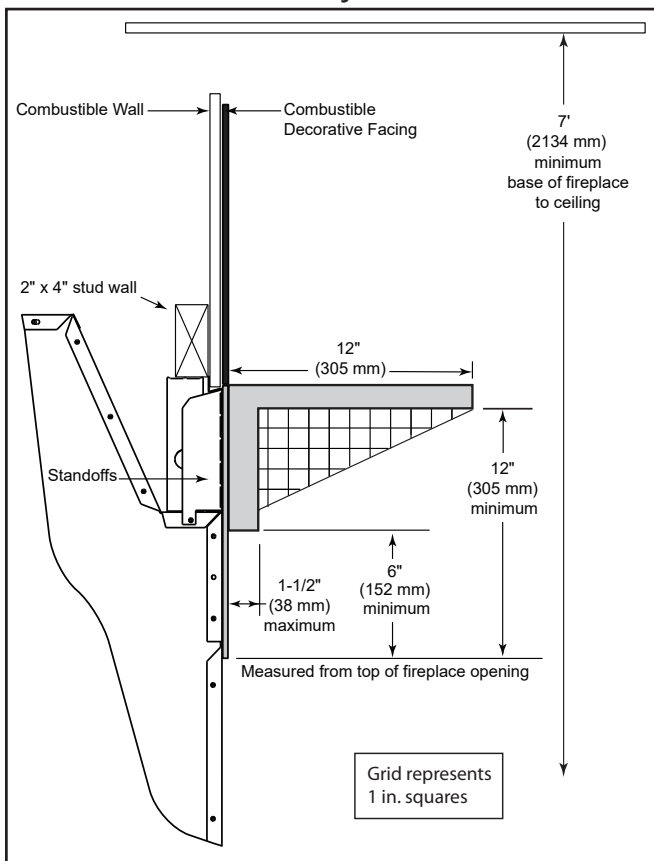
HEARTH EXTENSION



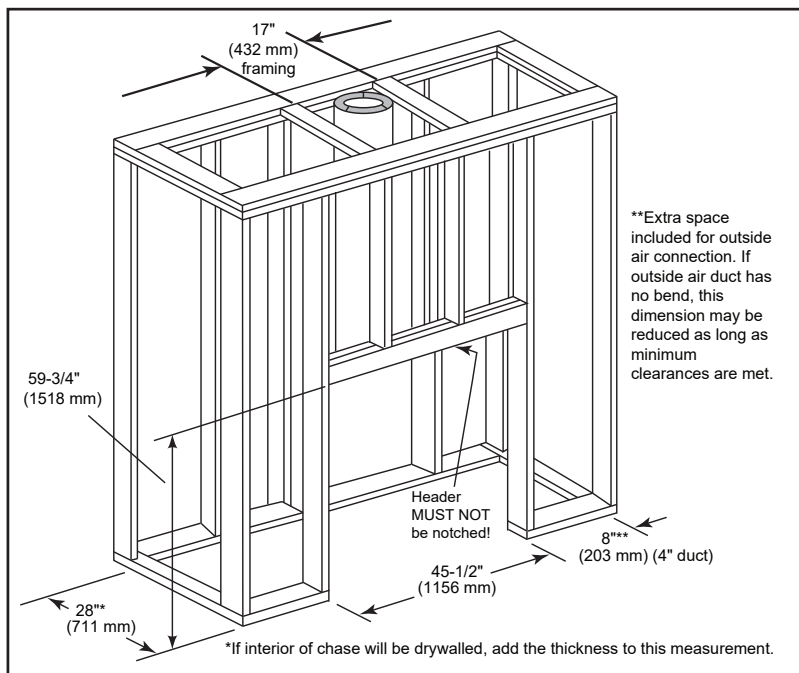
SIDEWALLS/SURROUNDS



MANTEL AND WALL PROJECTIONS



FRAMING DIMENSIONS



PRODUCT LISTING CODES	
US	UL127
CAN	ULC-S610-M87

Product information provided is not complete and is subject to change without notice. Product installation must adhere strictly to instructions accompanying product to avoid risk of fire and potential injury.

Additional information can be found online at [www.fireplaces.com](http://www.fireplaces.com)