

# MARQUIS

# Peak

Peak 1 600mm centre basin

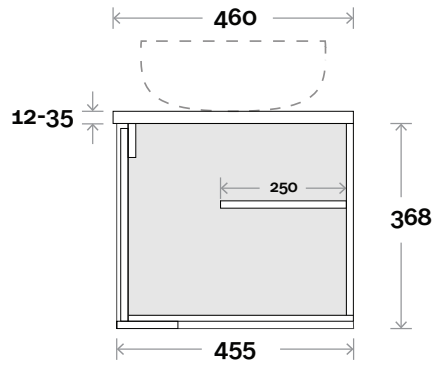
**Top Thickness**  
Caesarstone: 20mm  
Dekton: 12mm  
Symphony: 20mm  
Timber: 30-35mm  
(Above counter only)

**Note:**  
• Waste centre: 300mm std

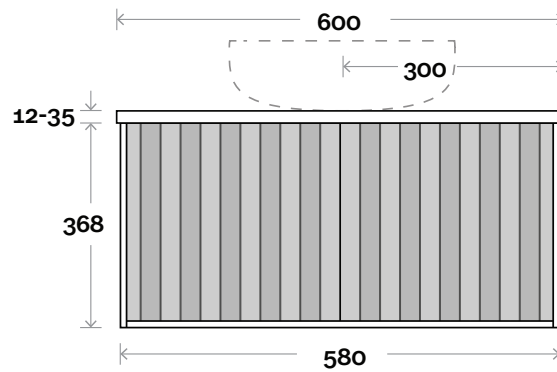


**Plumbing allowance**

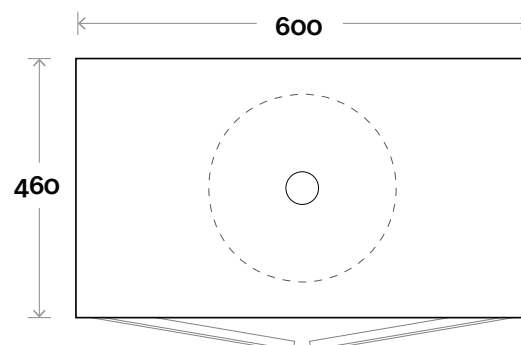
## Profile



## Configuration



## Plan



# MARQUIS

# Peak

Peak 2 750mm centre basin

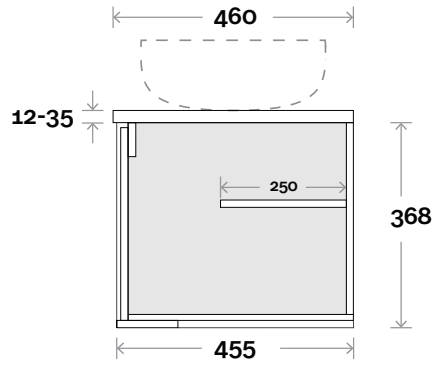
**Top Thickness**  
Caesarstone: 20mm  
Dekton: 12mm  
Symphony: 20mm  
Timber: 30-35mm  
(Above counter only)

**Note:**  
• Waste centre: 375mm std

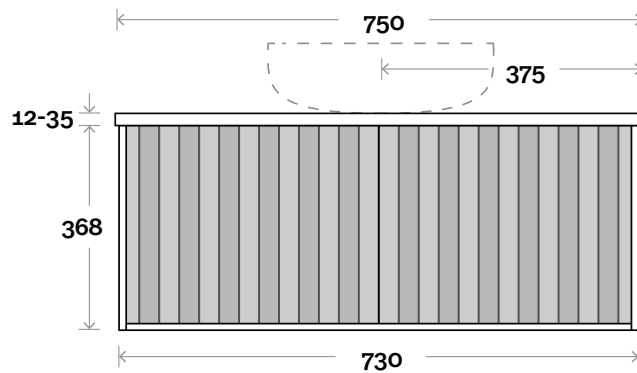


**Plumbing allowance**

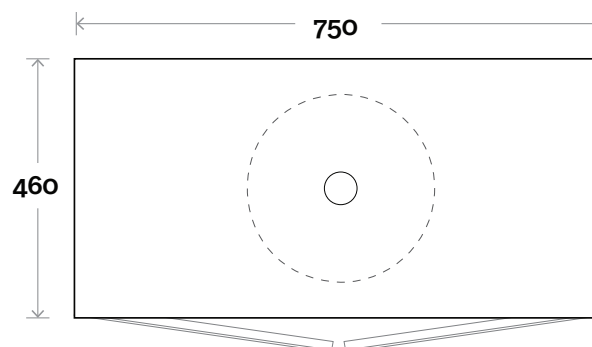
## Profile



## Configuration



## Plan



# MARQUIS

# Peak

Peak 3 900mm centre basin

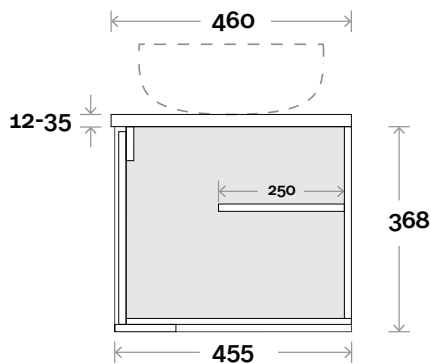
**Top Thickness**  
Caesarstone: 20mm  
Dekton: 12mm  
Symphony: 20mm  
Timber: 30-35mm  
(Above counter only)

**Note:**

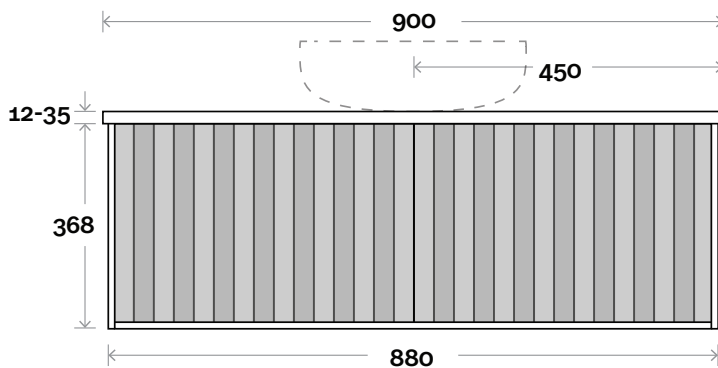
• Waste centre: 450mm std

 Plumbing allowance

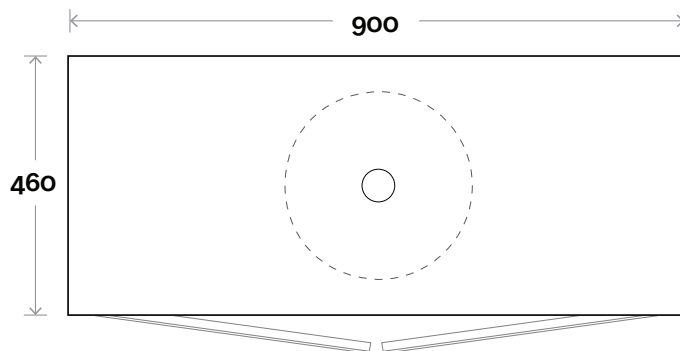
## Profile



## Configuration



## Plan



All measurements are in 'mm' and are approximate and to be used as a guide only. Installation preparations are not recommended without product onsite.

# MARQUIS

# Peak

Peak 4 900mm off centre basin

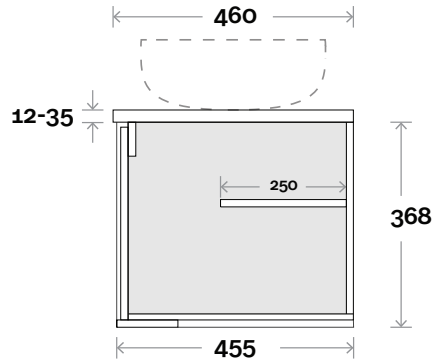
**Top Thickness**  
Caesarstone: 20mm  
Dekton: 12mm  
Symphony: 20mm  
Timber: 30-35mm  
(Above counter only)

**Note:**  
• Waste centre: 300mm std  
• Left or Right hand Basin

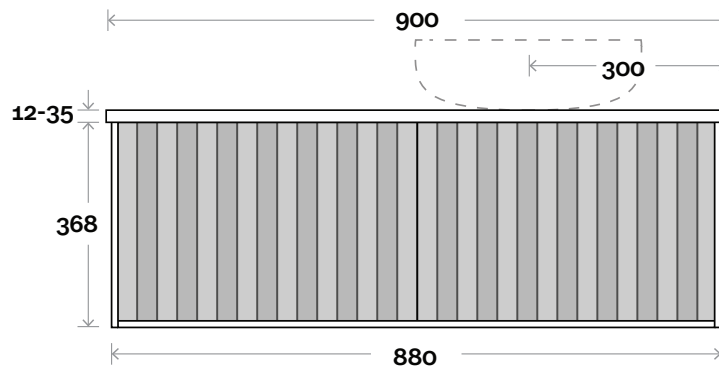


**Plumbing allowance**

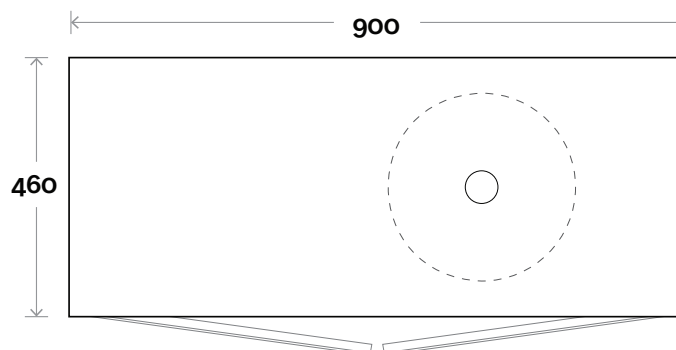
## Profile



## Configuration



## Plan



# MARQUIS

# Peak

Peak 5 1200mm centre basin

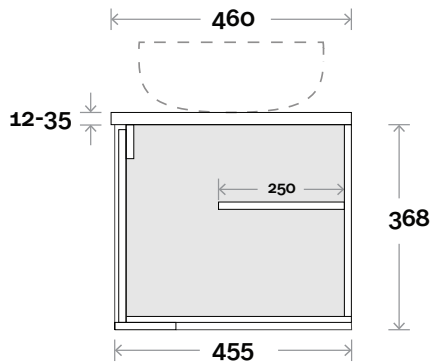
**Top Thickness**  
Caesarstone: 20mm  
Dekton: 12mm  
Symphony: 20mm  
Timber: 30-35mm  
(Above counter only)

**Note:**

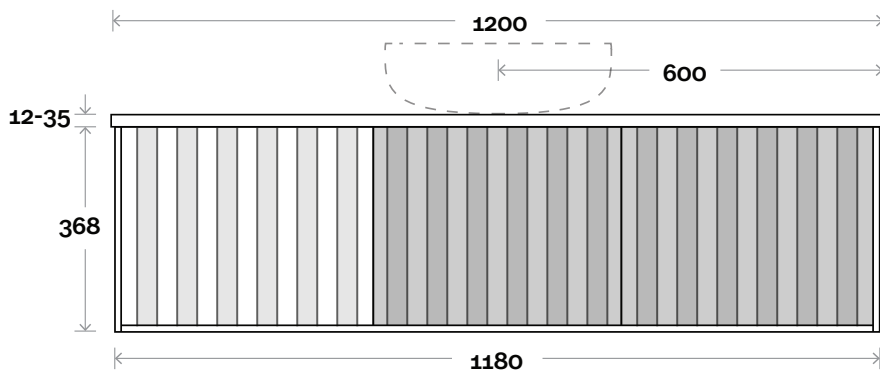
• Waste centre: 600mm std

 Plumbing allowance

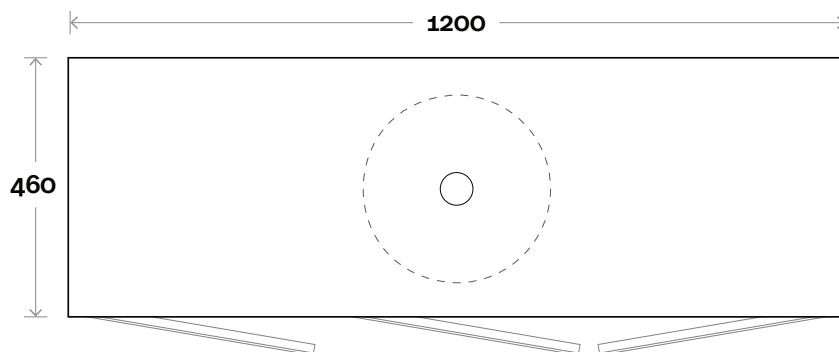
## Profile



## Configuration



## Plan



All measurements are in 'mm' and are approximate and to be used as a guide only. Installation preparations are not recommended without product onsite.

# MARQUIS

# Peak

Peak 6 1200mm off centre basin

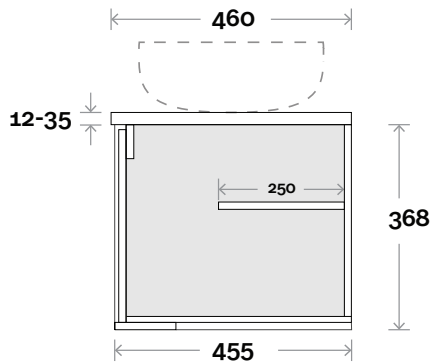
**Top Thickness**  
Caesarstone: 20mm  
Dekton: 12mm  
Symphony: 20mm  
Timber: 30-35mm  
(Above counter only)

**Note:**  
• Waste centre: 300mm std  
• Left or Right hand Basin

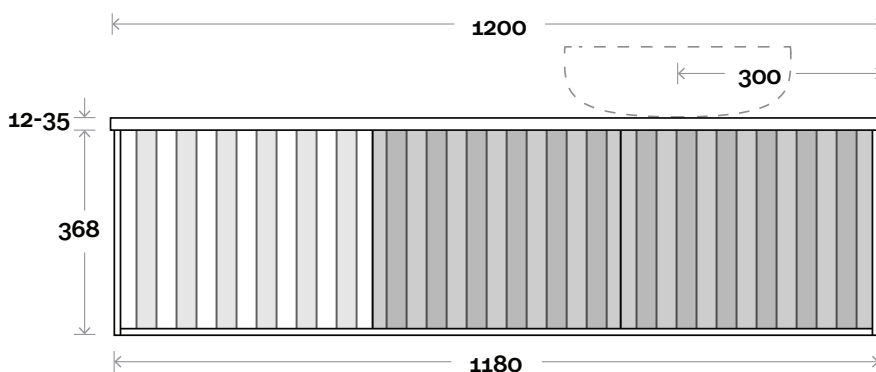


Plumbing allowance

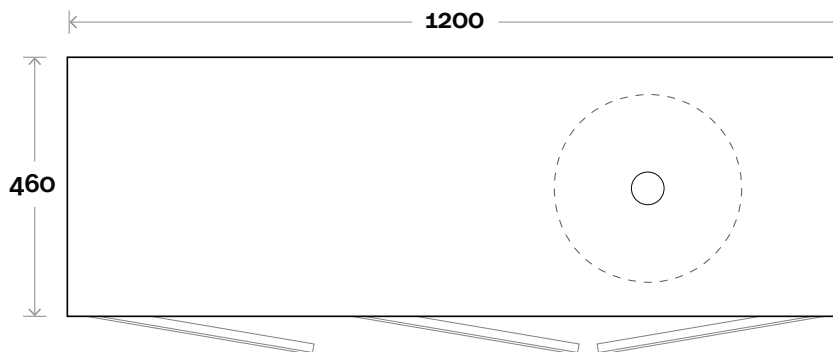
## Profile



## Configuration



## Plan



All measurements are in 'mm' and are approximate and to be used as a guide only. Installation preparations are not recommended without product onsite.

# MARQUIS

# Peak

Peak 7 1500mm off centre basin

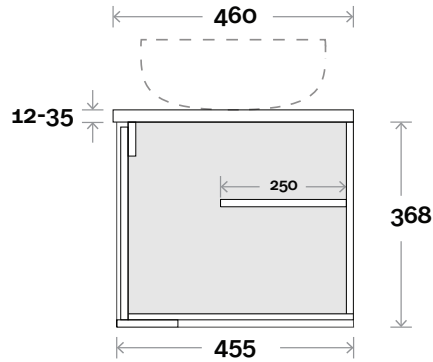
**Top Thickness**  
Caesarstone: 20mm  
Dekton: 12mm  
Symphony: 20mm  
Timber: 30-35mm  
(Above counter only)

**Note:**  
• Waste centre: 375mm std  
• Left or Right hand Basin

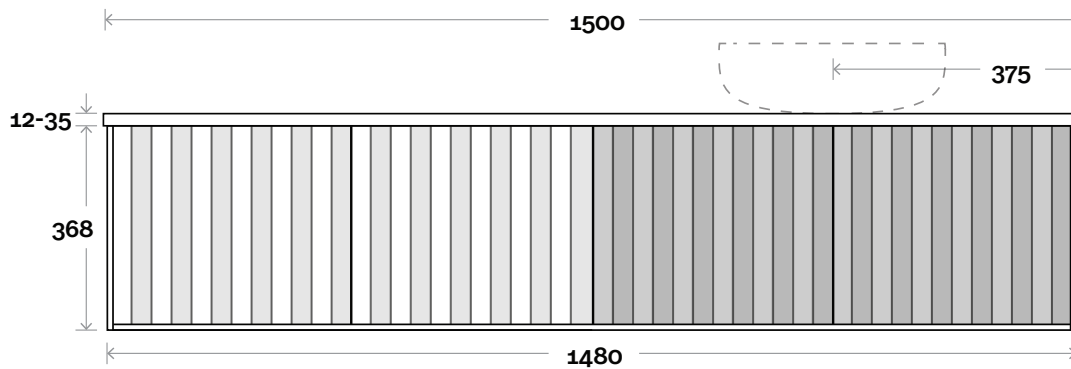


**Plumbing allowance**

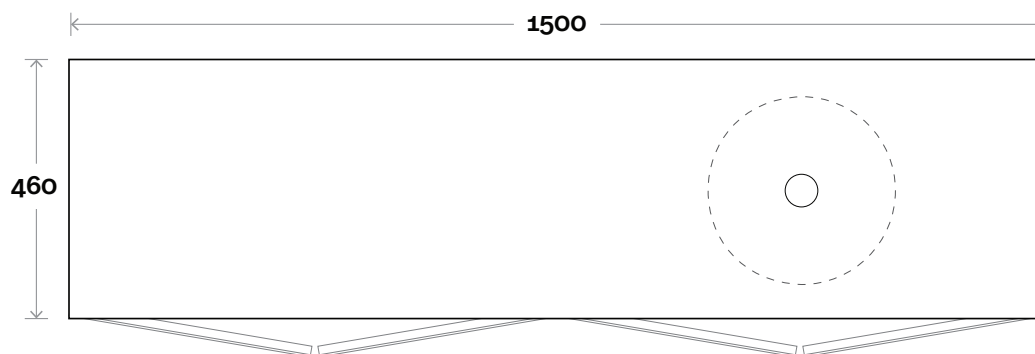
## Profile



## Configuration



## Plan



All measurements are in 'mm' and are approximate and to be used as a guide only. Installation preparations are not recommended without product onsite.

# MARQUIS

# Peak

Peak 8 1500mm double basin

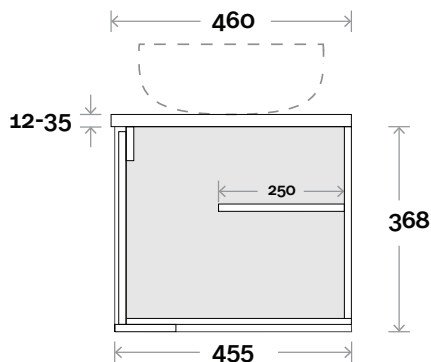
**Top Thickness**  
Caesarstone: 20mm  
Dekton: 12mm  
Symphony: 20mm  
Timber: 30-35mm  
(Above counter only)

**Note:**  
• Waste centre: 375mm std

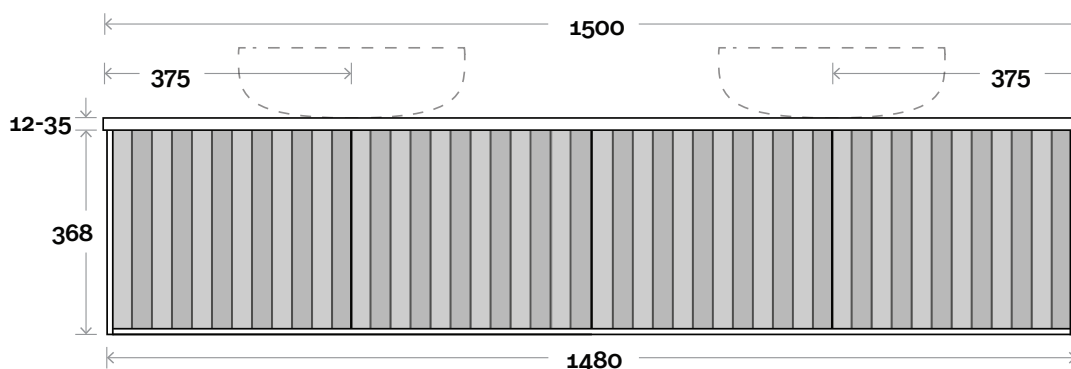


Plumbing allowance

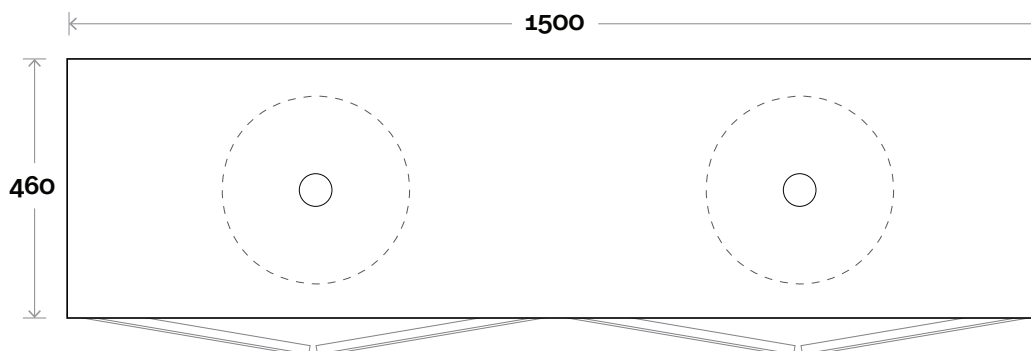
## Profile



## Configuration



## Plan





# MARQUIS

# Peak

Peak 9 1800mm off centre basin

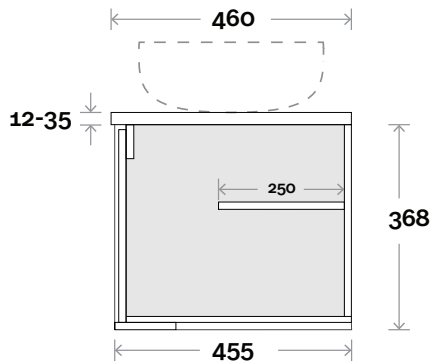
**Top Thickness**  
Caesarstone: 20mm  
Dekton: 12mm  
Symphony: 20mm  
Timber: 30-35mm  
(Above counter only)

**Note:**  
• Waste centre: 450mm std  
• Left or Right hand Basin

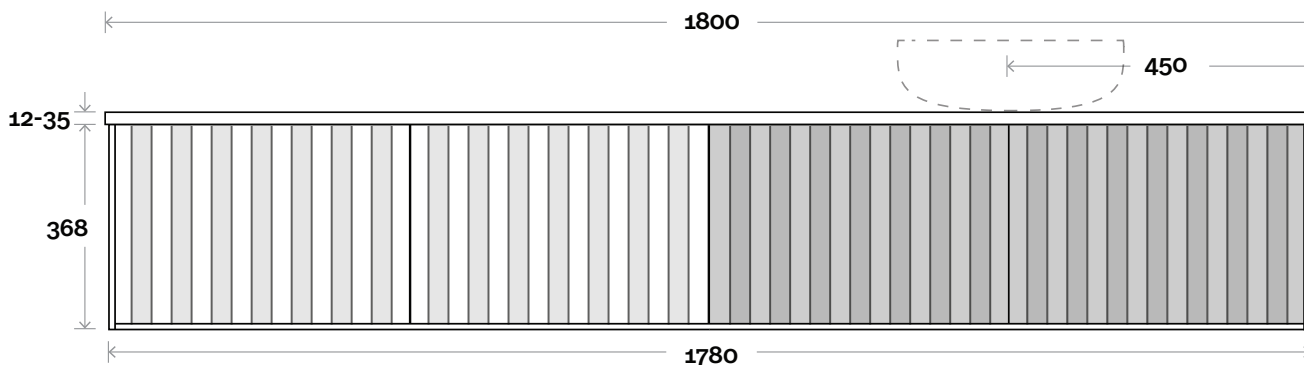


Plumbing allowance

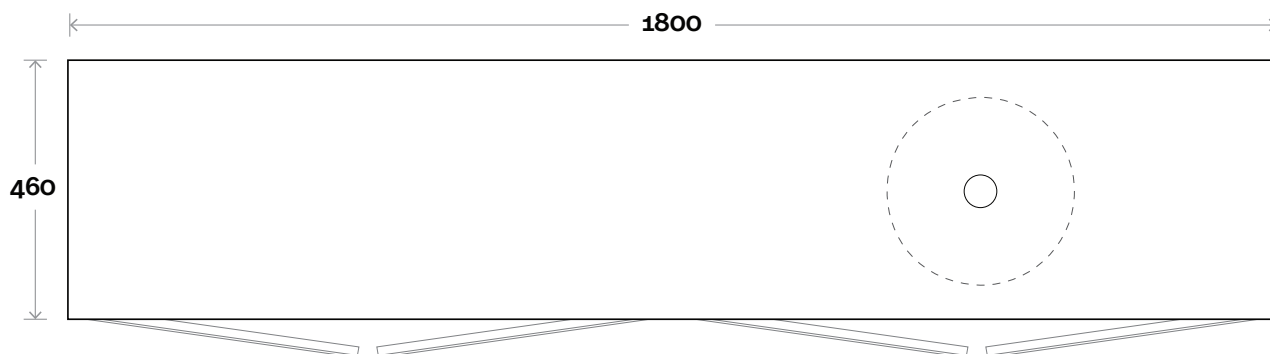
## Profile



## Configuration



## Plan



All measurements are in 'mm' and are approximate and to be used as a guide only. Installation preparations are not recommended without product onsite.

# MARQUIS

# Peak

Peak 10 1800mm double basin

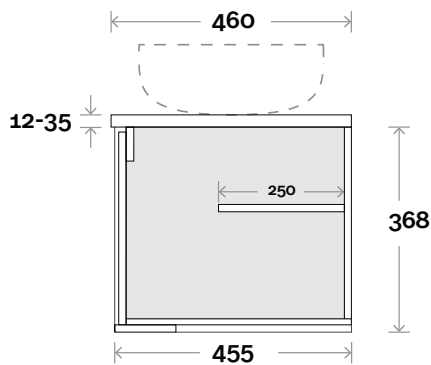
**Top Thickness**  
Caesarstone: 20mm  
Dekton: 12mm  
Symphony: 20mm  
Timber: 30-35mm  
(Above counter only)

**Note:**  
• Waste centre: 450mm std

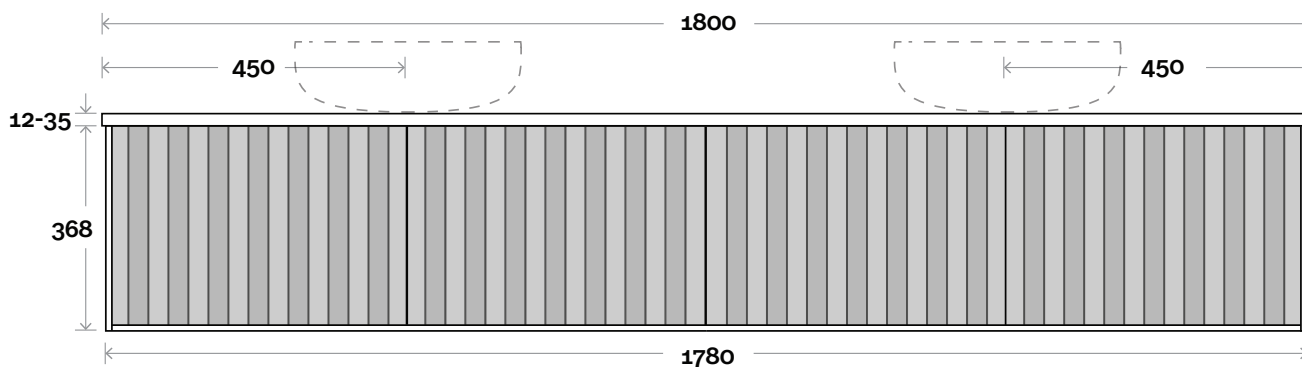


**Plumbing allowance**

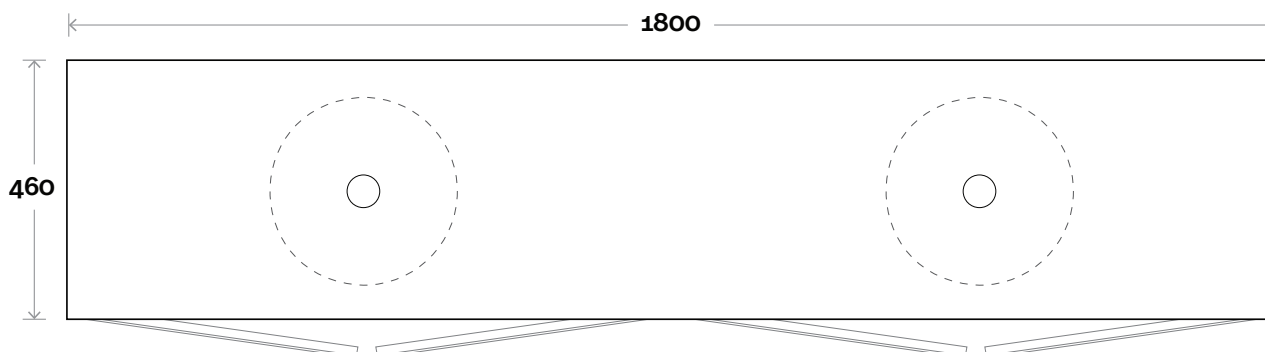
## Profile



## Configuration



## Plan



All measurements are in 'mm' and are approximate and to be used as a guide only. Installation preparations are not recommended without product onsite.