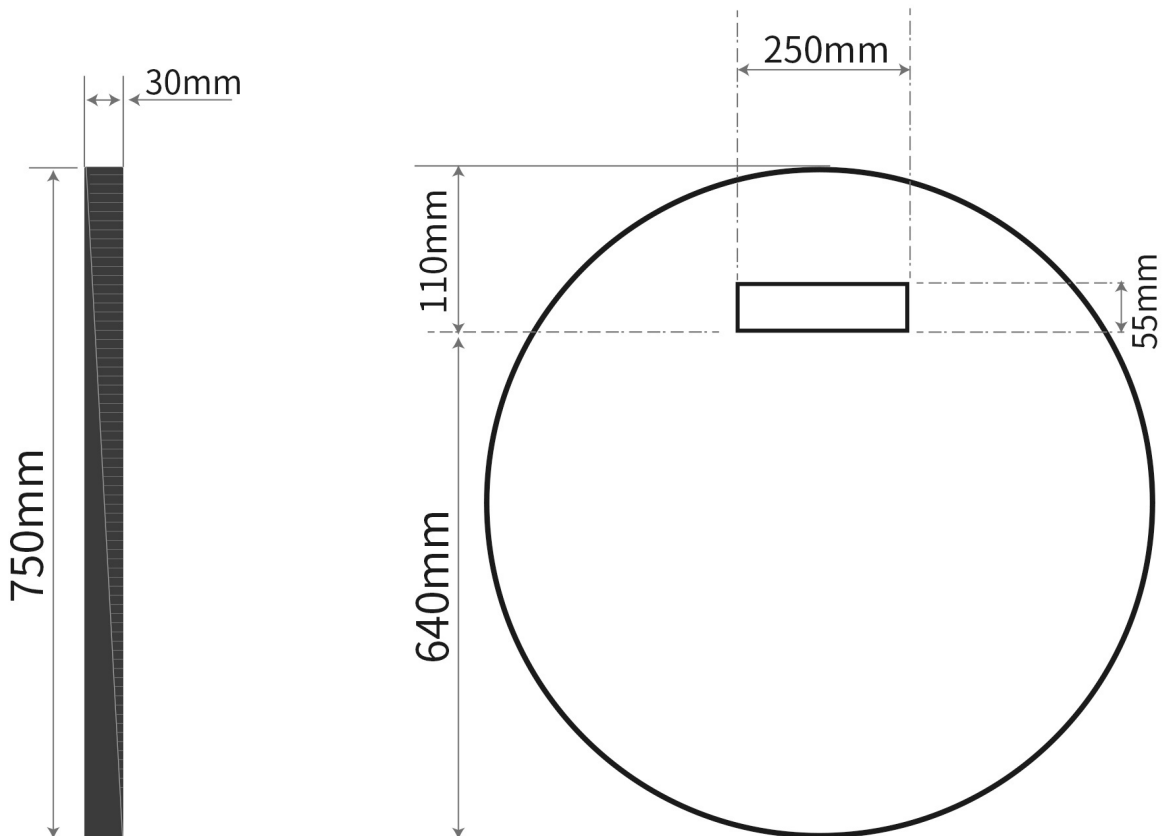
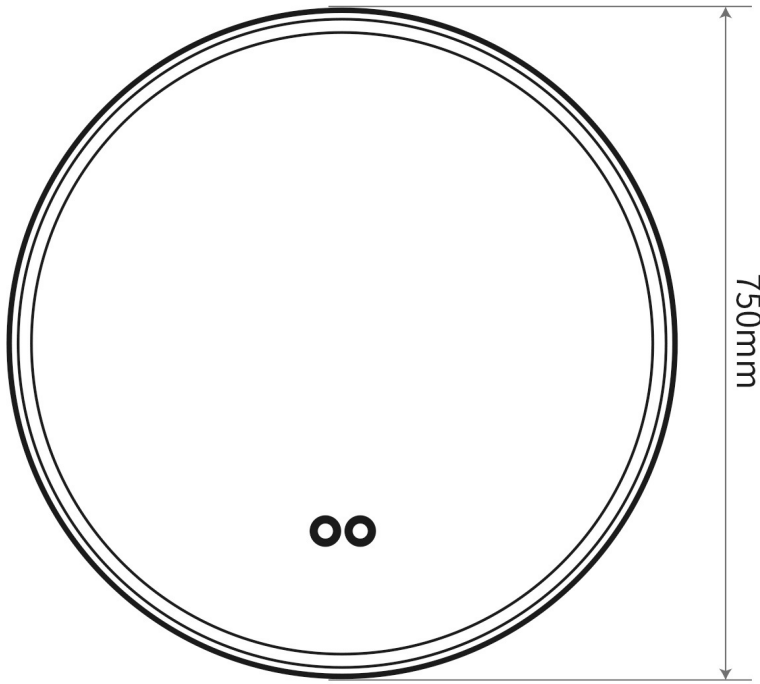


# Round

VIB-750B

VIBA BF LM-VIB-750B



# Round

## VIB-750B

VIBE Brushed Black Frame in  
Round Mirror with LED Front  
75cm diameter

### Please note

- Secure supplied fixings to wall.
- Can only connect by electrician.
- Connect the power cable from the mirror.
- Securely hang mirror on the supplied fixings or inset mirror cabinet into niche and secure.
- Switch on the mains power supply and test.
- Full installation instructions come with the product.

### installation

Products require installed by a Lience Electrician, All installations should comply with the relevant requirements and local codes.

### Care and Maintenance

[1] Product should be inspected for surface damage prior to installation. [2] Cleaning and handling of all finishes must be performed carefully. [3] Clean products using a soft cloth with warm soapy water only. [4] Never use harsh detergents or abrasive cleaners as these will damage the product. [5] Contact with harsh chemicals such as hair dye, hair bleach etc with result in damage to the finish. [6] Damage to finishes arising from improper installation or post installation use or failure to observe the above care and cleaning instructions will void all warranty agreements.

### Warranty term

Bathroom Mirrors with LED are covered by a two (2) year warranty from date of purchase.

### Hera Bathware Showroom:

#### Melbourne

Campbellfield: 1/3  
Merri concourse,  
Campbellfield VIC  
3061

HERA  
BATHWARE