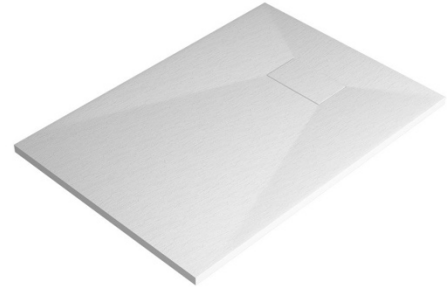




**FEATURES**

- Modern slim design
- Slip resistance stone finish
- Separate drain waste
- Resistant to impact
- One piece construction
- Repairable surface
- Left/Right drain position
- Installation: Above floor or recessed flush with floor



**MATERIAL**

- SMC

**WEIGHT**

- 15KG - 35KG

**Model**

- GT9090SLT
- GT12090SLT
- GT15090SLT
- GT18090SLT

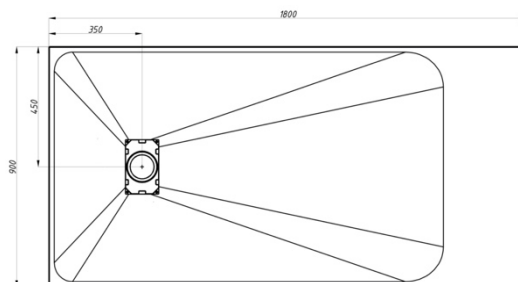
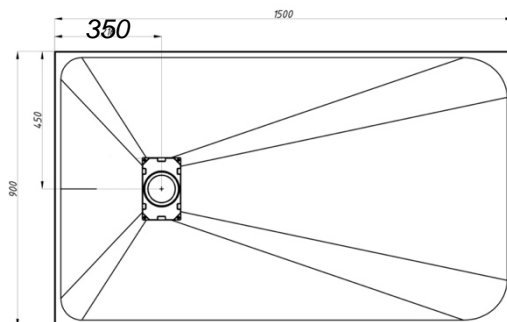
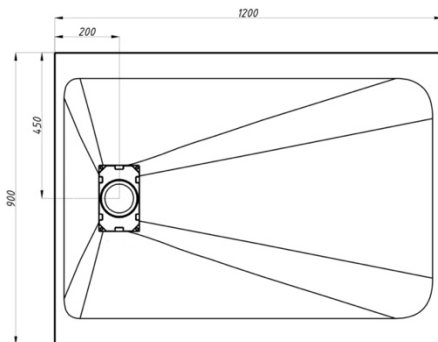
**SIZE**

- 900X900
- 1200X900
- 1500X900
- 1800X900

**TILE LIPS**

- SUPPLY WITH FLASHING
- SUPPLY WITH FLASHING
- SUPPLY WITH FLASHING
- SUPPLY WITH FLASHING

**TECHNICAL INFORMATION**



[www.polymore.com.au](http://www.polymore.com.au)

sales@polymore.com.au

03 93088058