

Installation Instructions

FULL WALL FACED TOILET SUITE

Installation of Toilet Seat and Cleaning

It is recommended that toilet seat and cover be installed after all trades are finished

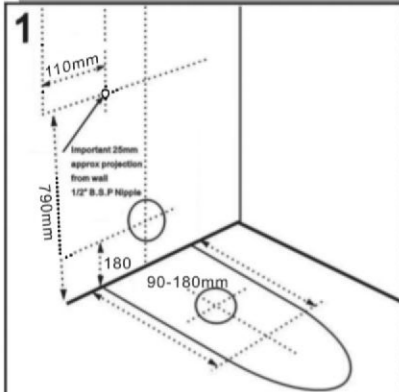
Note:
DO NOT submerge the hose assembly into water. All measurements for roughing-in should be taken from finished wall floor. Installation must be carried out by a current registered Licensed plumber or warranty will be void. This warranty does not include faults caused by modification i.e. cut out of ceramic. Any modification is not allowed and will void the warranty.

Cleaning Recommendations

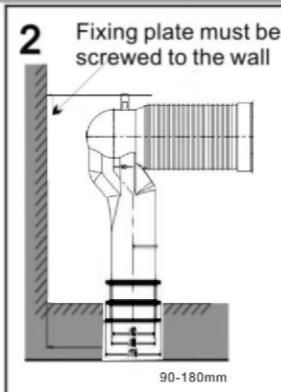
The high quality vitreous china finish on all sanitary ware can be maintained by simply using mild soapy water and wiping over. Sanitary ware should not be cleaned with abrasive materials e.g. steel wool/scourers. Do not use any corrosive or abrasive cleaning agents containing acids or scouring agents as this may lead to surface damage. Bleaches can also discolour seats and hinges and therefore should not be used. If your toilet has metal hinges they should only be cleaned with a mild liquid domestic cleaner, with soft soapsuds or Steel & Chrome cleaner. After cleaning, rinse with clean water and polish with a clean soft cloth.

INSTALLATION INFORMATION

S-Trap

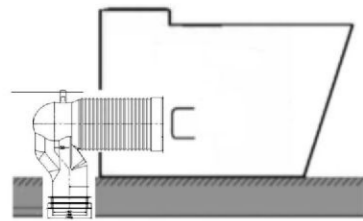


1. Rough in position of water inlet, waste outlet. Ensure inlet connection extends 60mm from finished wall.

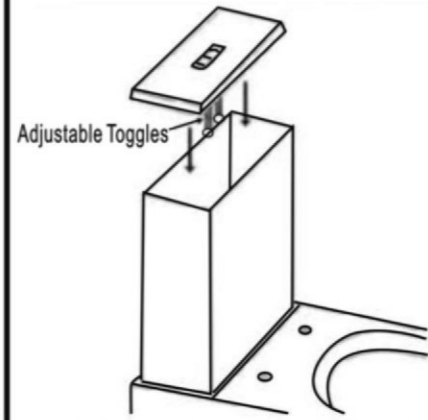
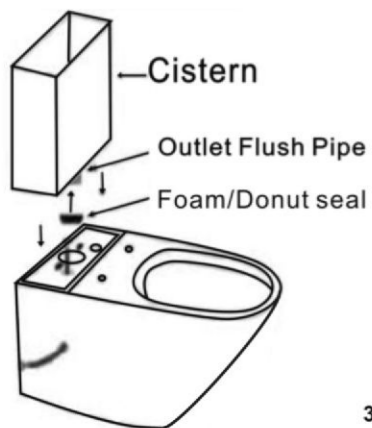
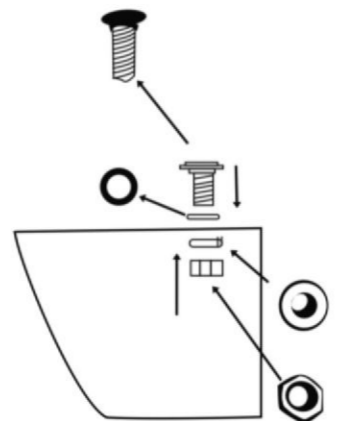
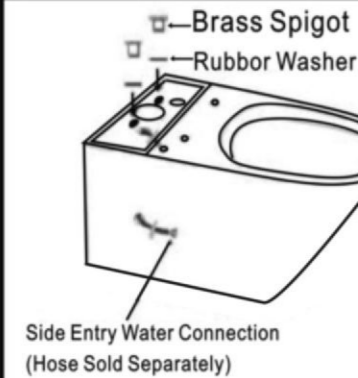


2. Lubricate the fins of the pan bend and position into waste pipe.

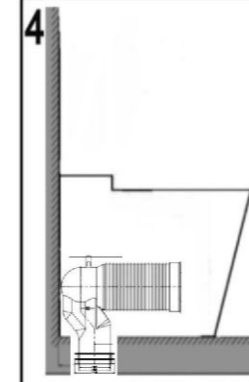
3. Lubricate rubber on the exposed connector end



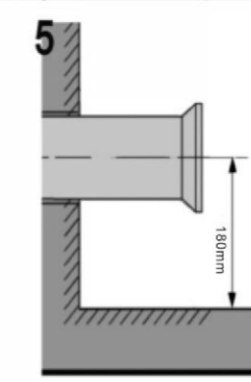
TOP INSTALL SYSTEM & EASY-REMOVE



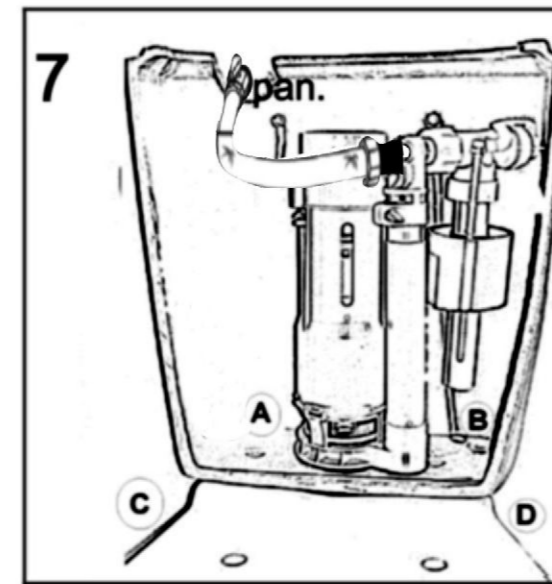
P Trap



4. Align and push fully assembled toilet back to the wall

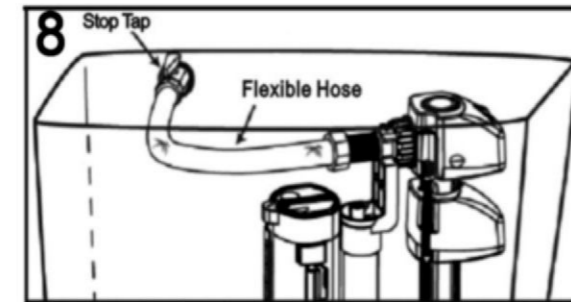


6. Align and push fully assembled toilet back to the wall, connecting pan spigot to pan collar. Bucket flush and check for leaks. Due to the design, weight and stability of the pan and cistern a silicone adhesive only is recommended and accepted by manufacturer for floor based fixing.

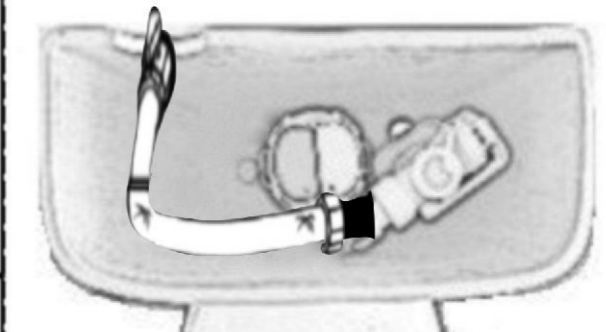


7. IF BACK INLET, SKIP THIS STEP. Remove cap from cistern plug A or B at base cistern. Connect flexible hose to cistern plug A or B depending on location of stop tap. Complete stop tap connection to underside of cistern plug C or D. Fill cistern and ensure correct water level.

Note: 1. Inlet valve can be adjusted if required.



8. IF STEP 8 IS COMPLETED, SKIP THIS STEP. Fit off stop tap then connect rear water inlet valve to stop tap. Fill cistern and ensure correct water level.



Make sure inlet valve flow are free from side of cistern wall. If inlet valve been jam on the cistern wall, it will cause inlet valve keep filling. The water inlet working pressure: 140Kpa--550Kpa.

Technical Specification and Attention

Item	Description	Specification
1	Connection size	G1/2
2	Operating temperature range	10~38 °C
3	Operating pressure range	0.14~0.55MPa
4	Water consumption for 2180	4.5/3L