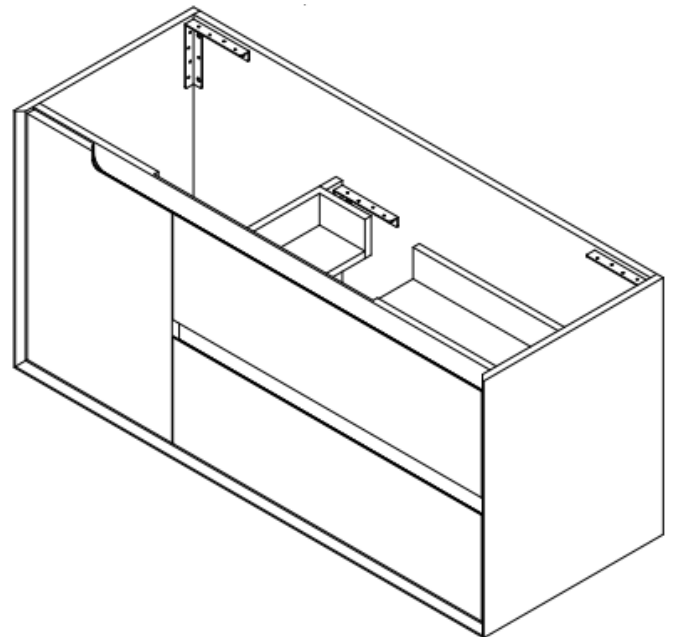
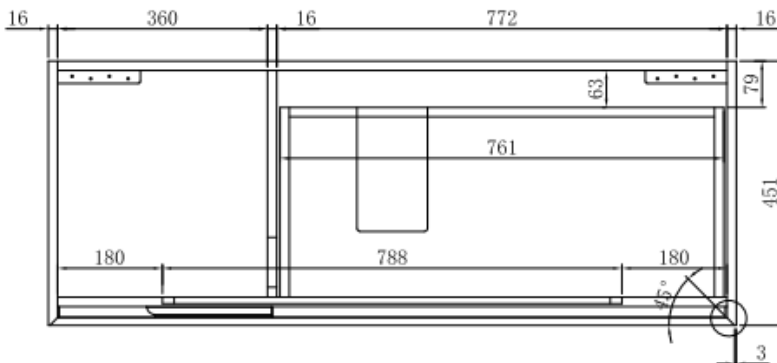
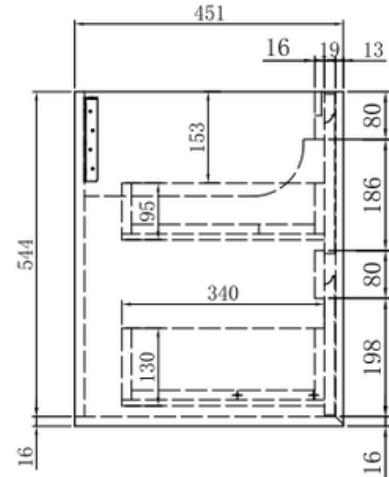
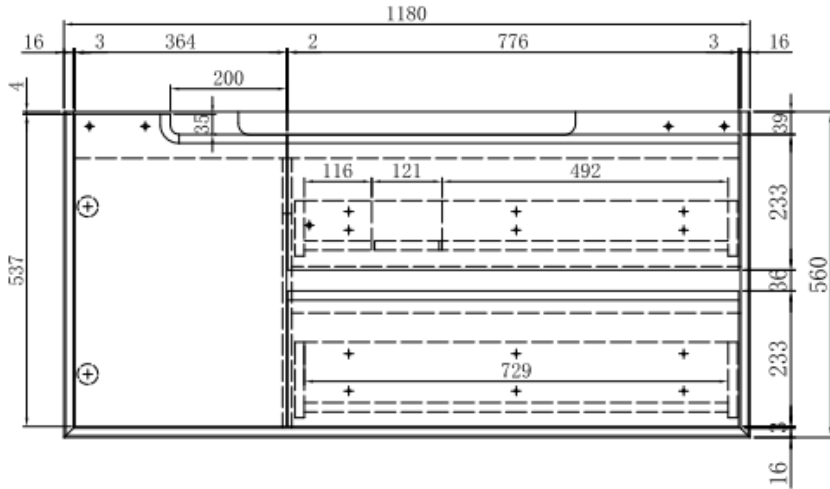


# BVWH05-1200



PRODUCT NAME	ALTONA WALL HUNG
DRAWER & DOOR FEATURE	SOLFT CLOSING
OPENING STYLE	FINGER PULL TO OPEN
CONFIGURATION	TWO DRAWERS
WARRANTY PERIOD	10 YEARS
DISPLAY SIZE(MM)	1180(W)*451(D)*560(H)

## TOP MATCHES

### UNERMOUNT BASINS

- ST26-1200 SINGLE
- ST46-1200 SINGLE
- ST56-1200 SINGLE

### FLAT STONE TOP (NO HOLES)

- ST26FTNH-1200
- ST46FTNH-1200
- ST56FTNH-1200

- CERAMIC TOP
- CT28-1200 SINGLE

## NOTES:

DIMENSIONS ARE NOMINAL. DO NOT DRILL OR ROUGH IN UNTIL YOU HAVE RECIEVED AND MEASURED YOUR VANITY.

INSTALLATION KITS INCLUDED, CONCEAL AT THE PACKAGING.