

Aulic

Diamond



For sustainability and environment protection,
please scan the QR code for a digital copy.

Aulic

— DREAMS INTO REALITY —

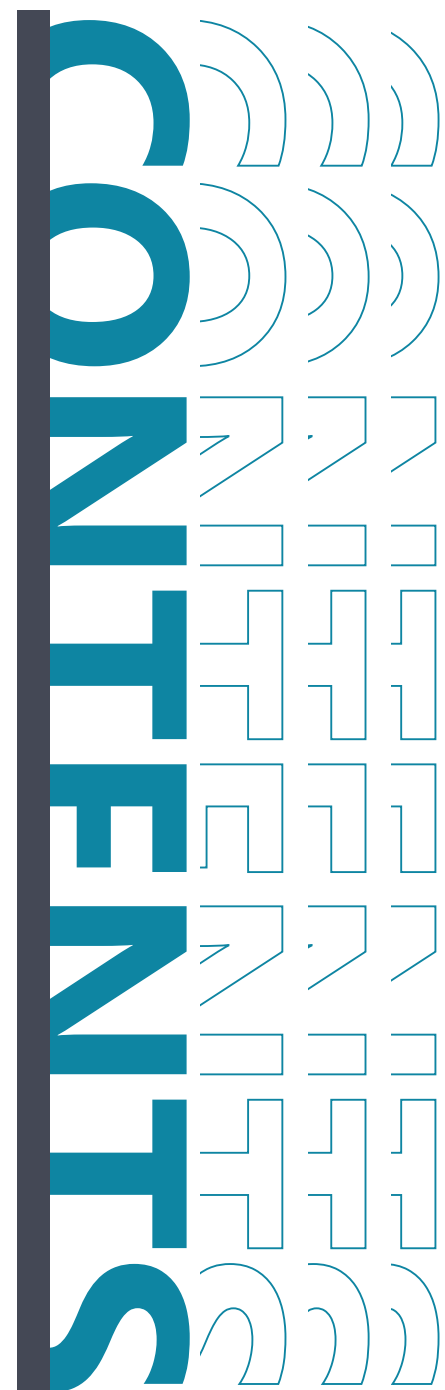
www.aulic.com.au

Owned by ALEX GROUP AUS PTY LTD



-DREAMS INTO REALITY -





1

- 10 | SAVIO WALL HUNG
- 12 | CURVA WALL HUNG
- 14 | CARITA WALL HUNG
- 16 | BRIONY WALL HUNG

2

- 20 | NEVA WALL HUNG
- 22 | FLAUTO WALL HUNG
- 24 | MORENO WALL HUNG
- 26 | AINSLEY WALL HUNG

3

- 30 | HAMILTON WALL HUNG
- 32 | PETRA WALL HUNG MARK II
- 34 | VERONA WALL HUNG MARK II
- 36 | TUSCANA WALL HUNG
- 38 | PERLA WALL HUNG MARK II
- 40 | CALDER WALL HUNG

5

- 62 | BENCH TOPS
- 66 | SPECIFICATIONS

4

- 44 | SHAVING CABINETS
- 48 | LED MIRRORS
- 54 | LED SHAVING CABINETS



Our Products

We strive to become a leading provider of quality products that are both timeless and durable enough to stand the test of time. From the selection of the materials to the intricate process of bringing ideas to life, we are committed to bringing you nothing but the feel and look of luxury without the hefty price tag.

Our Mission

Aulic is on a mission to provide Australian households with a premium experience through stunning and reasonably priced products that will give you that million dollar experience.

Our Guarantee

We go above and beyond in providing our clientele outstanding service and remarkable products. All Aulic products are checked using strict quality standards – allowing us to provide you with nothing but products you, and the entire family will love to use.

What we promise

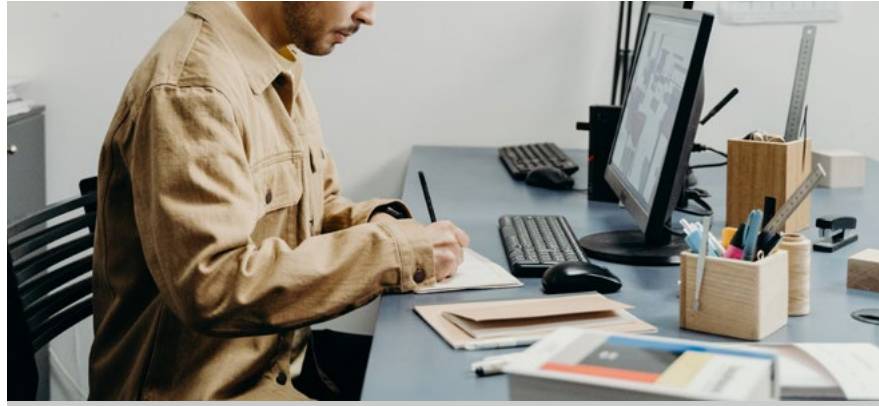
We are confident in what we offer, we are providing you with these guarantees. We strive to become known for offering stellar customer experience and these warranties will cover every transaction of the original purchaser.

FOLLOW US



Join us on our social media platforms and be part of the Aulic community! We value your stories and projects, so don't hesitate to share them with us. By scanning the QR code below, you can have a chance to showcase your stunning Aulic bathrooms in our featured stories. We can't wait to connect with you and see the amazing designs and experiences you have with Aulic. Follow us now and become part of our vibrant online community!





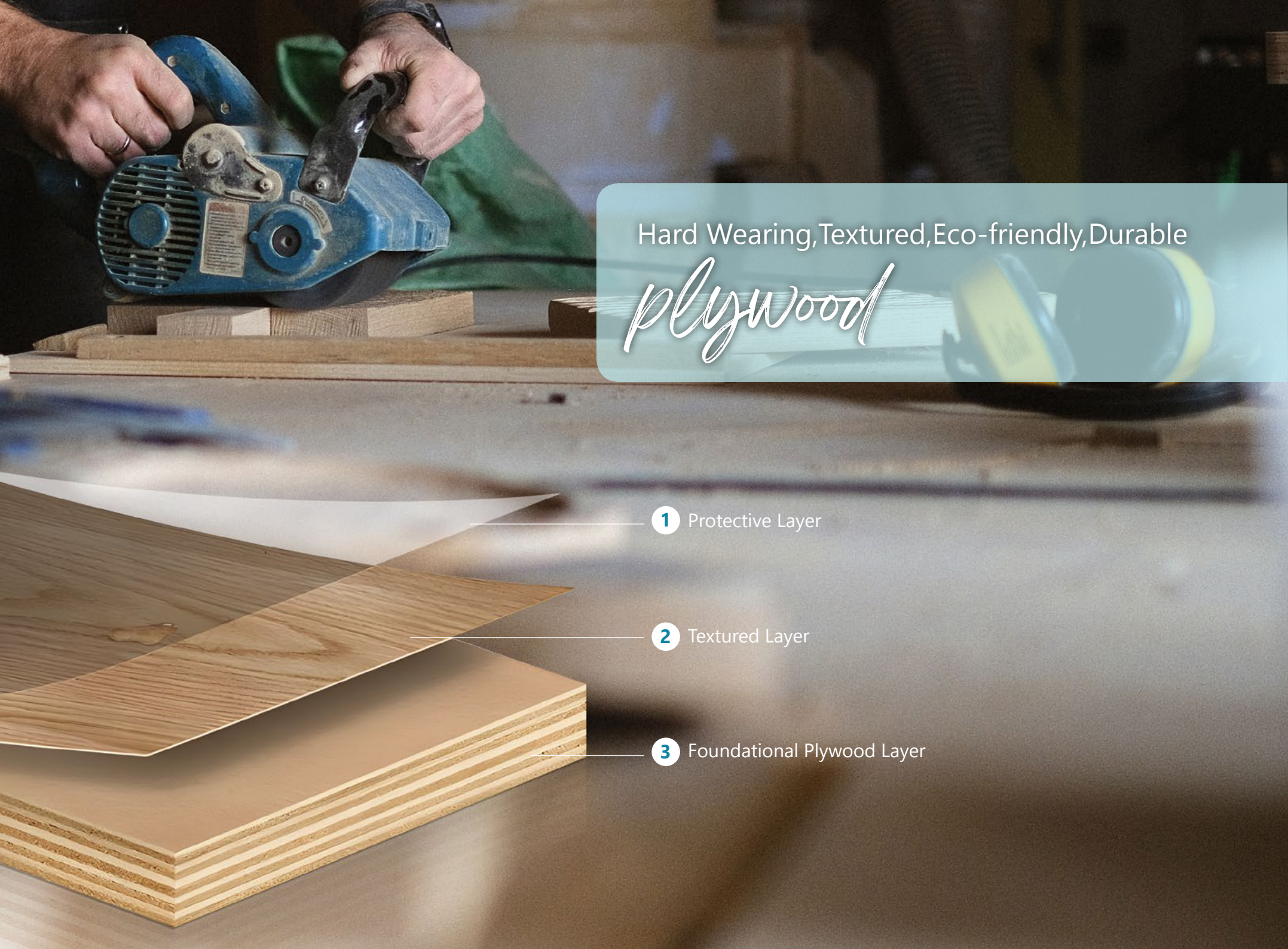
Proudly *designed* in Australia



Partnered with *HETTICH*

To bring you the best
drawer system hardware





Hard Wearing, Textured, Eco-friendly, Durable
plywood

1 Protective Layer

2 Textured Layer

3 Foundational Plywood Layer

Discover Mirrors





CURVA WALL HUNG -1200mm



BRIONY WALL HUNG-1500mm



SAVIO WALL HUNG -900mm



CARITA WALL HUNG -1800mm

The curved vanity is a masterpiece of design, a harmonious fusion of form and function that captivates the senses. Crafted from the finest materials, its smooth, polished surface gleams with an opulent luster, reflecting the world in a softened, flattering light. The gentle arc of its frame cradles a sumptuous countertop, a canvas for personal adornment and reflection.



Pictured: SAVIO WALL HUNG -1200mm



SAVIO WALL HUNG

(CAWH45 Overall Depth 460MM)

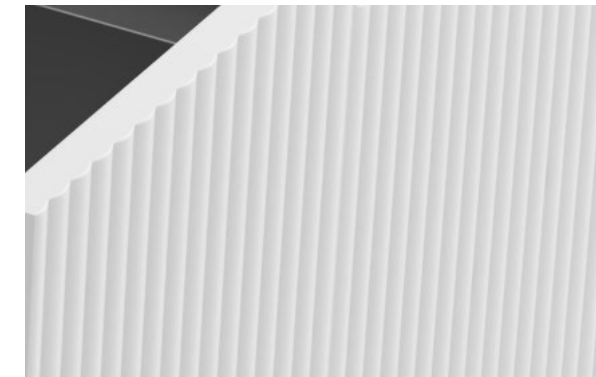
FEATURES

- All-drawers model with curved feature ends.
- Premium-grade, durable timber plywood
- Contemporary V-groove in matte white polyurethane finish
- Hettich Quadro S full extension, soft close drawer runners
- Drawer Organisers included
- Minimalist L-rail design finger pull drawers
- Premium graphite interior

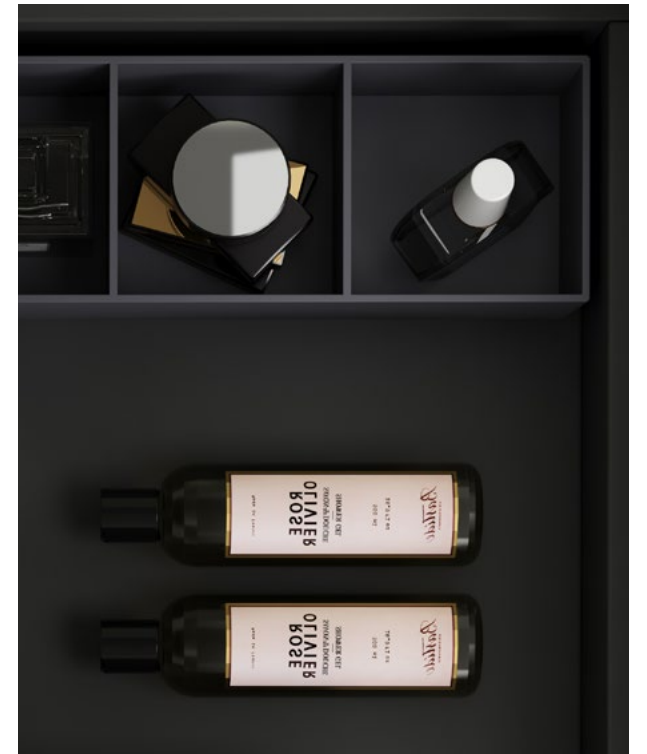
For benchtop selections please refer to **page 62**
 For full specifications please refer to **page 66**
 Taps, plug & wastes and accessories not included
 Available sizes - **750, 900, 1200, and 1500mm**
 Available with Flat stone top only



Premium-grade, durable timber plywood



Contemporary V-groove in matte white polyurethane finish



Drawer Organisers included



Hettich Quadro S full extension, soft close drawer runners



CURVA WALL HUNG

(CAWH46 Overall Depth 460MM)

FEATURES

- All-drawers model with curved feature ends.
- Stacked drawers: Versatile and spacious
- Premium-grade, durable timber plywood
- Contemporary V-groove in matte white polyurethane finish
- Hettich Quadro S full extension, soft close drawer runners
- Drawer Organisers included
- Minimalist L-rail design finger pull drawers
- Premium graphite interior

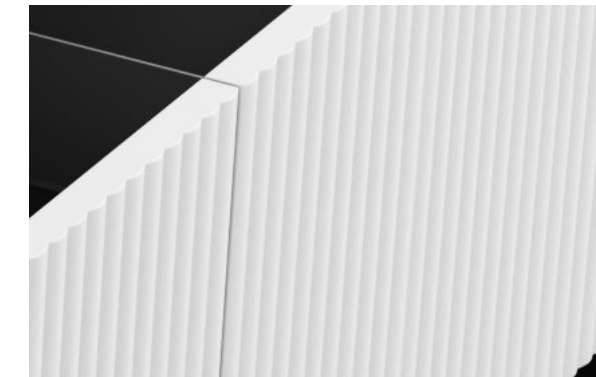
For benchtop selections please refer to **page 62**
 For full specifications please refer to **page 67**
 Taps, plug & wastes and accessories not included
 Available sizes - **750, 900, 1200, 1500 and 1800mm**
 Available with Flat stone top only



Pictured: CURVA WALL HUNG -1800mm

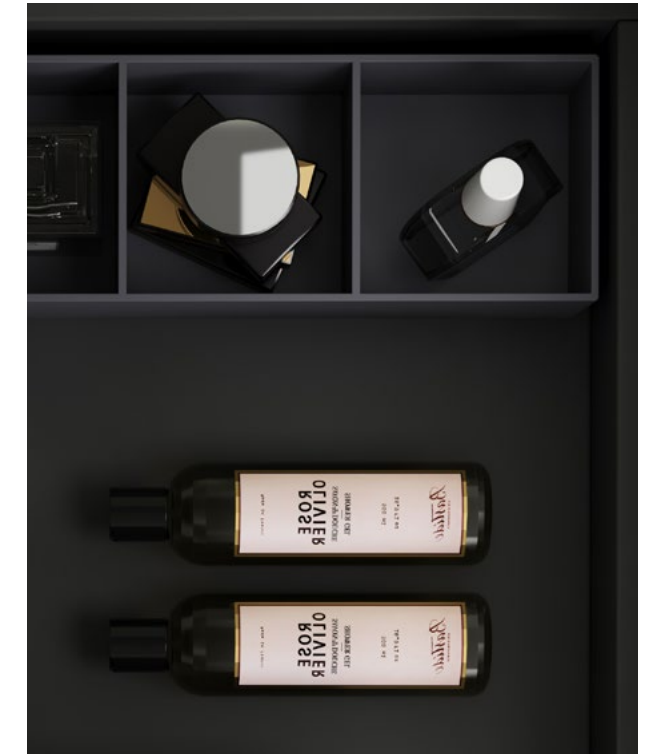


Premium-grade, durable timber plywood



Contemporary V-groove in matte white polyurethane finish

Drawer Organisers included



Hettich Quadro S full extension, soft close drawer runners



Pictured: CARITA WALL HUNG -1500mm

CARITA WALL HUNG

(CAWH47 Overall Depth 460MM)

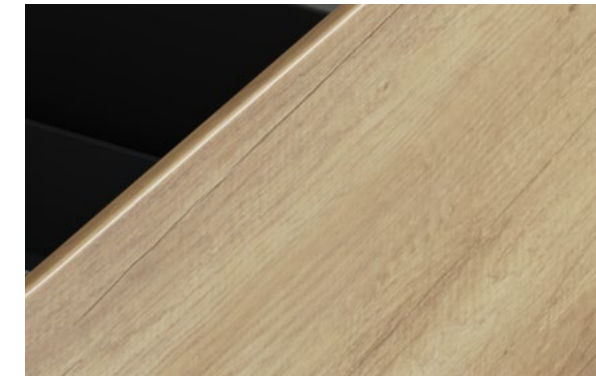
FEATURES

- All-drawers model with curved feature ends.
- Premium-grade, durable timber plywood
- Natural Timber grains with hard wearing laminate finish
- Hettich Quadro S full extension, soft close drawer runners
- Drawer Organisers included
- Minimalist L-rail design finger pull drawers
- Premium graphite interior

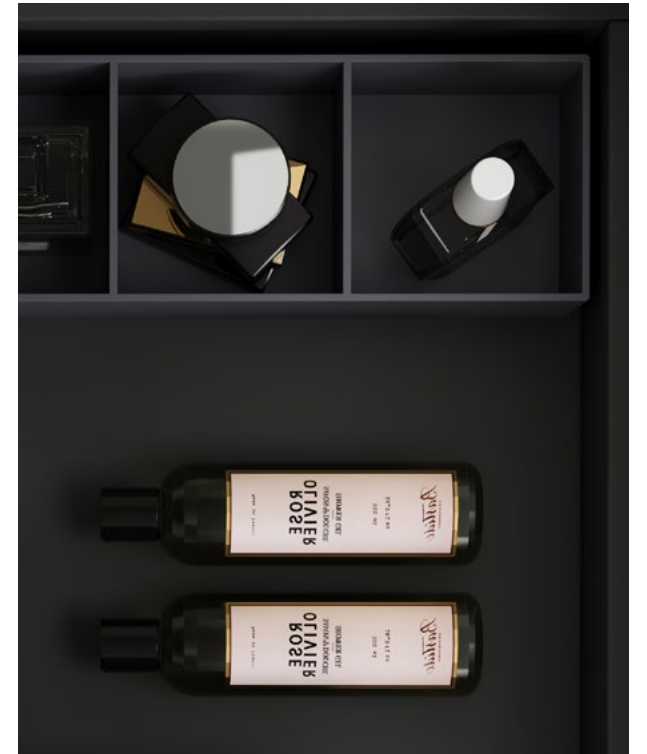
For benchtop selections please refer to **page 62**
 For full specifications please refer to **page 68**
 Taps, plug & wastes and accessories not included
 Available sizes - **750, 900, 1200, 1500 and 1800mm**
 Available with Flat stone top only



Premium-grade, durable timber plywood



Natural Timber grains with hard wearing laminate finish



Drawer Organisers included



Hettich Quadro S full extension, soft close drawer runners



Pictured: BRIONY WALL HUNG-1800mm



BRIONY WALL HUNG

(CAWH48 Overall Depth 460MM)

FEATURES

- All-drawers model with curved feature ends
- Stacked drawers: Versatile and spacious
- Premium-grade, durable timber plywood
- Real Timber grains with hard wearing laminate finish
- Hettich Quadro S full extension, soft close drawer runners
- Drawer Organisers included
- Minimalist L-rail design finger pull drawers
- Premium graphite interior

For benchtop selections please refer to **page 62**
 For full specifications please refer to **page 69**
 Taps, plug & wastes and accessories not included
 Available sizes - **750, 900, 1200, 1500 and 1800mm**
 Available with Flat stone top only

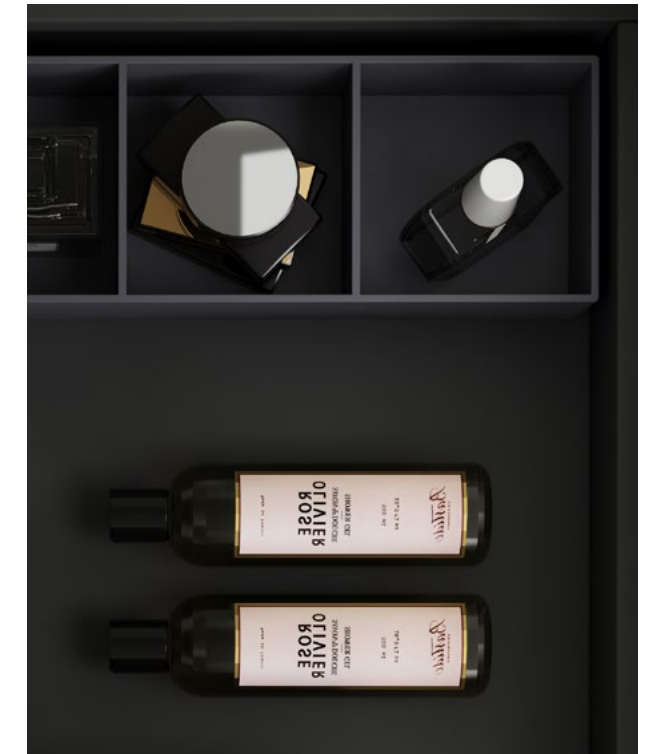


Premium-grade, durable timber plywood



Natural Timber grains with hard wearing laminate finish

Drawer Organisers included



Hettich Quadro S full extension, soft close drawer runners

Incorporating timeless right-angled design, this composition skillfully merges structured, geometric lines and precise angles, infusing your bathroom sanctuary with an aura of modern sophistication. It embodies contemporary aesthetics while upholding meticulous Australian craftsmanship for enduring quality.



FLAUTO WALL HUNG -1800mm



MORENO WALL HUNG-900mm



NEVA WALL HUNG -1200mm



AINSLEY WALL HUNG-1500mm



NEVA WALL HUNG

(CAWH49 Overall Depth 460MM)

FEATURES

- All-drawers model
- Premium-grade, durable timber plywood
- Contemporary Strata in matte white polyurethane finish
- Hettich Quadro S full extension, soft close drawer runners
- Drawer Organisers included
- Minimalist L-rail design finger pull drawers
- Premium graphite interior

For benchtop selections please refer to **page 62**
 For full specifications please refer to **page 70**
 Taps, plug & wastes and accessories not included
 Available sizes - **600, 750, 900, 1200, and 1500mm**
 Available with Ceramic top, Stone top with undermount basin and Flat stone top



Pictured: NEVA WALL HUNG-1500mm

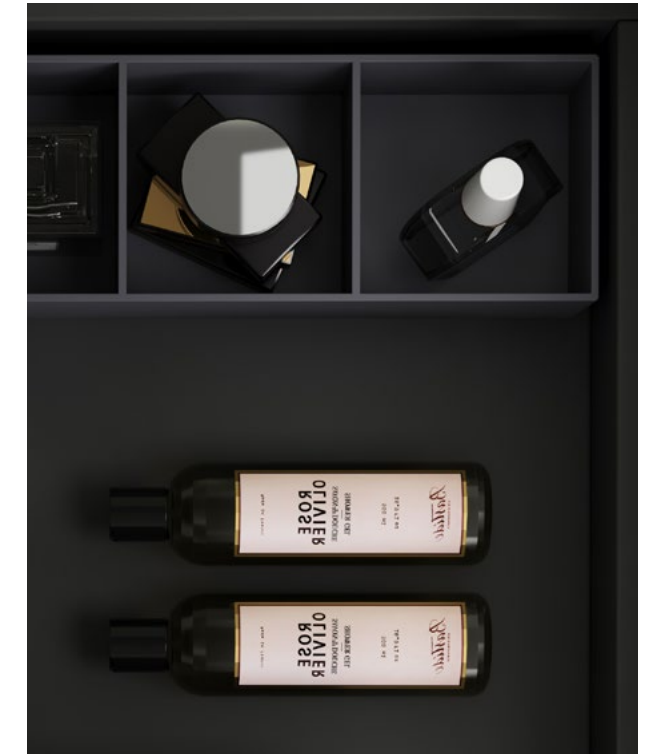


Premium-grade, durable timber plywood



Contemporary Strata in matte white polyurethane finish

Drawer Organisers included



Hettich Quadro S full extension, soft close drawer runners



Pictured: FLAUTO WALL HUNG-1800mm



FLAUTO WALL HUNG

(CAWH50 Overall Depth 460MM)

FEATURES

- All-drawers model
- Premium-grade, durable timber plywood
- Contemporary Ripple in matte white polyurethane finish
- Hettich Quadro S full extension, soft close drawer runners
- Bevel edge design
- Drawer Organisers included
- Minimalist L-rail design finger pull drawers
- Premium graphite interior

For benchtop selections please refer to **page 62**
 For full specifications please refer to **page 71**
 Taps, plug & wastes and accessories not included
 Available sizes - **600, 750, 900, 1200, 1500 and 1800mm**
 Available with Ceramic top, Stone top with undermount basin and Flat stone top

Bevel edge design

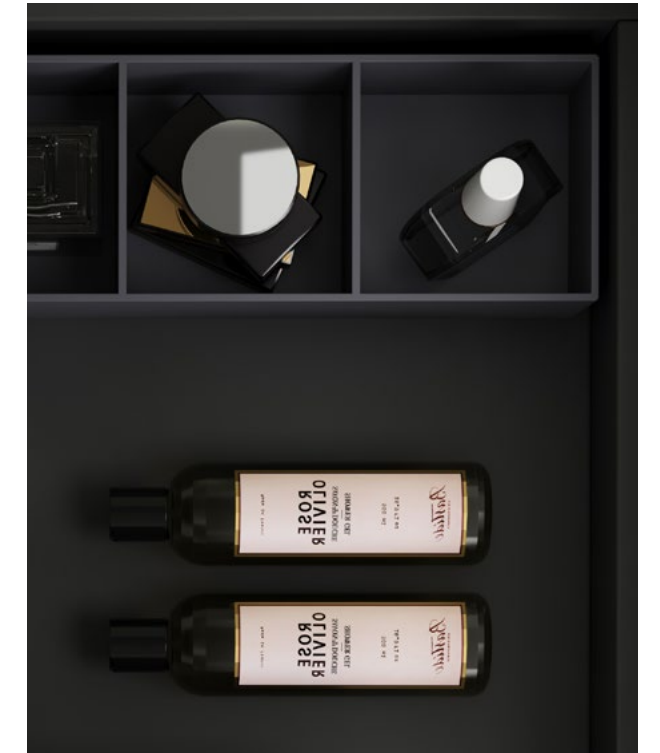


Premium-grade, durable timber plywood



Contemporary Ripple in matte white polyurethane finish

Drawer Organisers included



Hettich Quadro S full extension, soft close drawer runners



Pictured: MORENO WALL HUNG-1500mm



MORENO WALL HUNG

(CAWH51 Overall Depth 460MM)

FEATURES

- All-drawers model
- Premium-grade, durable timber plywood
- Natural Timber grains with hard wearing laminate finish
- Hettich Quadro S full extension, soft close drawer runners
- Bevel edge design
- Drawer Organisers included
- Minimalist L-rail design finger pull drawers
- Premium graphite interior

For benchtop selections please refer to **page 62**

For full specifications please refer to **page 72**

Taps, plug & wastes and accessories not included

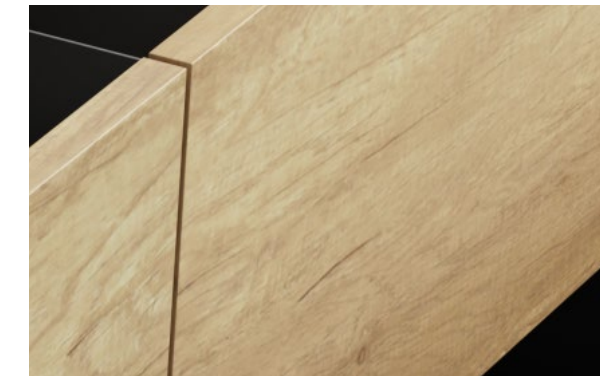
Available sizes - **600, 750, 900, 1200, and 1500mm**

Available with Ceramic top, Stone top with undermount basin and Flat stone top

Bevel edge design

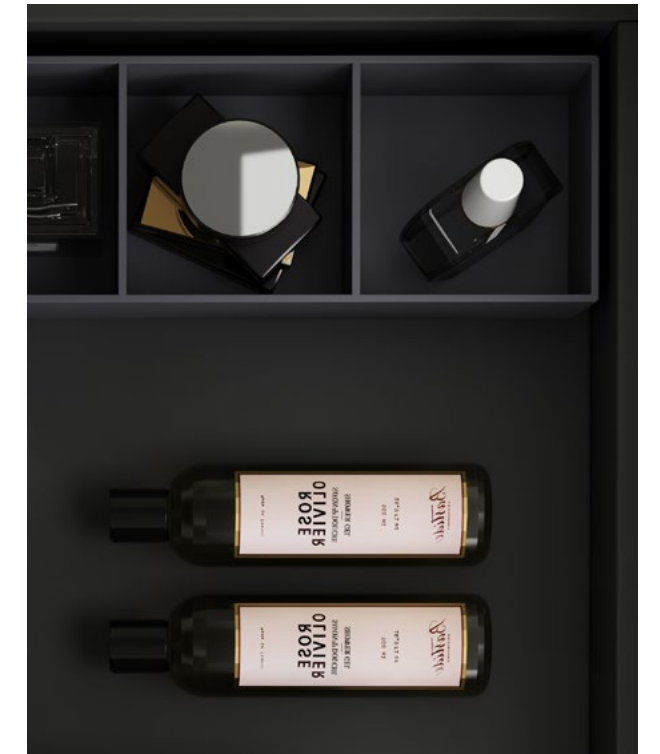


Premium-grade, durable timber plywood



Natural Timber grains with hard wearing laminate finish

Drawer Organisers included



Hettich Quadro S full extension, soft close drawer runners

Aulic

AINSLEY WALL HUNG

(CAWH52 Overall Depth 460MM)

FEATURES

- All-drawers model
- Premium-grade, durable timber plywood
- Natural Timber grains with hard wearing laminate finish
- Hettich Quadro S full extension, soft close drawer runners
- Bevel edge design
- Drawer Organisers included
- Minimalist L-rail design finger pull drawers
- Premium graphite interior

For benchtop selections please refer to **page 62**

For full specifications please refer to **page 73**

Taps, plug & wastes and accessories not included

Available sizes - **600, 750, 900, 1200, and 1500mm**

Available with Ceramic top, Stone top with undermount basin and Flat stone top



Pictured: AINSLEY WALL HUNG-1500mm

Bevel edge design

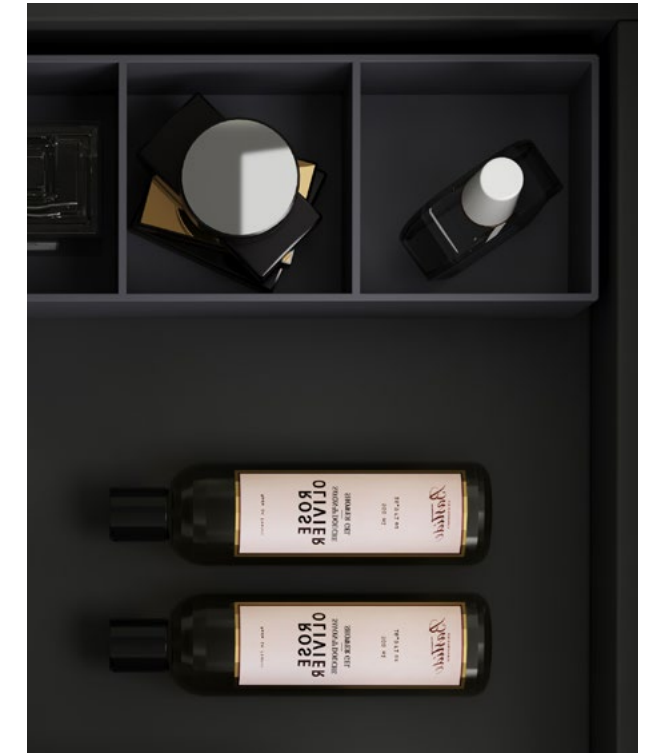


Premium-grade, durable timber plywood



Natural Timber grains with hard wearing laminate finish

Drawer Organisers included



Hettich Quadro S full extension, soft close drawer runners



Runner



Hettich InnoTech Atira premium runners

- ▶ Integrated silent damping system.
- ▶ Load-bearing in accordance with EN15338 Class II standards.
- ▶ Galvanized steel.
- ▶ Lasting smooth performance
- ▶ Full extension drawer



Pictured: HAMILTON WALL HUNG-1800mm

HAMILTON WALL HUNG

(CAWH39 Overall Depth 460MM)

FEATURES

- All-drawers model with curved feature ends
- Premium plywood with laminate finish
- Hettich InnoTech Atira premium runners
- Drawer Organisers included
- L-rail designed finger pull
- Premium graphite interior

For benchtop selections please refer to **page 62**
 For full specifications please refer to **page 74**
 Taps, plug & wastes and accessories not included
 Available sizes-**750,900,1200,1500 and 1800mm**
 Available with Flat stone top only



Premium-grade, durable timber plywood



Natural Timber grains with hard wearing laminate finish



Hettich InnoTech Atira premium runners

Drawer Organisers included



PETRA WALL HUNG MARK II
(CAWH402 Overall Depth 460MM)

- FEATURES**
 All-drawers model with curved feature ends.
 V groove polyurethane matte white finish
 Hettich InnoTech Atira premium runners
 Drawer Organisers included
 L-rail designed finger pull
 Premium graphite interior
 Premium-grade, durable timber plywood

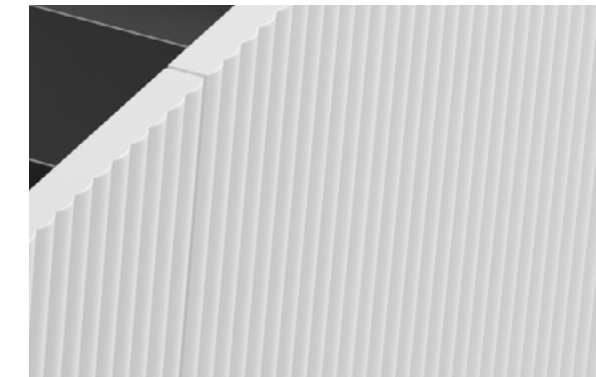
For benchtop selections please refer to **page 62**
 For full specifications please refer to **page 75**
 Taps, plug & wastes and accessories not included
 Available sizes-**750,900,1200,1500 and 1800mm**
 Available with Flat stone top only



Pictured: PETRA WALL HUNG MARK II -1800mm



Premium-grade, durable timber plywood



Contemporary V-groove in matte white polyurethane finish

Drawer Organisers included



Hettich InnoTech Atira premium runners



Pictured: VERONA WALL HUNG MARK II-1800mm



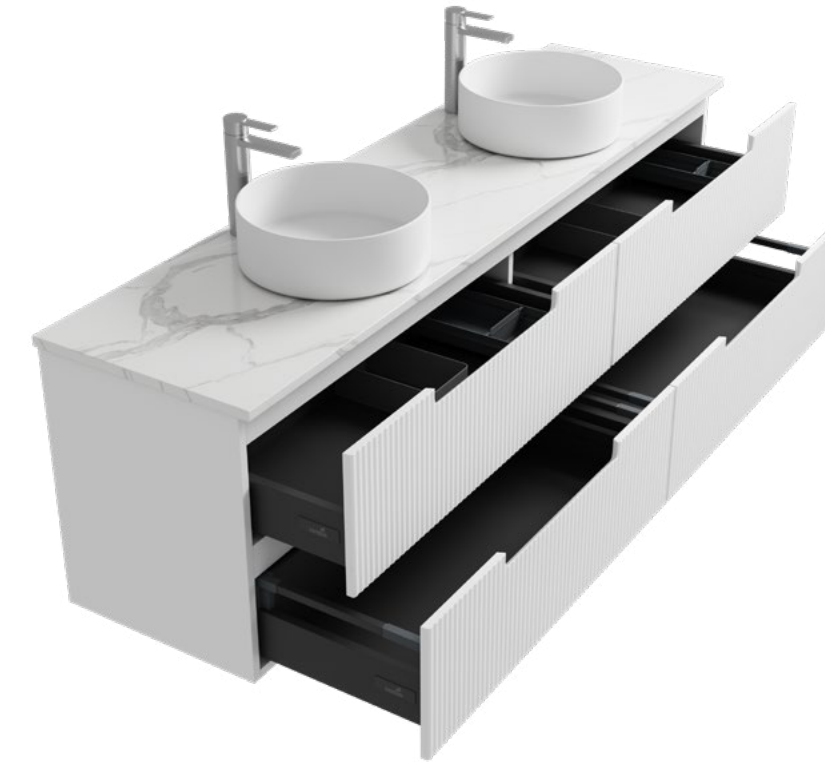
VERONA WALL HUNG MARK II

(CAWH412 Overall Depth 460MM)

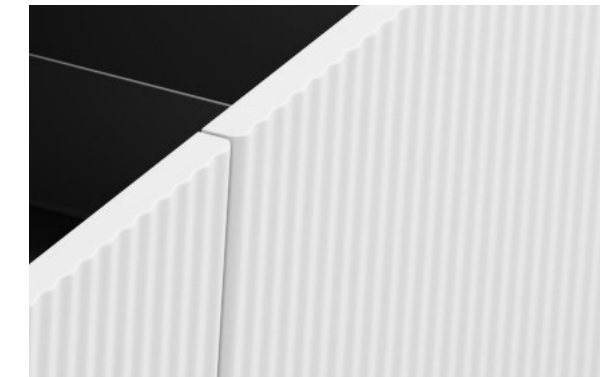
FEATURES

- All-drawer model
- Contemporary V-groove in matte white polyurethane finish
- Hettich InnoTech Atira premium runners
- Drawer Organisers included
- L-rail designed finger pull
- Premium graphite interior
- Premium-grade, durable timber plywood

For benchtop selections please refer to **page 62**
 For full specifications please refer to **page 76**
 Taps, plug & wastes and accessories not included
 Available sizes -**600,750,900,1200,1500 and 1800mm**
 Available with Ceramic top, Stone top with
 undermount basin and Flat stone top



Premium-grade, durable timber plywood



Contemporary V-groove in matte white polyurethane finish

Drawer Organisers included



Hettich InnoTech Atira premium runners



Pictured: TUSCANA WALL HUNG-1800mm



TUSCANA WALL HUNG

(CAWH42 Overall Depth 460MM)

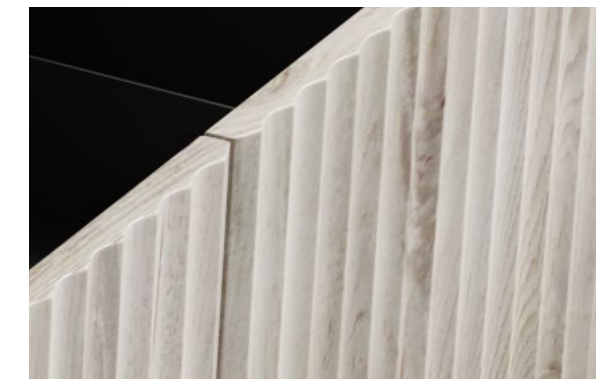
FEATURES

- All-drawers model
- Thermo laminated wave-groove(front) wood-grain front finish
- Hettich InnoTech Atira premium runners
- Drawer Organisers included
- L-rail designed finger pull
- Premium graphite interior

For benchtop selections please refer to **page 62**
 For full specifications please refer to **page 77**
 Taps, plug & wastes and accessories not included
 Available sizes-**600,750,900,1200,1500 and 1800mm**
 Available with-Ceramic top,Stone top with
 undermount basin and Flat stone top



L-Rail designed finger pull



Thermo laminated wave-groove front with wood-grain finish

Drawer Organisers included



Hettich InnoTech Atira premium runners



Pictured: PERLA WALL HUNG MARK II-1500mm



Drawer Organisers included



PERLA WALL HUNG MARK II

(CAWH432 Overall Depth 460MM)

FEATURES

- All-drawers model
- Contemporary V-groove in matte white polyurethane finish
- Hettich InnoTech Atira premium runners
- Drawer Organisers included
- L-rail designed finger pull
- Premium graphite interior
- Premium-grade, durable timber plywood

For benchtop selections please refer to **page 62**

For full specifications please refer to **page 78**

Taps, plug & wastes and accessories not included

Available sizes-**600,750,900,1200,1500 and 1800mm**

Available with-Ceramic top,Stone top with undermount basin and Flat stone top



Premium-grade, durable timber plywood



Contemporary V-groove in matte white polyurethane finish



Hettich InnoTech Atira premium runners



CALDER WALL HUNG

(CAWH44 Overall Depth 460MM)

FEATURES

- All-drawers model
- Thermo laminated wave-groove(front) wood-grain fronts finish
- Hettich InnoTech Atira premium runners
- Drawer Organisers included
- L-rail designed finger pull
- Premium graphite interior

For benchtop selections please refer to **page 62**
 For full specifications please refer to **page 79**
 Taps, plug & wastes and accessories not included
 Available sizes-**600,750,900,1200,1500 and 1800mm**
 Available with-Ceramic top,Stone top with undermount basin and Flat stone top



Pictured: CALDER WALL HUNG-1800mm



L-Rail designed finger pull



Thermo laminated wave-groove front with wood-grain finish

Drawer Organisers included

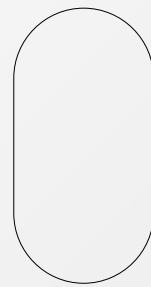


Hettich InnoTech Atira premium runners

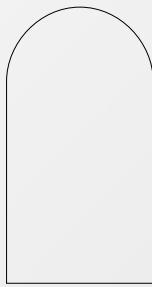


SHAVING CABINETS

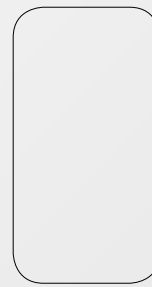
THREE SHAPES



PILL



ARCH



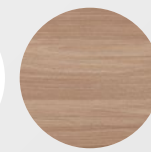
SQUIRE

Adjustable shelf

4 COLORS



MATTE WHITE



MIA



MAX



CARITA



Pill



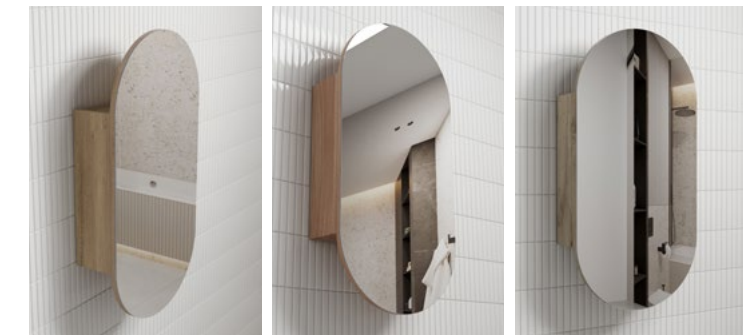
Squircle



MATTE WHITE

Beau Monde Shaving Cabinet

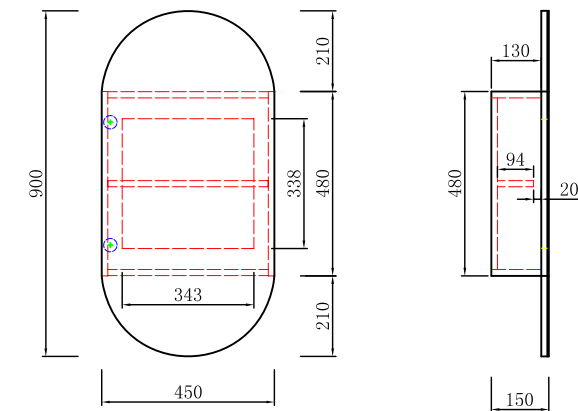
- SCBM-450-MW: 450x900x150mm
- SCBM-450-CR: 450x900x150mm
- SCBM-450-MIA: 450x900x150mm
- SCBM-450-MAX: 450x900x150mm



CARITA

MIA

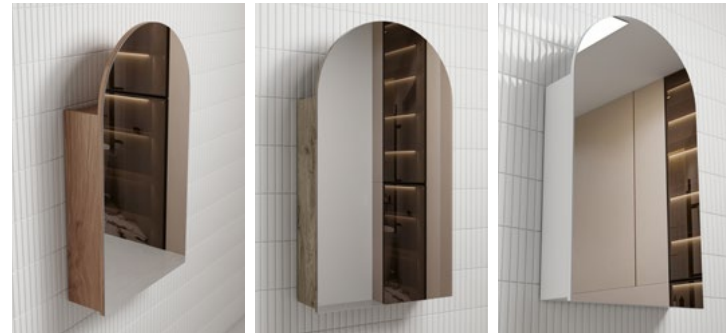
MAX





Canterbury Shaving Cabinet

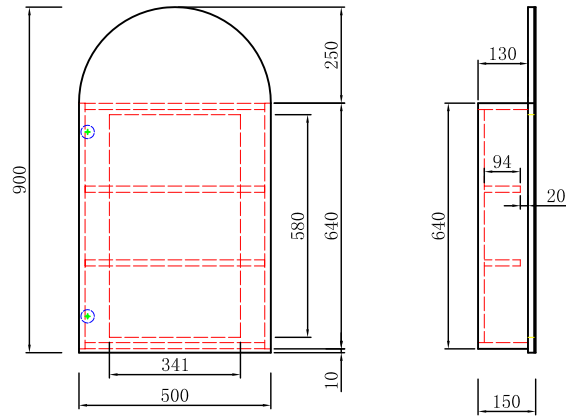
SCCAN-500-CR: 500x900x150mm
 SCCAN-500-MIA: 500x900x150mm
 SCCAN-500-MAX: 500x900x150mm
 SCCAN-500-MW: 500x900x150mm



MIA

MAX

MATTE WHITE



Vienna Shaving Cabinet

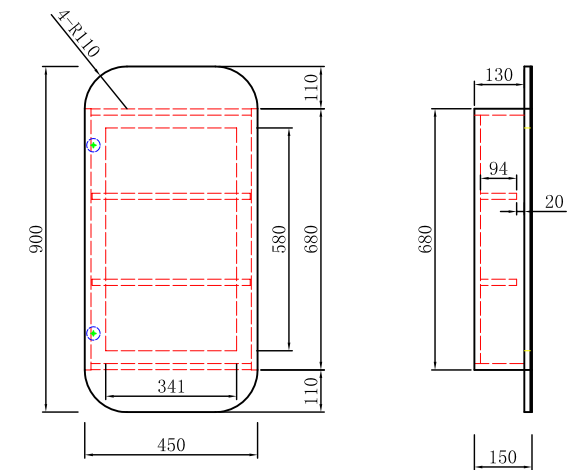
SCVIE-450-MIA: 450x900x150mm
 SCVIE-450-CR: 450x900x150mm
 SCVIE-450-MAX: 450x900x150mm
 SCVIE-450-MW: 450x900x150mm



CARITA

MAX

MATTE WHITE



LED Mirror Series



TOUCHLESS LED MIRRORS

FEATURES AND BENEFITS

Copper free mirror
Touchless Sensor
Backlit
Auto demister
Stepless dimmable
Auto cut-off in 1.5hours

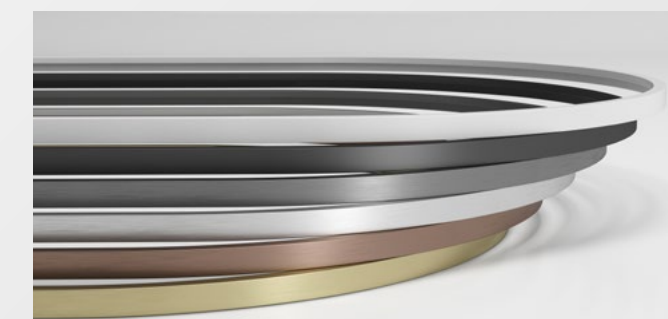
LIGHTING SPECIFICATIONS

CCT: 6000K – 4000K – 3000K
CRI: >80
IP Rating: IP44

INSTALLATION

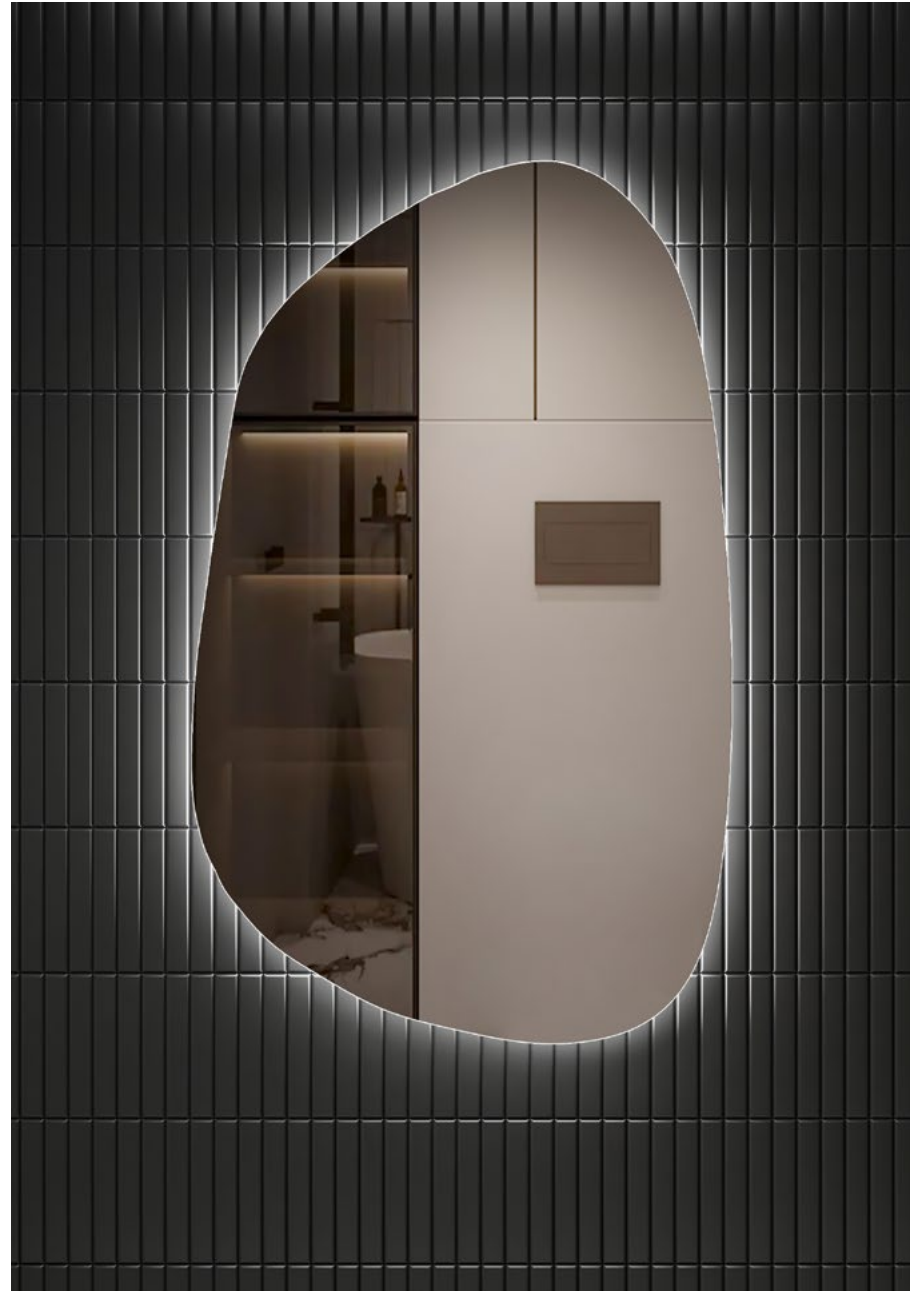
Wall mount
Hardwire
Input voltage: 220-240v 50Hz

PVD COATED QUALITY COLOURED STAINLESS STEEL FRAME



Smooth Frame with no visible seam
Colour matched tapware
1.5cm frame with halo glow



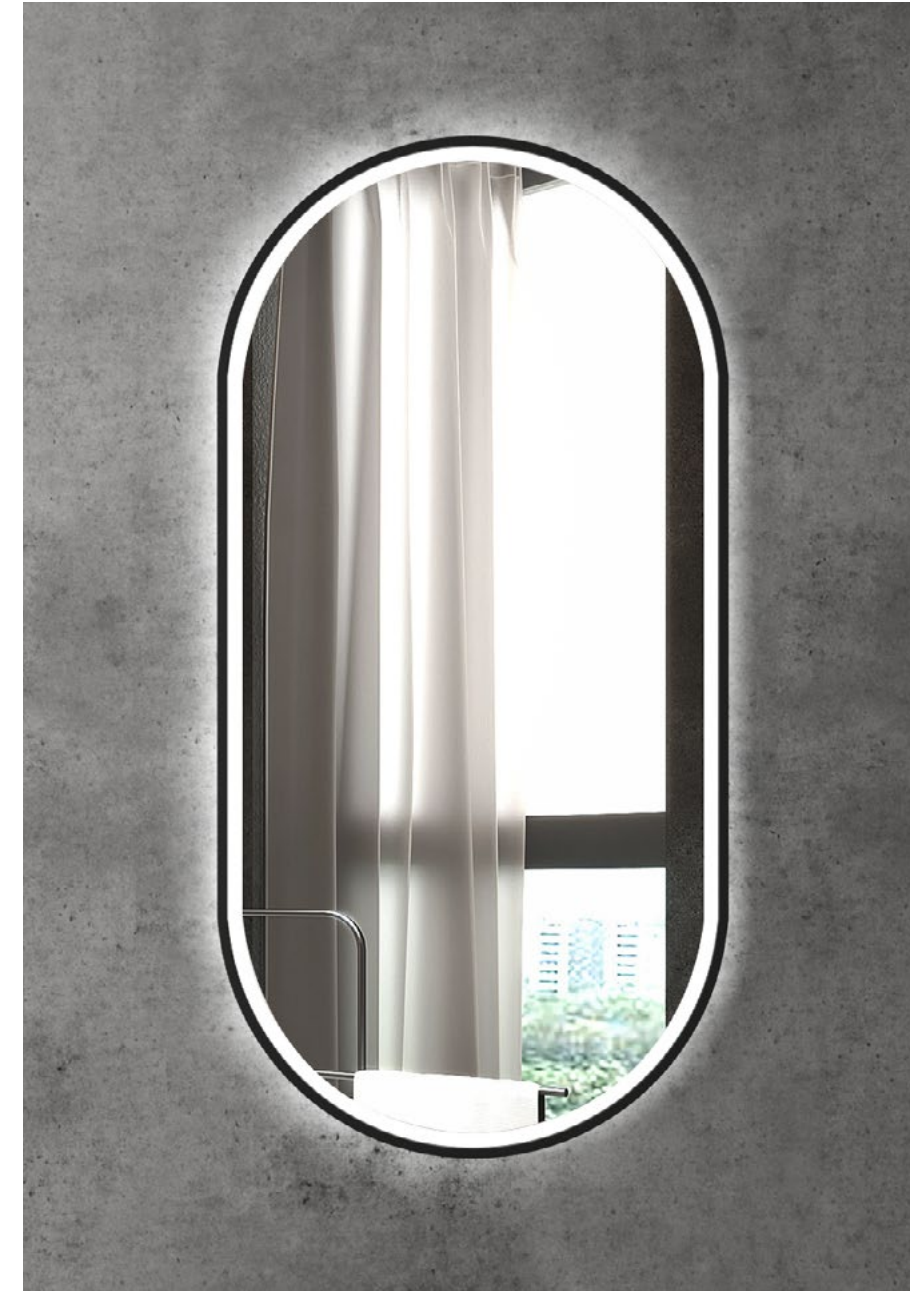
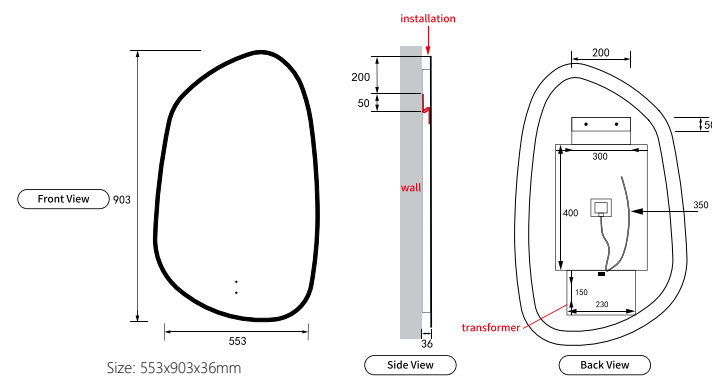
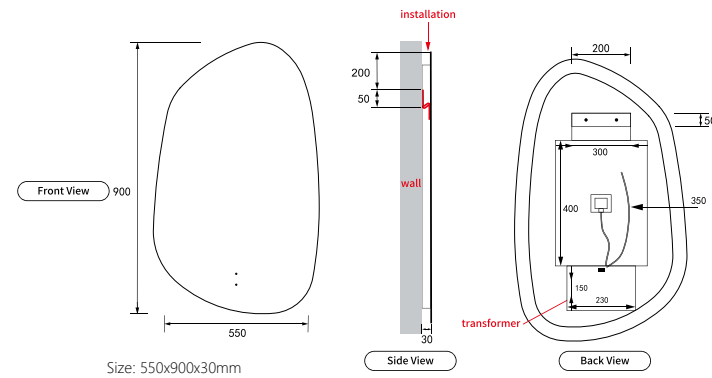
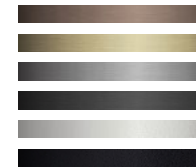


Taroola LED Mirror

- LMTAR-550: 550x900mm
- LMTAR-550-BZ: 553x903mm
- LMTAR-550-BG: 553x903mm
- LMTAR-550-BN: 553x903mm
- LMTAR-550-GM: 553x903mm
- LMTAR-550-MW: 553x903mm
- LMTAR-550-MB: 553x903mm

QUALITY COLOURED STAINLESS STEEL FRAME

- Brushed Bronze PVD
- Brushed Gold PVD
- Brushed Nickel PVD
- Gun Metal PVD
- Matte White
- Matte Black

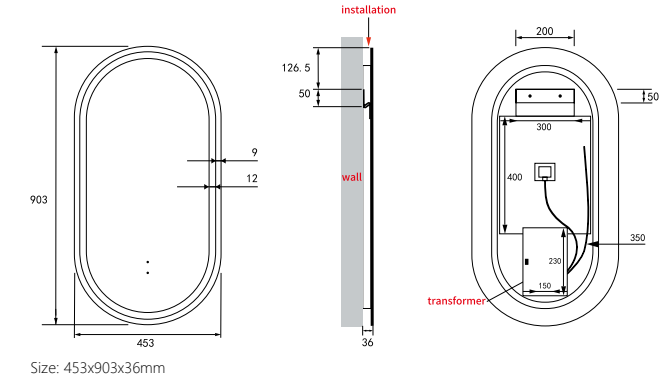
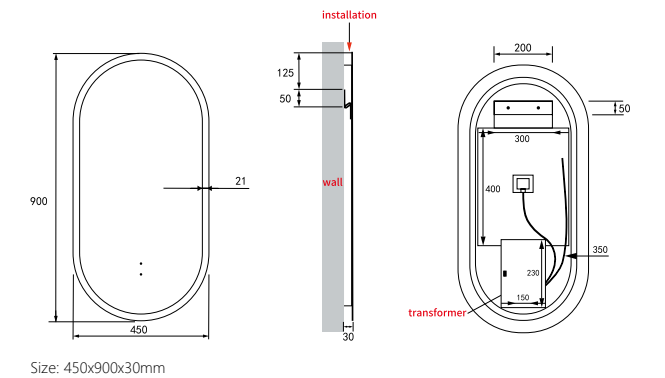


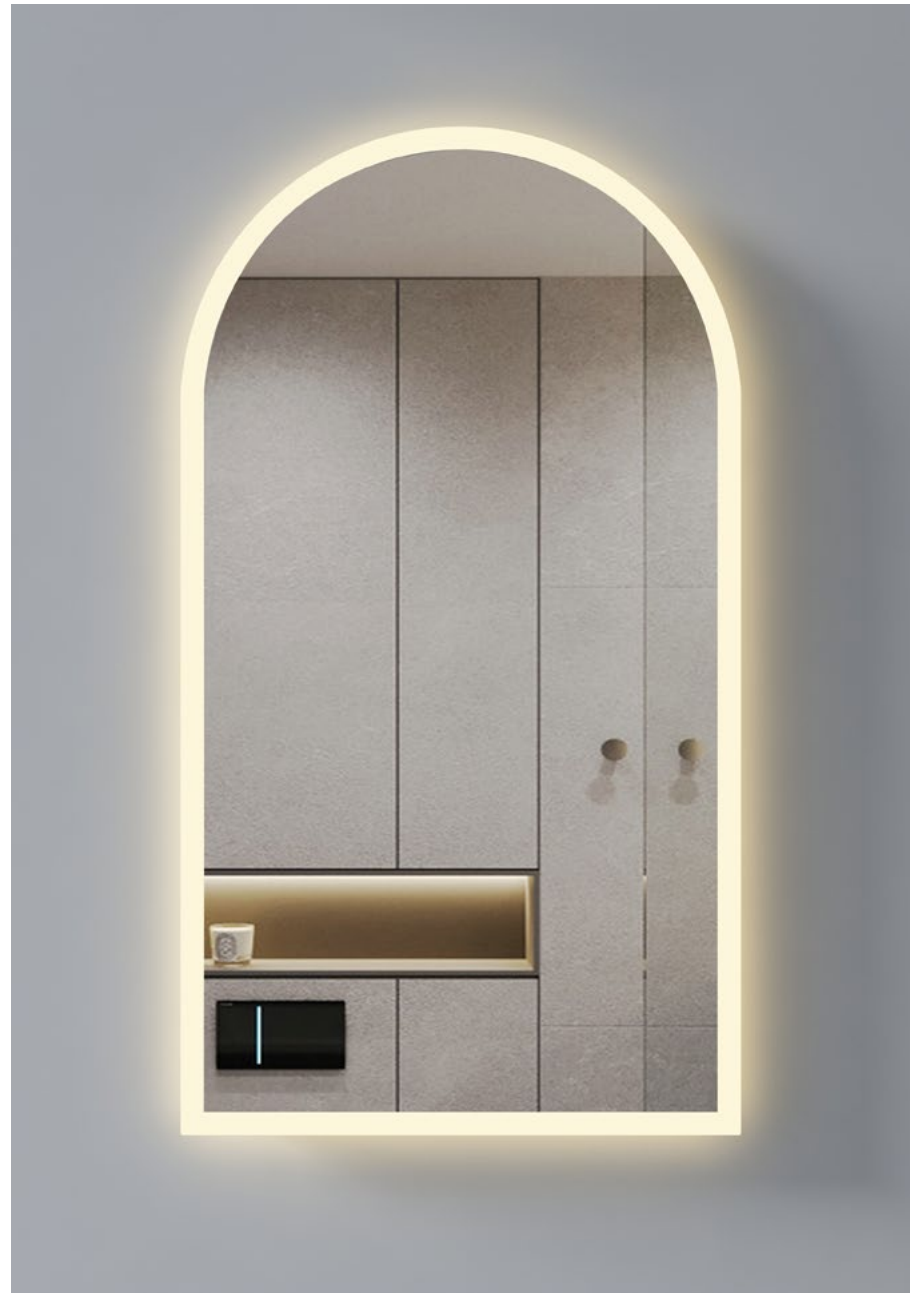
Beau Monde LED Mirror

- LMMB-450: 450x900mm
- LMBM-450-BZ: 453x903mm
- LMBM-450-BG: 453x903mm
- LMBM-450-BN: 453x903mm
- LMBM-450-GM: 453x903mm
- LMBM-450-MW: 453x903mm
- LMBM-450-MB: 453x903mm

QUALITY COLOURED STAINLESS STEEL FRAME

- Brushed Bronze PVD
- Brushed Gold PVD
- Brushed Nickel PVD
- Gun Metal PVD
- Matte White
- Matte Black



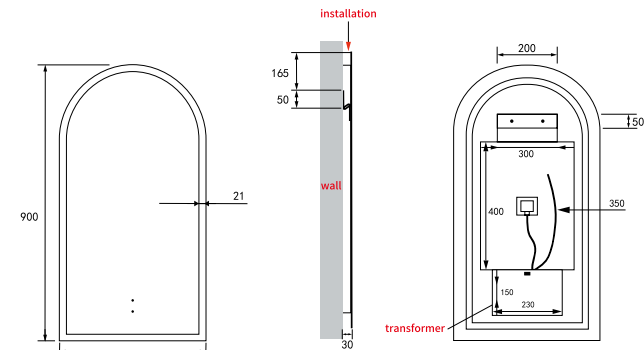
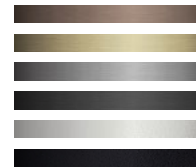


Canterbury LED Mirror

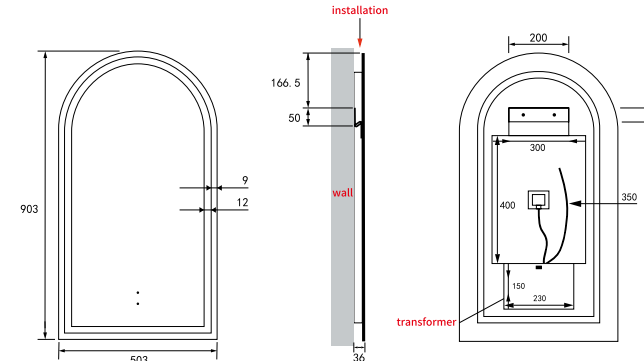
- LMCAN-550: 550x900mm
- LMCAN-550-BZ: 503x903mm
- LMCAN-550-BG: 503x903mm
- LMCAN-550-BN: 503x903mm
- LMCAN-550-GM: 503x903mm
- LMCAN-550-MW: 503x903mm
- LMCAN-550-MB: 503x903mm

QUALITY COLOURED STAINLESS STEEL FRAME

- Brushed Bronze PVD
- Brushed Gold PVD
- Brushed Nickel PVD
- Gun Metal PVD
- Matte White
- Matte Black



Size: 500x900x30mm



Size: 503x903x36mm



Windsor LED Mirror

- LMWIN-700: 700mm Dia
- LMWIN-900: 900mm Dia

FEATURES AND BENEFITS

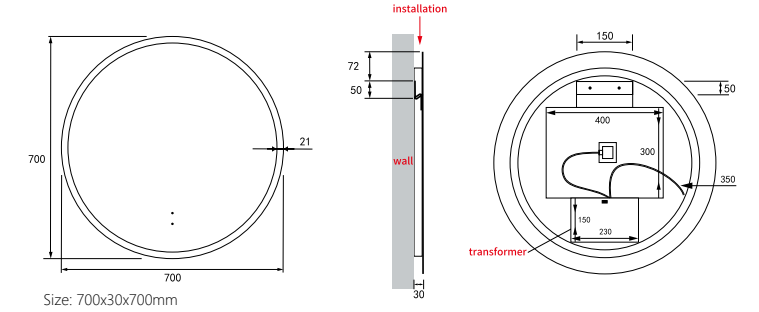
- Copper free mirror
- Touchless Sensor
- Backlit
- Auto demister
- Stepless dimmable
- Auto cut-off in 1.5 hours

LIGHTING SPECIFICATIONS

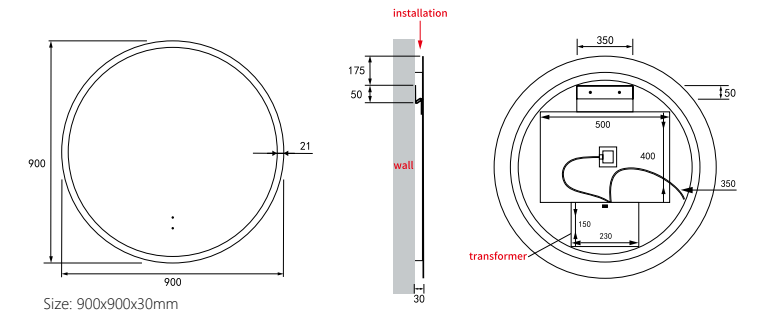
- CCT: 6000K – 4000K – 3000K
- CRI: >80
- IP Rating: IP44

INSTALLATION

- Wall mount
- Hardwire
- Input voltage: 220-240v 50Hz



Size: 700x30x700mm



Size: 900x900x30mm

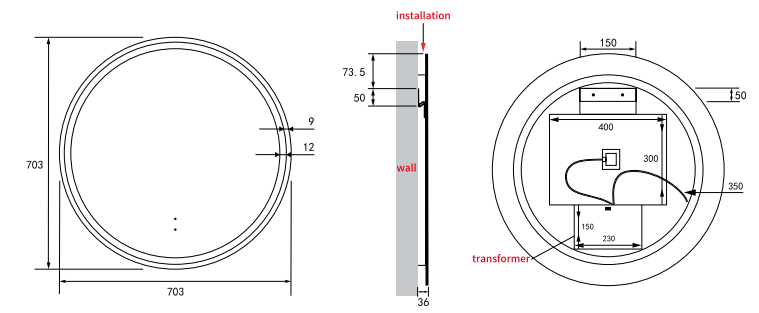


Windsor framed LED Mirror

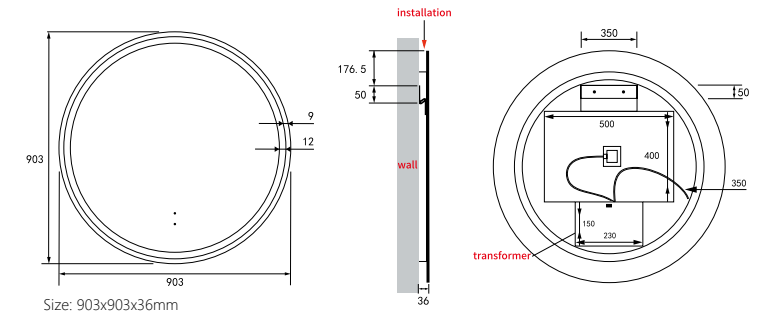
- LMWIN-700-BZ: 703mm Dia
- LMWIN-700-BG: 703mm Dia
- LMWIN-700-BN: 703mm Dia
- LMWIN-700-GM: 703mm Dia
- LMWIN-700-MW: 703mm Dia
- LMWIN-700-MB: 703mm Dia
- LMWIN-900-BZ: 903mm Dia
- LMWIN-900-BG: 903mm Dia
- LMWIN-900-BN: 903mm Dia
- LMWIN-900-GM: 903mm Dia
- LMWIN-900-MW: 903mm Dia
- LMWIN-900-MB: 903mm Dia

QUALITY COLOURED STAINLESS STEEL FRAME

- Brushed Bronze PVD
- Brushed Gold PVD
- Brushed Nickel PVD
- Gun Metal PVD
- Matte White
- Matte Black



Size: 703x36x703mm



Size: 903x903x36mm

Frameless LED Shaving Cabinet Series



Concealed wire

Durable

LED SHAVING CABINETS

FEATURES AND BENEFITS

- Concealed wire
- Copper free mirror
- Touchless Sensor
- Frontlit
- Auto demister
- Stepless dimmable
- Auto cut-off in 1.5hours
- Adjustable shelf

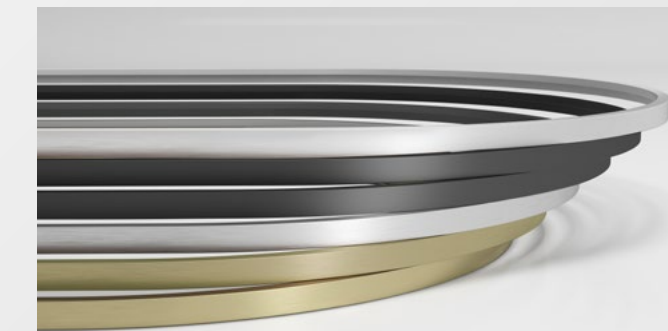
LIGHTING SPECIFICATIONS

- CCT: 6000K – 4000K – 3000K
- CRI: >80
- IP Rating: IP44

INSTALLATION

- Wall mount
- Hardwire
- Input voltage: 220-240v 50Hz

PVD COATED QUALITY COLOURED STAINLESS STEEL FRAME



- Smooth Frame with no visible seam
- Colour matched tapware
- 1.5cm frame with halo glow



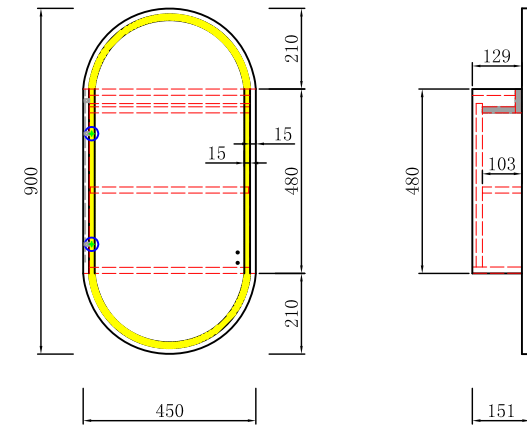


Beau Monde LED Shaving Cabinet

LSCBM-450-MIA: 450x900x151mm
 LSCBM-450-MW: 450x900x151mm



MATTE WHITE MIA MATTE WHITE

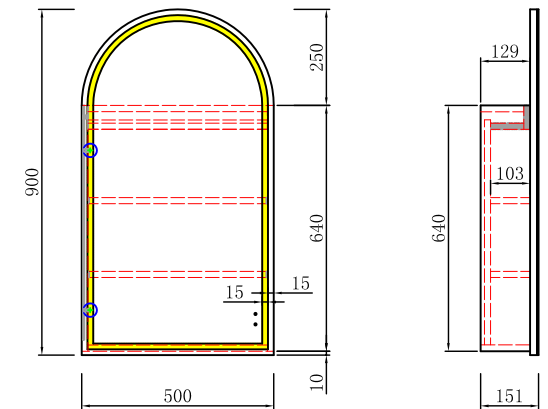


Canterbury LED Shaving Cabinet

LSCCAN-500-CR: 500x900x151mm
 LSCCAN-500-MIA: 500x900x151mm
 LSCCAN-500-MW: 500x900x151mm



CARITA MIA MATTE WHITE



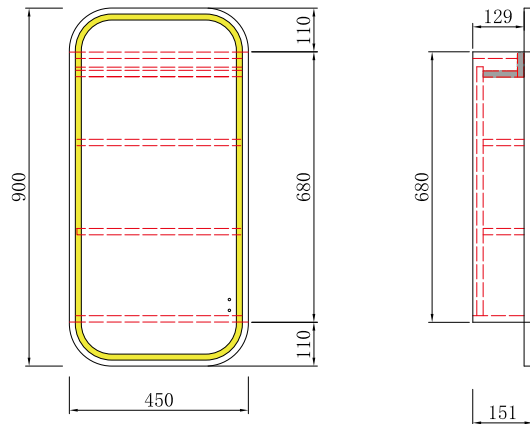


Vienna LED Shaving Cabinet

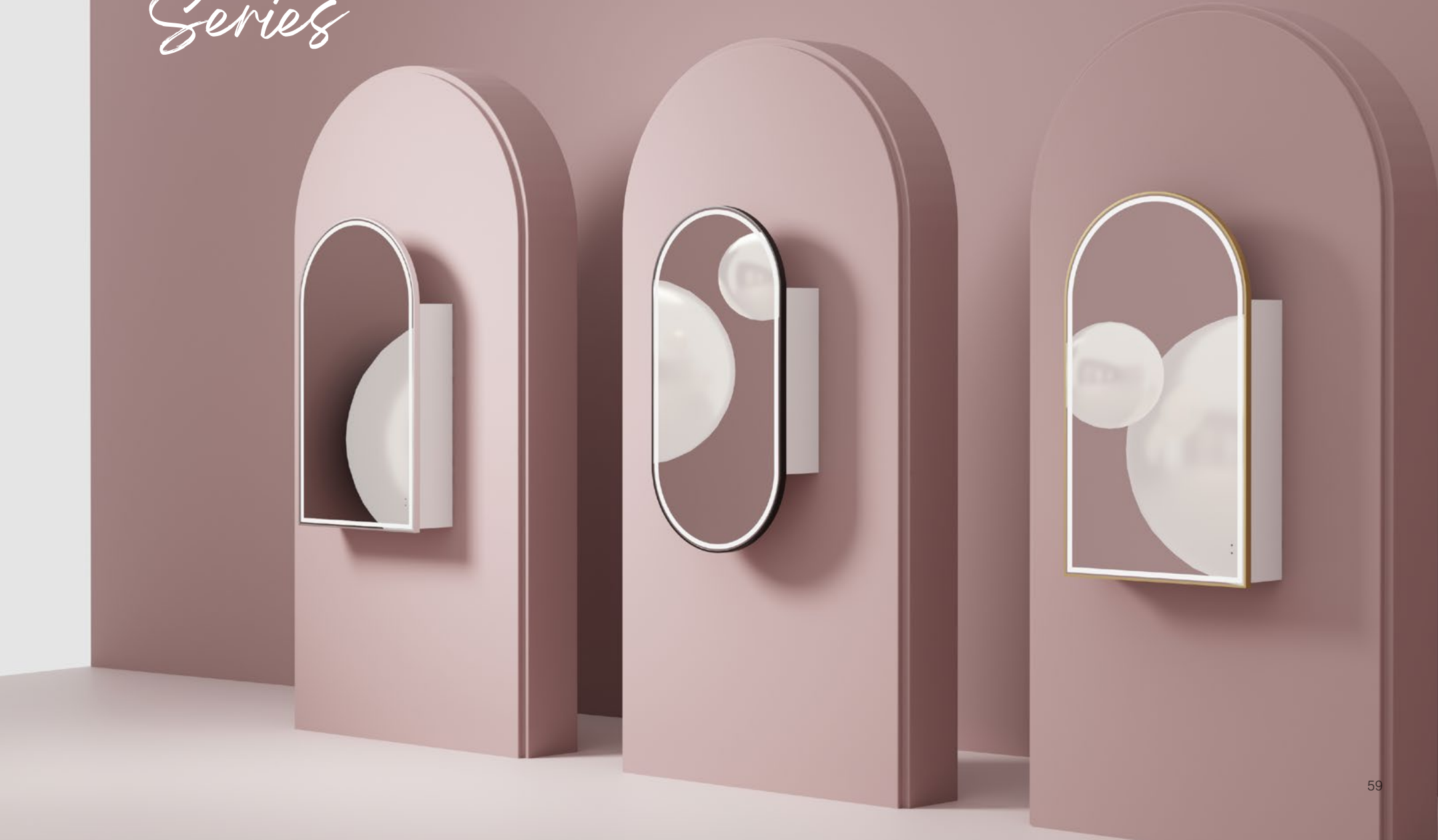
LSCVIE-450-MW: 450x900x151mm



MATTE WHITE



Framed LED Shaving Cabinet Series



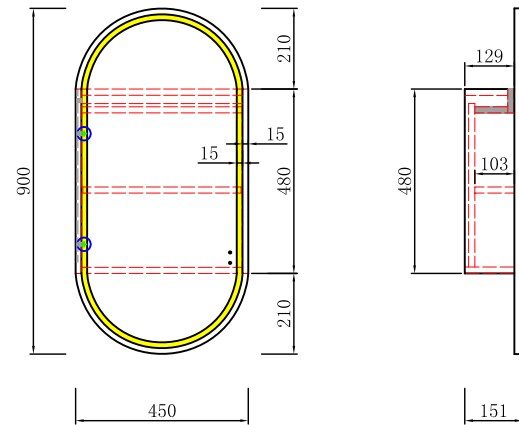


Beau Monde Framed LED Shaving Cabinet

LSCBM-450-MW-BG: 450x900x151mm
 LSCBM-450-MW-BN: 450x900x151mm
 LSCBM-450-MW-MB: 450x900x151mm

QUALITY COLOURED STAINLESS STEEL FRAME

Brushed Gold PVD 
 Brushed Nickel PVD 
 Matte Black 

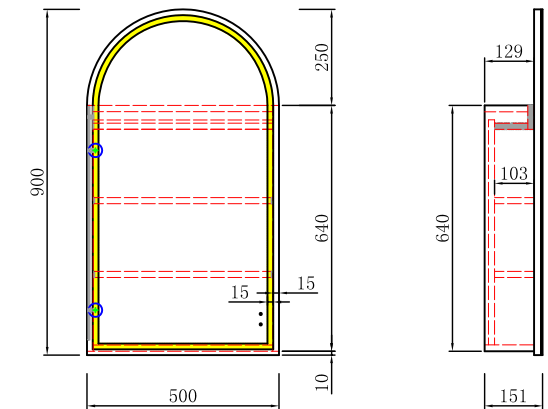


Canterbury Framed LED Shaving Cabinet

LSCCAN-500-MW-BG: 500x900x151mm
 LSCCAN-500-MW-BN: 500x900x151mm
 LSCCAN-500-MW-MB: 500x900x151mm

QUALITY COLOURED STAINLESS STEEL FRAME

Brushed Gold PVD 
 Brushed Nickel PVD 
 Matte Black 



BENCH TOPS



Model: CATO Quartz Stone with undermount basin 1 tap hole

Code: ST26-600: 600x460mm ST26-1500S: 1500x460mm
 ST26-750: 750x460mm ST26-1500D: 1500x460mm
 ST26-900: 900x460mm ST26-1800D: 1800x460mm
 ST26-1200: 1200x460mm



Model: PURE Quartz Stone with undermount basin 1 tap hole

Code: ST56-600: 600x460mm ST56-1500S: 1500x460mm
 ST56-750: 750x460mm ST56-1500D: 1500x460mm
 ST56-900: 900x460mm ST56-1800D: 1800x460mm
 ST56-1200: 1200x460mm



Model: SNOW Quartz Stone with undermount basin 1 tap hole

Code: ST46-600: 600x460mm ST46-1200: 1200x460mm
 ST46-750: 750x460mm ST46-1500S: 1500x460mm
 ST46-900: 900x460mm ST46-1500D: 1500x460mm



Model: ALPINE Quartz Quartz stone with undermount basin 1 tap hole

Code: ST86-600: 600x460mm ST86-1200: 1200x460mm
 ST86-750: 750x460mm ST86-1500: 1500x460mm
 ST86-900: 900x460mm ST86-1800: 1800x460mm

BENCH TOPS



Model: CATO Quartz Flat stone top without hole

Code: ST26FTNH-600: 600x460x20mm ST26FTNH-1200: 1200x460x20mm
 ST26FTNH-750: 750x460x20mm ST26FTNH-1500: 1500x460x20mm
 ST26FTNH-900: 900x460x20mm ST26FTNH-1800: 1800x460x20mm

Curved tops refer to price book



Model: SNOW Quartz Flat stone top without hole

Code: ST46FTNH-600: 600x460x20mm ST46FTNH-1200: 1200x460x20mm
 ST46FTNH-750: 750x460x20mm ST46FTNH-1500: 1500x460x20mm
 ST46FTNH-900: 900x460x20mm

Curved tops refer to price book



Model: PURE Quartz Flat stone top without hole

Code: ST56FTNH-600: 600x460x20mm ST56FTNH-1200: 1200x460x20mm
 ST56FTNH-750: 750x460x20mm ST56FTNH-1500: 1500x460x20mm
 ST56FTNH-900: 900x460x20mm ST56FTNH-1800: 1800x460x20mm

Curved tops refer to price book



Model: ALPINE Quartz Flat stone top without hole

Code: ST86FTNH-600: 600x460x20mm ST86FTNH-1200: 1200x460x20mm
 ST86FTNH-750: 750x460x20mm ST86FTNH-1500: 1500x460x20mm
 ST86FTNH-900: 900x460x20mm ST86FTNH-1800: 1800x460x20mm

Curved tops refer to price book

BENCH TOPS



Model: PALIS WHITE Quartz Flat quartz stone top without hole
Code: ST66FTNH-600: 600x460x20mm ST66FTNH-1200: 1200x460x20mm
 ST66FTNH-750: 750x460x20mm ST66FTNH-1500: 1500x460x20mm
 ST66FTNH-900: 900x460x20mm ST66FTNH-1800: 1800x460x20mm

Curved tops refer to price book



Model: CRYSTAL Ceramic top with 1 tap hole
Code: CT28-600: 600x460mm CT28-1200: 1200x460mm
 CT28-750: 750x460mm CT28-1500S: 1500x460mm
 CT28-900: 900x460mm CT28-1500D: 1500x460mm



Model: MINI Ceramic top with 1 tap hole
Code: CT27-600: 600x360mm
 CT27-750: 750x360mm
 CT27-900: 900x360mm

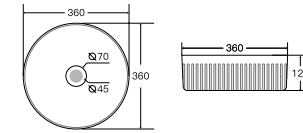


Model: GALA Ceramic top with 1 tap hole
Code: CT26-465: 465x260mm

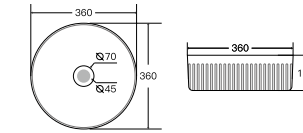
BASINS



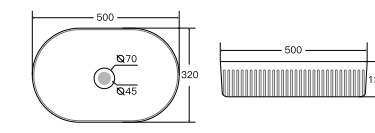
Model: LILAC GLOSS WHITE
Code: XECB-097GW
 360x360x120mm



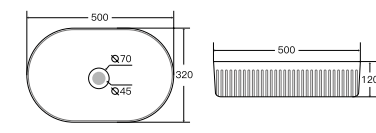
Model: LILAC MATTE WHITE
Code: XECB-098MW
 360x360x120mm



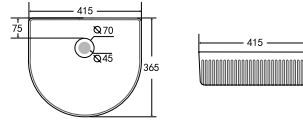
Model: CADEL GLOSS WHITE
Code: XECB-099GW
 500x320x120mm



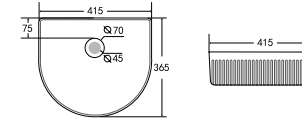
Model: CADEL MATTE WHITE
Code: XECB-100MW
 500x320x120mm



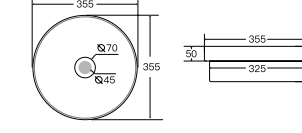
Model: CYRUS GLOSS WHITE
Code: XECB-101GW
 415x365x120mm



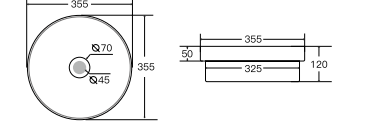
Model: CYRUS MATTE WHITE
Code: XECB-102MW
 415x365x120mm



Model: LENA GLOSS WHITE
Code: XECB-095GW
 355x355x120mm

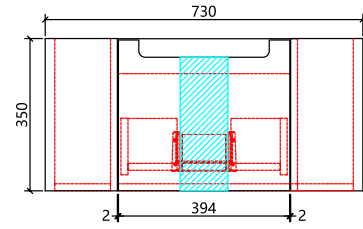


Model: LENA MATTE WHITE
Code: XECB-096MW
 355x355x120mm

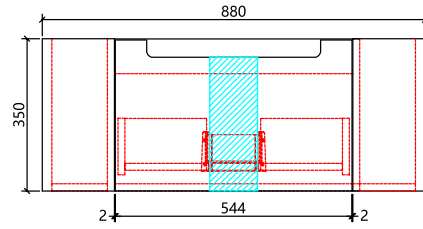


SAVIO WALL HUNG

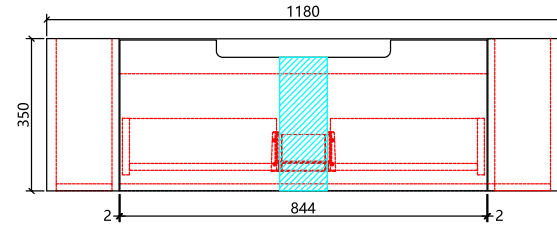
CAWH45-750



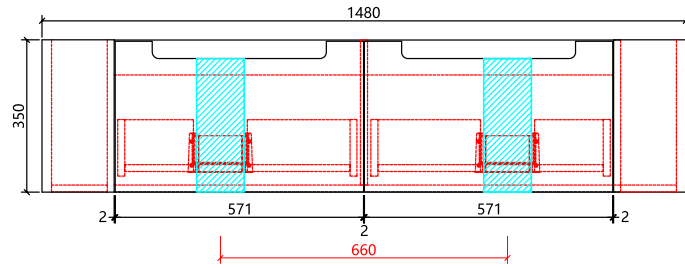
CAWH45-900



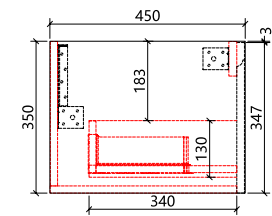
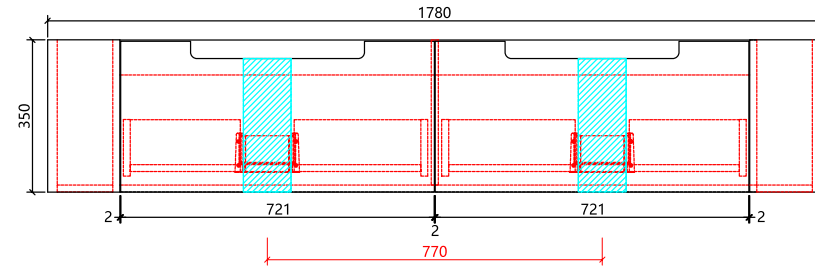
CAWH45-1200



CAWH45-1500



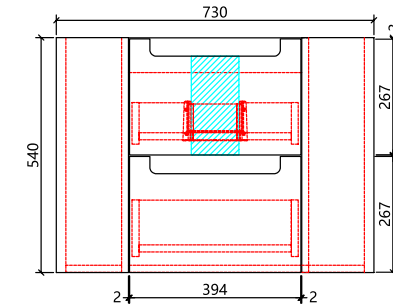
CAWH45-1800



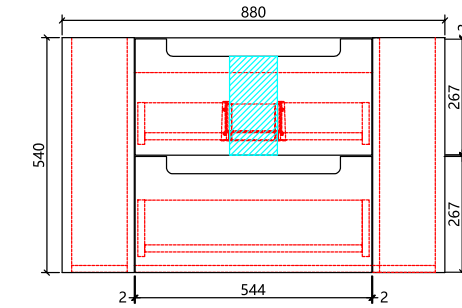
SIDE VIEW

CURVA WALL HUNG

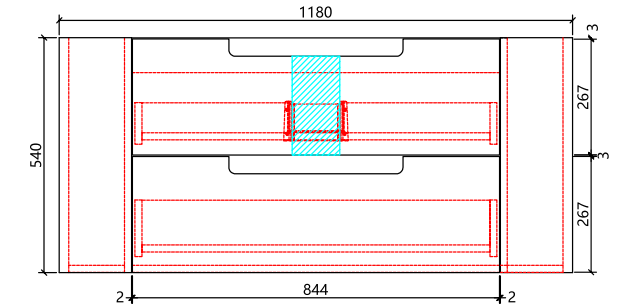
CAWH46-750



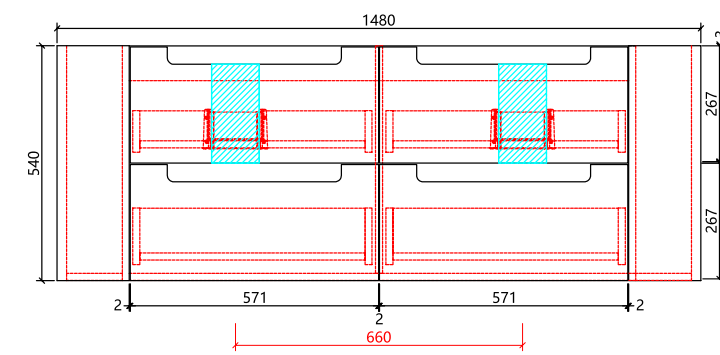
CAWH46-900



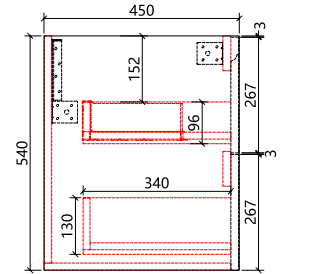
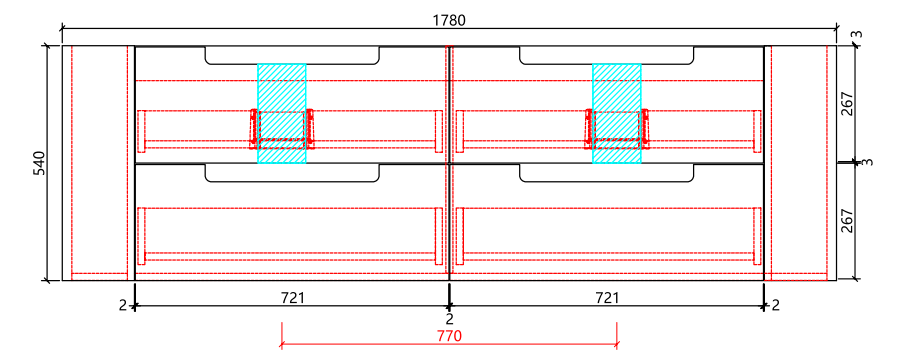
CAWH46-1200



CAWH46-1500



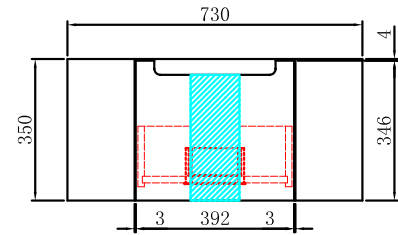
CAWH46-1800



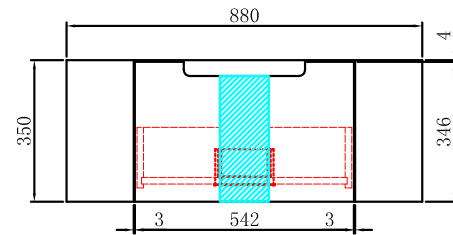
SIDE VIEW

CARITA WALL HUNG

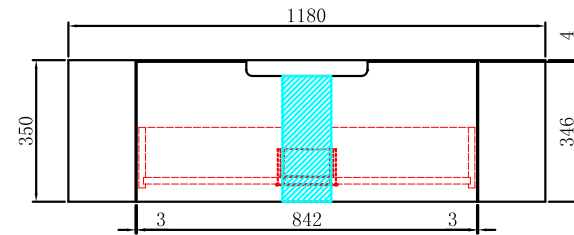
CAWH47-750



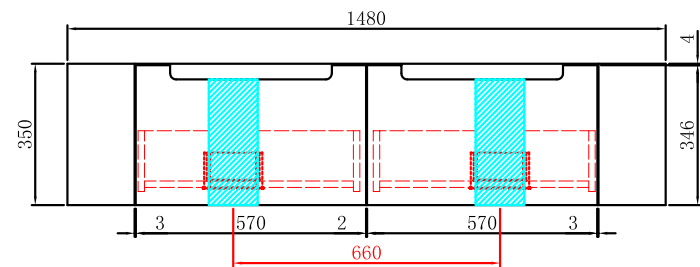
CAWH47-900



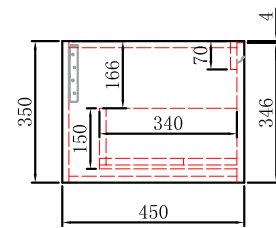
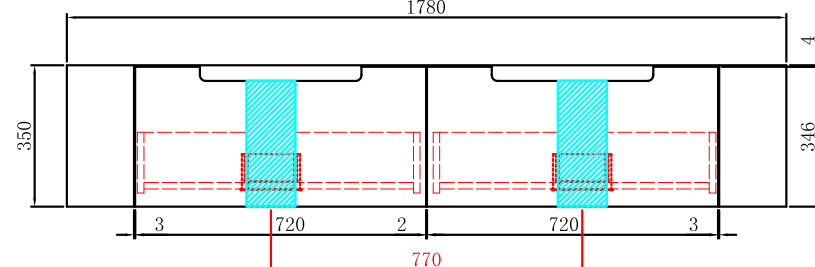
CAWH47-1200



CAWH47-1500



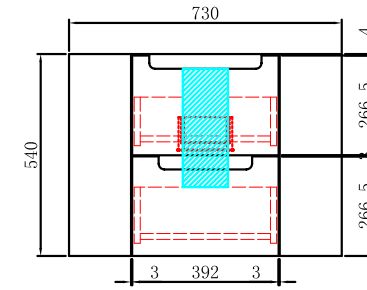
CAWH47-1800



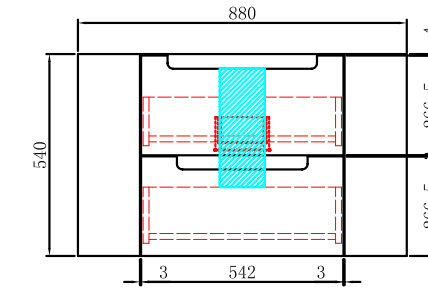
SIDE VIEW

BRIONY WALL HUNG

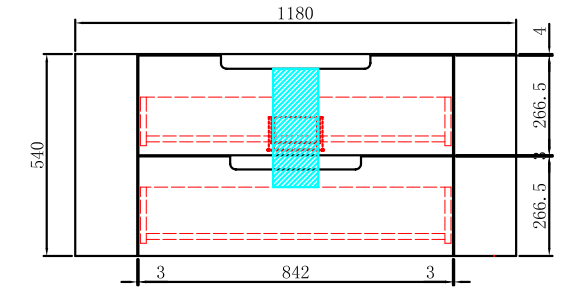
CAWH48-750



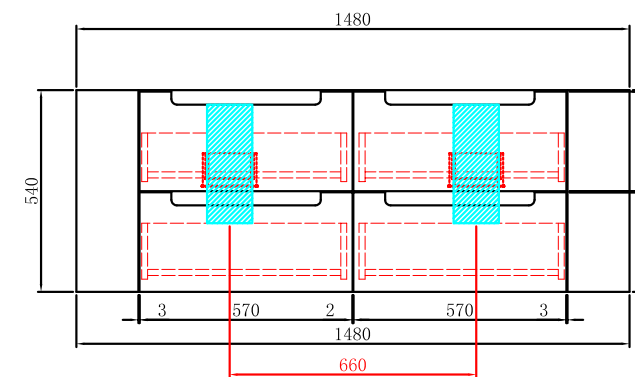
CAWH48-900



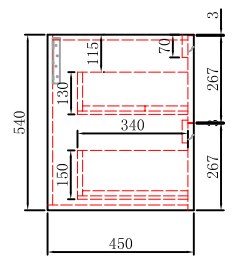
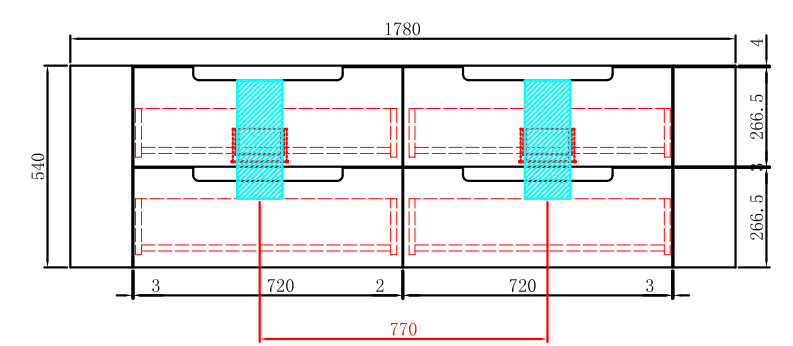
CAWH48-1200



CAWH48-1500

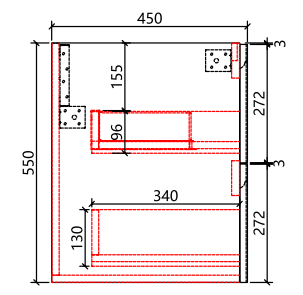
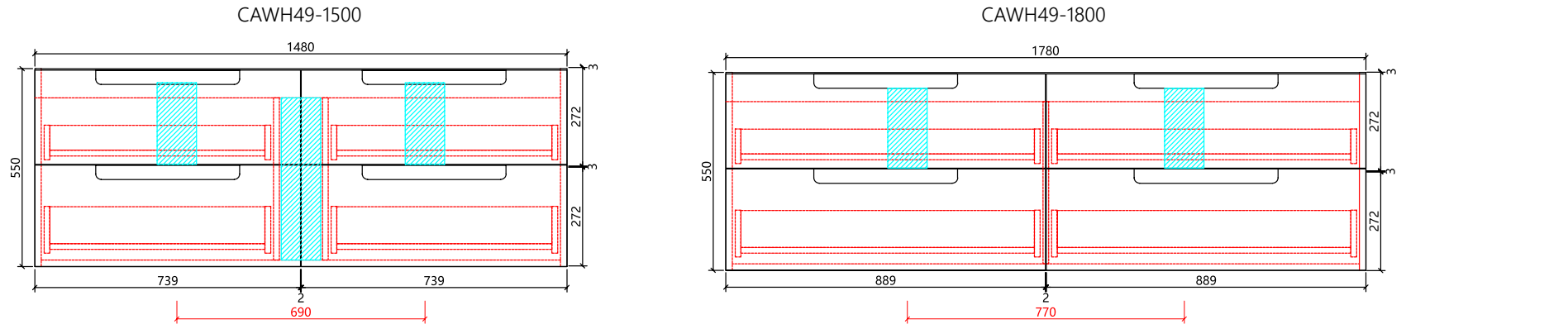
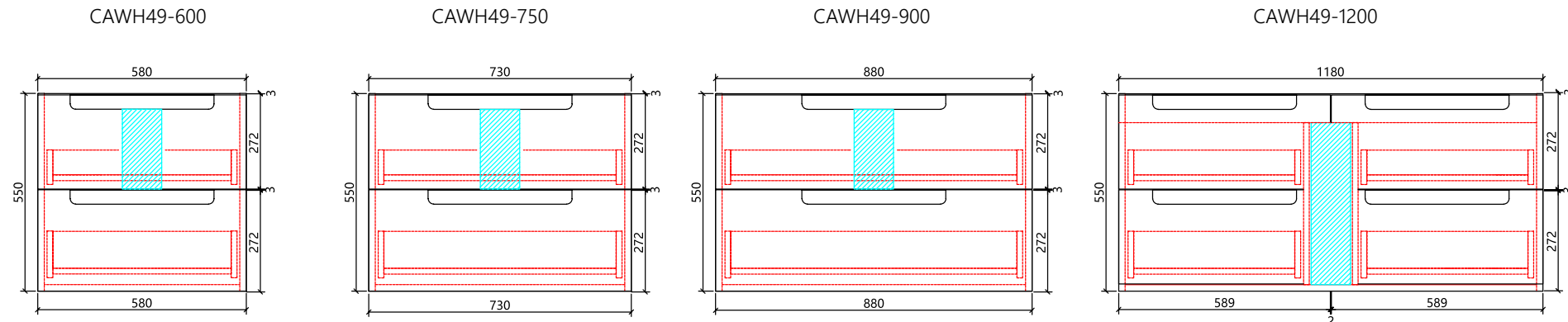


CAWH48-1800



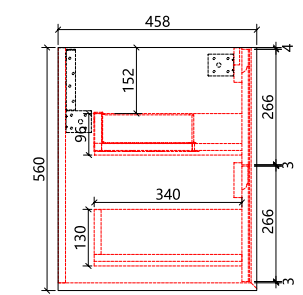
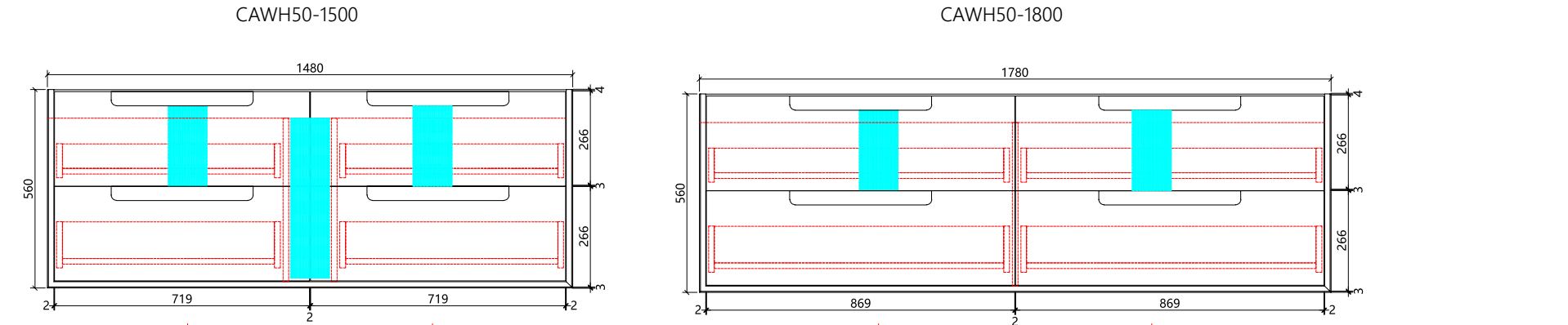
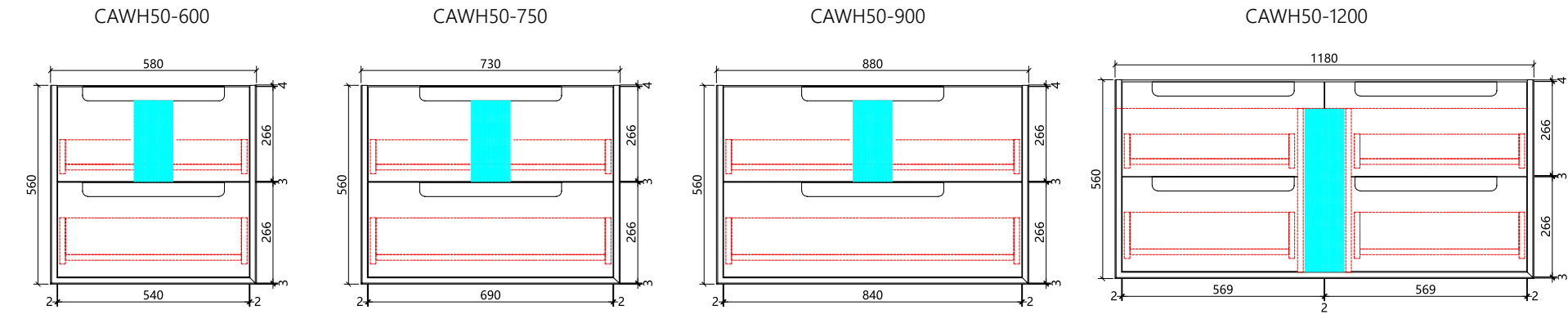
SIDE VIEW

NEVA WALL HUNG



SIDE VIEW

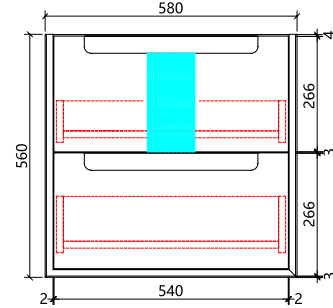
FLAUTO WALL HUNG



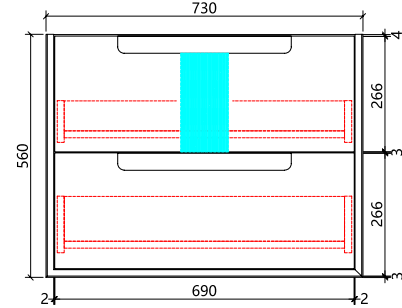
SIDE VIEW

MORENO WALL HUNG

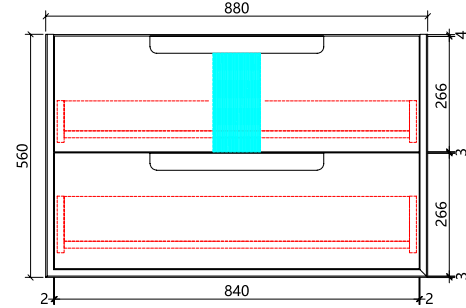
CAWH51-600



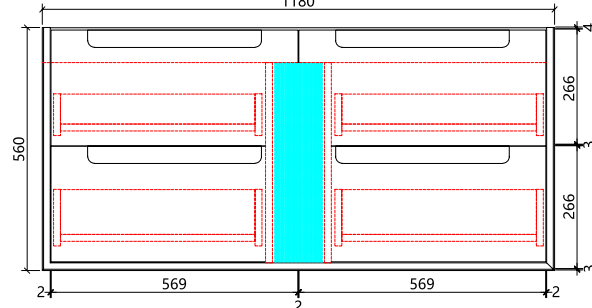
CAWH51-750



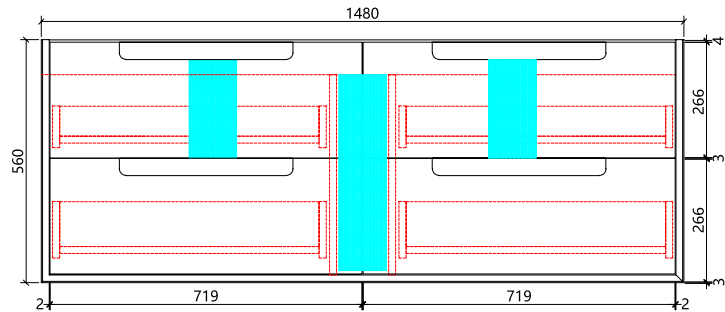
CAWH51-900



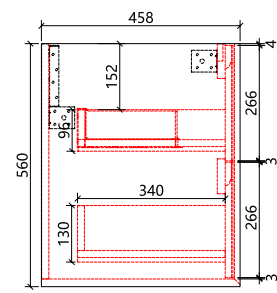
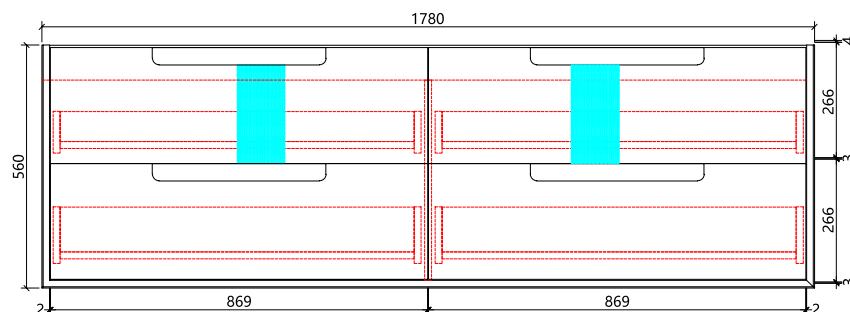
CAWH51-1200



CAWH51-1500



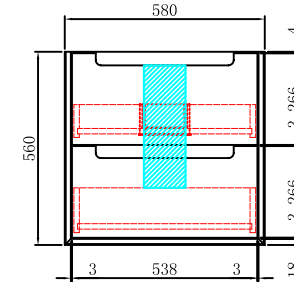
CAWH51-1800



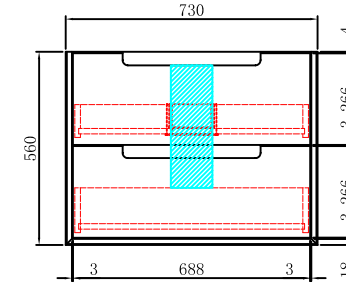
SIDE VIEW

AINSLEY WALL HUNG

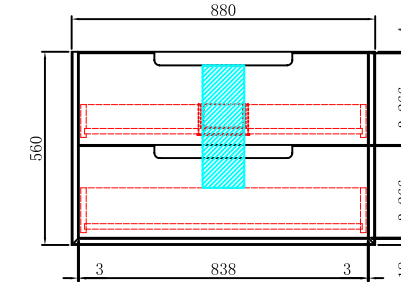
CAWH52-600



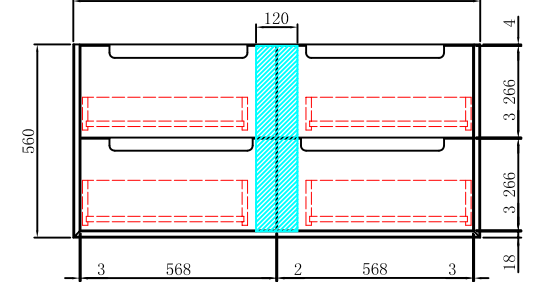
CAWH52-750



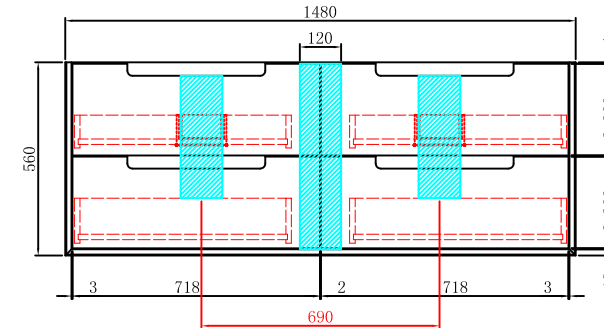
CAWH52-900



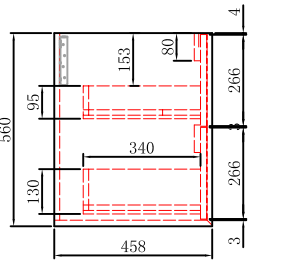
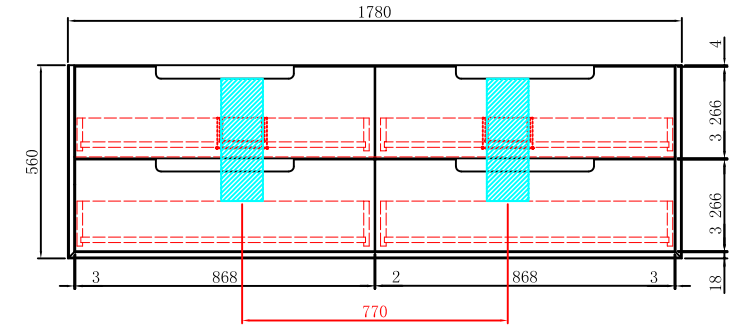
CAWH52-1200



CAWH52-1500



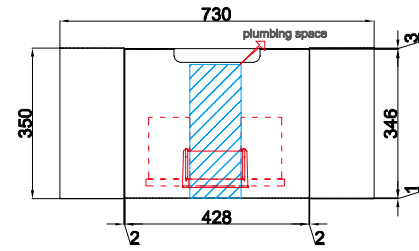
CAWH52-1800



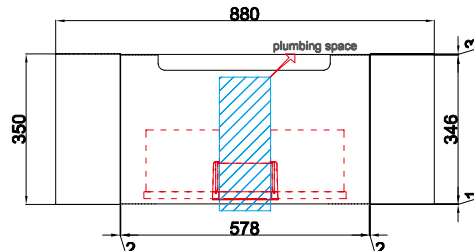
SIDE VIEW

HAMILTON WALL HUNG

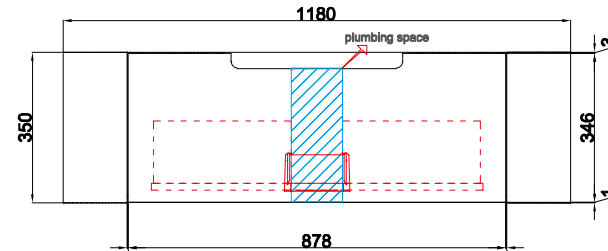
CAWH39-750



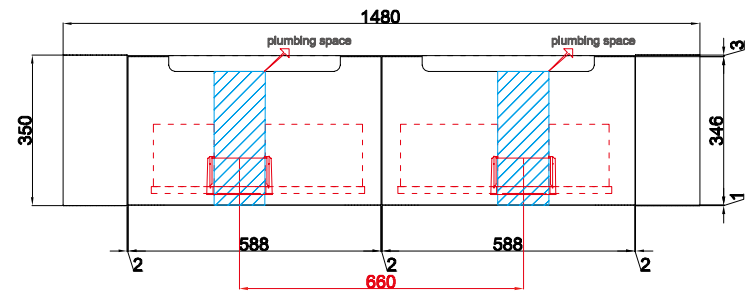
CAWH39-900



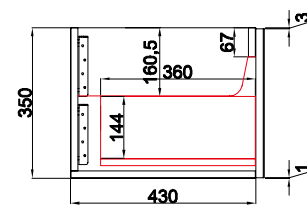
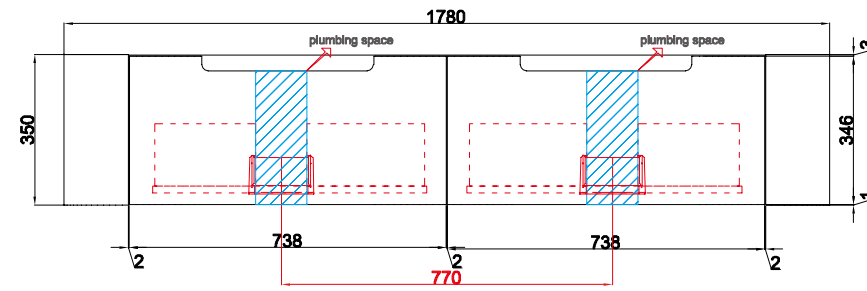
CAWH39-1200



CAWH39-1500



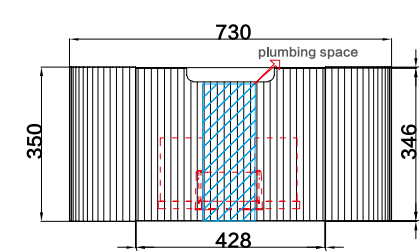
CAWH39-1800



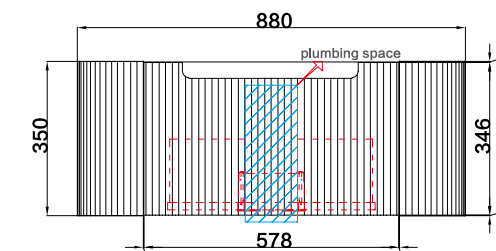
SIDE VIEW

PETRA WALL HUNG MARK II

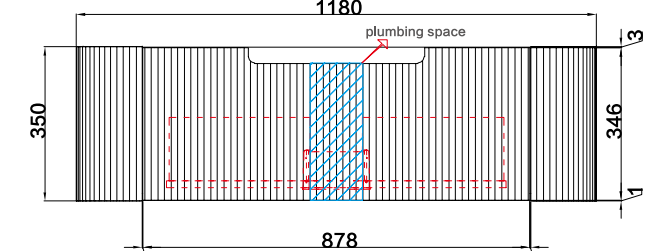
CAWH402-750



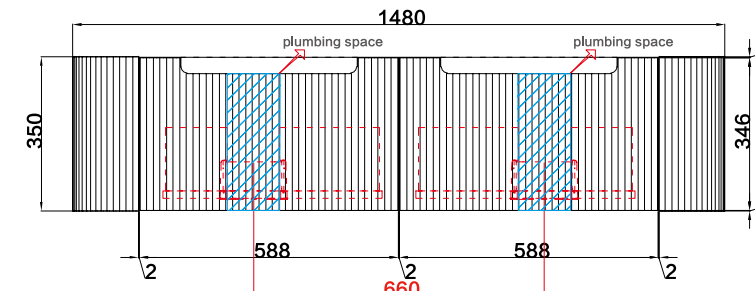
CAWH402-900



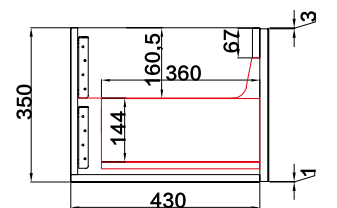
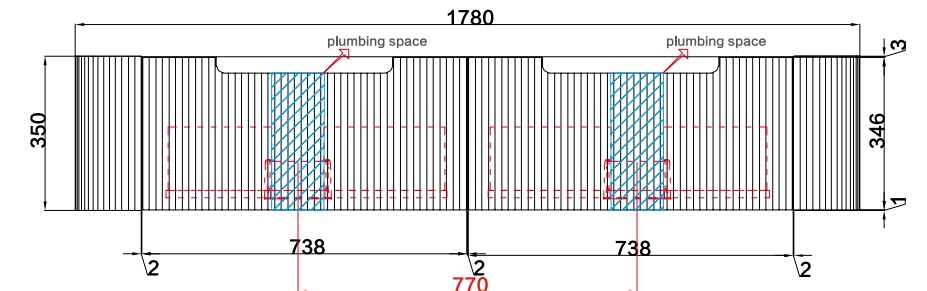
CAWH402-1200



CAWH402-1500

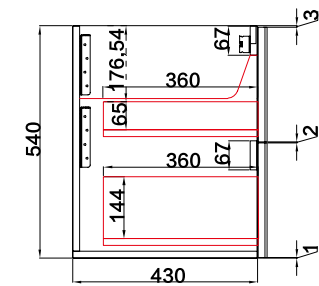
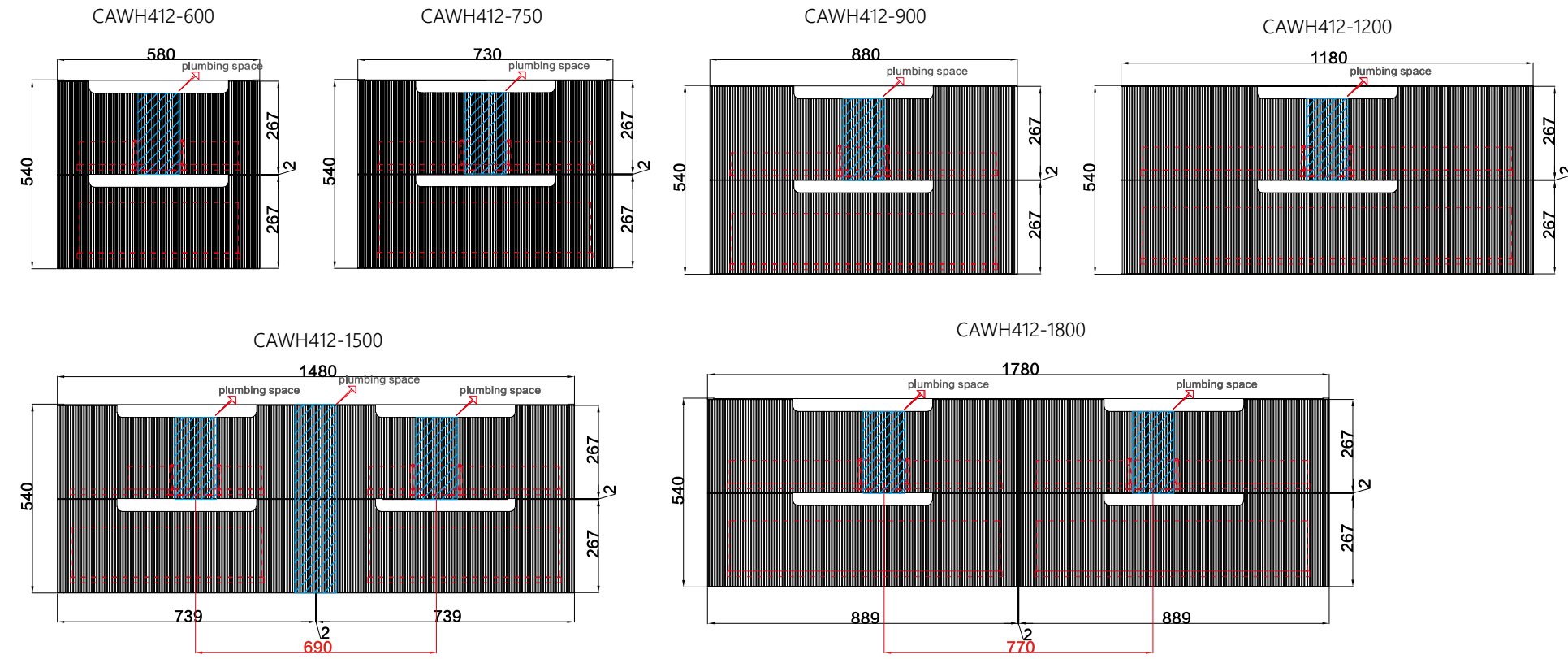


CAWH402-1800



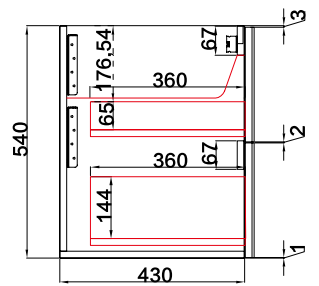
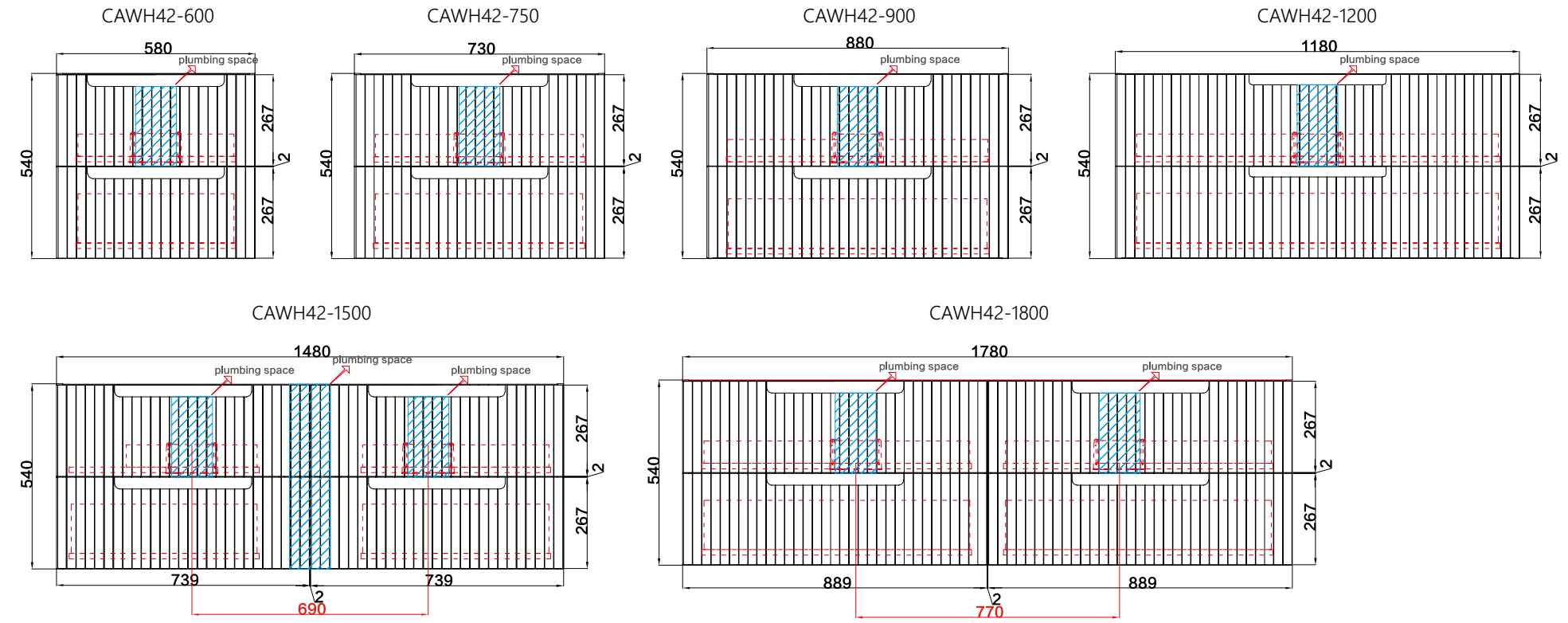
SIDE VIEW

VERONA WALL HUNG MARK II



SIDE VIEW

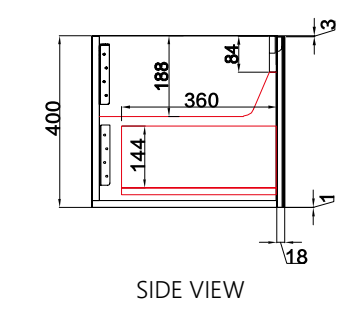
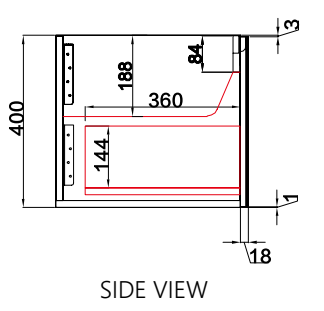
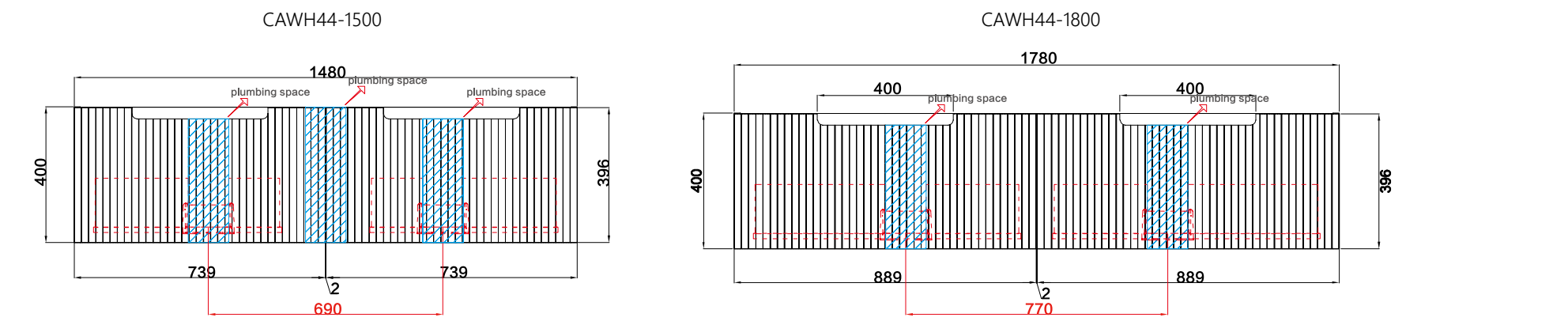
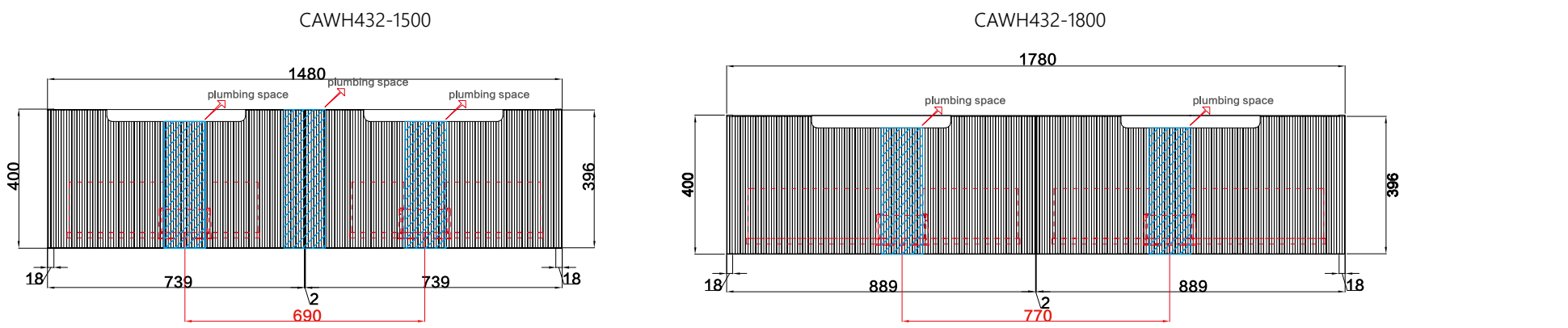
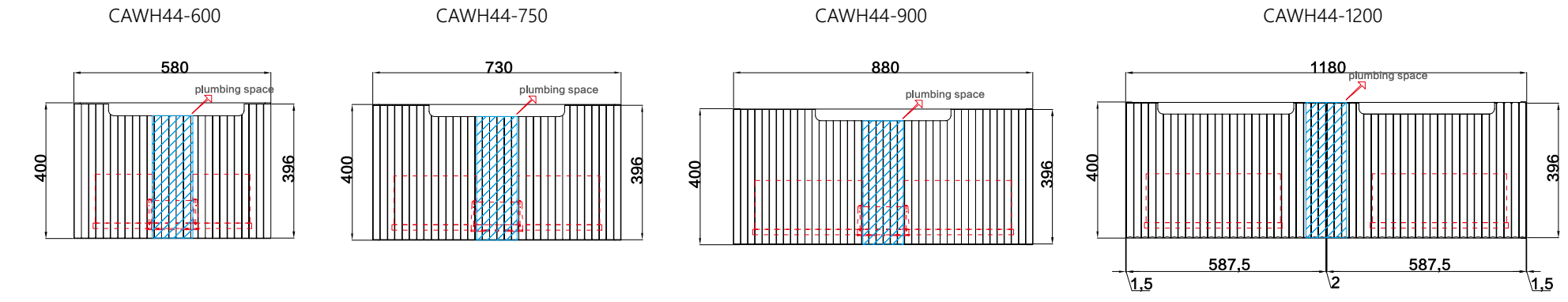
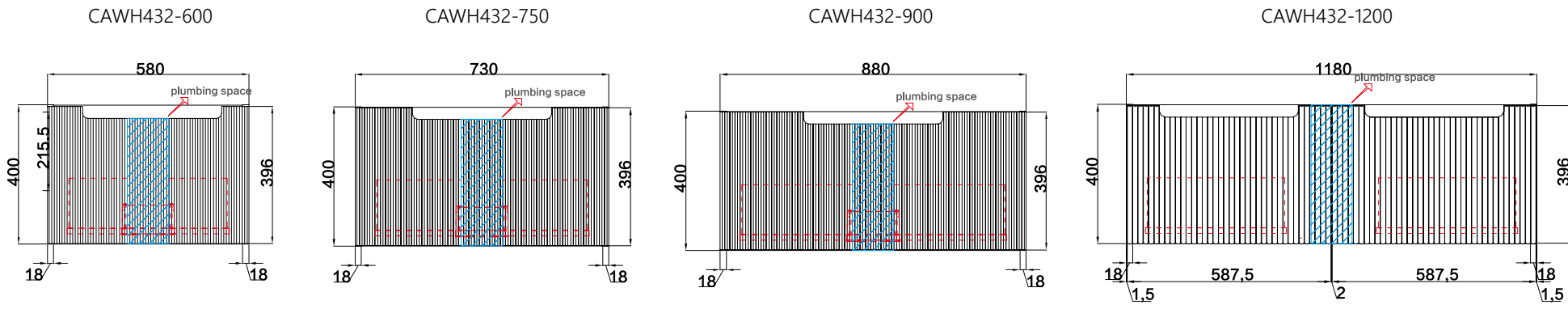
TUSCANA WALL HUNG



SIDE VIEW

PERLA WALL HUNG MARK II

CALDER WALL HUNG



Warranty

Aulic is made to the highest industry standards and quality, referring to table below for warranty periods.

Vanity	Cabinet	10 Years replacement products or parts. 12 Months replacement products or parts & labour
	Top/top with undermount basin	24 Months replacement products or parts 12 Months replacement products or parts & labour
Basin		5 Years replacement products or parts 12 Months replacement products or parts & labour
LED Mirror		5 Years replacement products or parts 12 Months replacement products or parts & labour
Shaving Cabinet LED Shaving Cabinet		5 Years replacement products or parts 12 Months replacement products or parts & labour
Other Products		12 Months replacement products or parts & labour
Commercial Use		12 Months replacement products or parts & labour

Conditions:

1. Installation is made by a LICENSED tradesman.
2. Failure derives from a fault in the quality of the product.
3. Proof of purchase should be provided when making a claim.
4. The product should be installed properly.
5. All cabinets are engineered for Moisture Proof. Wipe any water residue after use.
6. This warranty does not cover scratching, normal wear and tear and desilver on mirrors as these are not manufacturing faults.

To fullest extent under the law, Aulic is not liable for damage to any person or property and any indirect consequence or other loss. Aulic liability does not include the cost of installation or removal of any product and no warranty will be supplied if damage occurs during or after INSTALLATION or a damaged or incorrect part has been installed. The warranty does not cover the issue by improper installation; accident; misuse; abuse; negligence; installation or part installation by the purchaser or any person other than a LICENCED tradesman; excessive wear and tear; improper care and maintenance; excessive heat damage or harsh detergents or other cleaners used on products; chemical, electrochemical or electrical influences and natural causes.

In case of dispute, Aulic reserves the right of final decision on the interpretation of these terms and conditions.