

9661C
NEW AGE



RADIOCONTROL

9661C

FERRARI

PASSION FOR LIFTING

9661C



Extension Quick System and Smart Extension Sequence
Fast, precise, safe

Heavy duty hook attachment
Ruggedness and durability in all applications

Link on second boom
Boom negative angle allows access to confined spaces

Link on column
Constant lifting capacity on all main boom positions

Break the boundaries in performance and safety

Endless slewing
Efficient use in all the vehicle positions

Ergonomic control station and user-friendly interface
Comfortable, convenient and safe

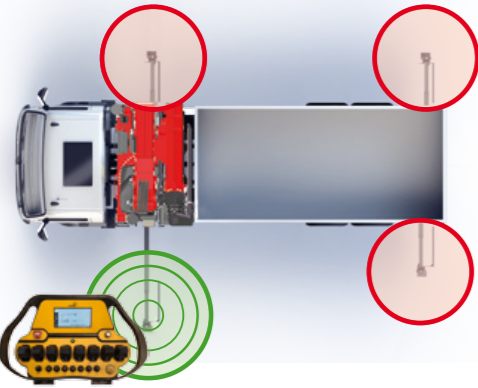
Always stable
More than 40 stabilizer combinations available



Breaking through innovations

PATENTED

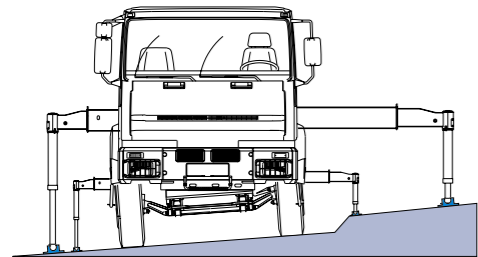
Operator Auto Detection



Detection and automatic activation of the operator's closest stabilizer.
The PDM (Proximity Detection Module) installed on each stabilizer allows to automatically activate the operator's closest stabilizer, avoiding potential human error.

- Enhanced Safety
- Time Saving
- Huddle Free

Auto Levelling System



Keep truck horizontal for best crane's performance.
This system automatically keeps the truck frame in horizontal position, enabling the crane to perform always at its best.

- Increased efficiency
- Enhanced safety
- More reliability

Dynamic Load Diagram



Crane lifting capacity always under control in all stabilizer positions.
After the truck has been stabilized, the operator selects the load weight to be lifted. The display shows the permitted crane outreach based on the truck stability and load selected.

- Improved efficiency
- Easy to use
- Optimised safety

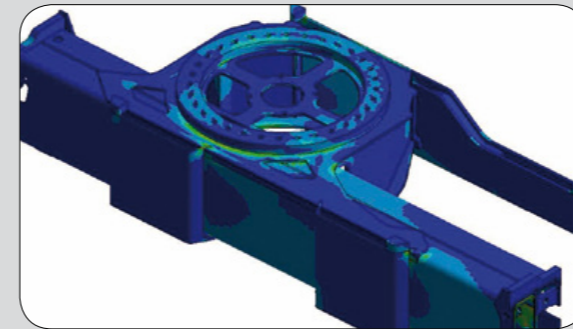
Magic Touch



Crane Automatic folding/unfolding.
This system allows the operator to unfold the crane to a working position and fold the crane from any position to transport position by pressing a single button on the radio transmitter or display.

- Easy to start and close
- Time saving
- Increased productivity and safety

High-tech development



- Structures optimised for strength, weight and speed

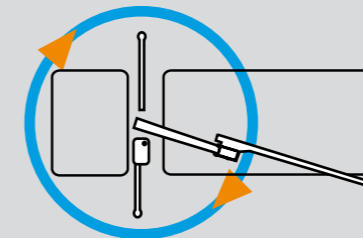
Top Protection



- High value retention
- Top reliability

Endless performance

Continuous rotation and extreme flexibility
Endless slewing allows the crane to be operated without restrictions. The complete access to the working area, eliminates the need to reposition the truck, optimizing precision, productivity and safety.

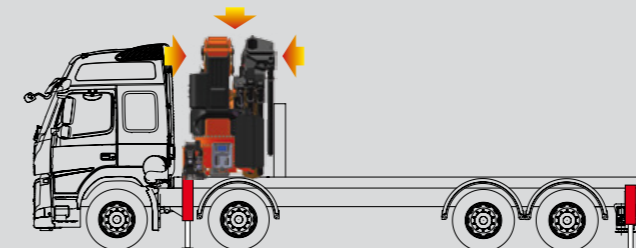


- Top efficiency
- Easy to use

Compact architecture

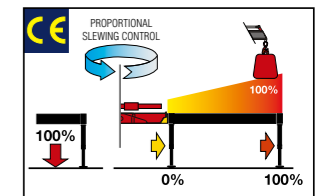
Uniquely designed to reduce the space occupancy behind the cabin made for increasing payload and truck floor area

- 9661C crane is the strongest in its range + 63.2 tm



Crane control system

F4XL + TOP



A 7" color display with integrated keyboard gives the operator a higher level of awareness of the crane operation and allows selection of the best parameters for effective use. The system detects the exact position of the beams and proportionally calculates the stability.

Wide range Radio selection (Standard)



Hetronic CE Basic



Scanreco



Hetronic CE Graphic

Powered by

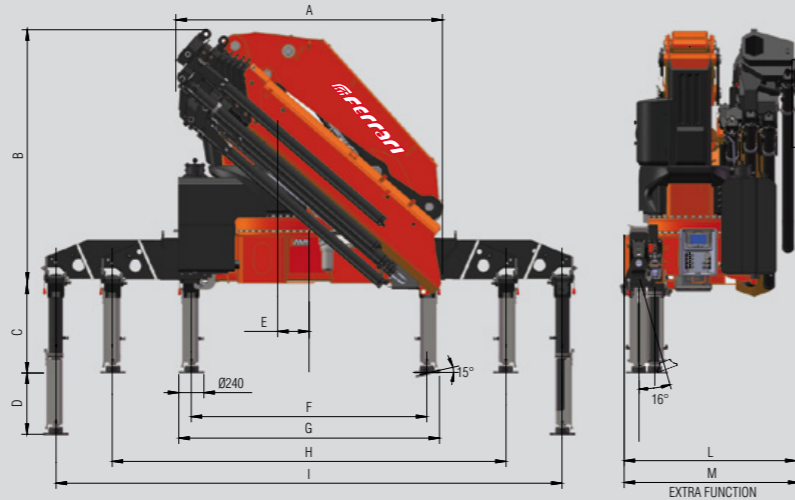
Danfoss



FERRARI

9661C Technical data

	Lifting Moment	Slewing Angle	Working pressure	Oil tank capacity	Max Oil flow	Max lifting height	Standard crane weight
	tm	°	bar	l	l/min	m	kg
A2	63,2	endless	365	250	100	11,9	5375
A4	-	endless	365	250	100	15,9	5940
A6	-	endless	365	250	100	20,3	6470
A8	-	endless	365	300	100	24,7	6880
A6J1206	-	endless	-	250/300	100	33,8	7660
A6J2006	-	endless	-	250/300	100	33,8	7960



	A2	A4	A6	A8	A6J1206	A6J2006
A	2530	2530	2530	2550	2550	2550
B	2430	2430	2430	2430	2780	2740
C	860	860	860	860	860	860
D	586	586	586	586	586	586
E	300	300	300	300	300	300
F	2255	2255	2255	2255	2255	2255
G	2495	2495	2495	2495	2495	2495
H	6660	6660	6660	6660	6660	6660
I	8670	8670	8670	8670	8670	8670
L	1480	1480	1480	1635	1665	1665
M	1585	1585	1585	1690	-	-

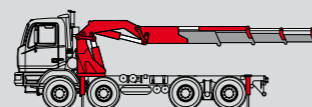
A2		kg 63240 14435 10250 7955 m 1,00* 4,30 6,10 7,95
A4		kg 62200 13650 9615 7370 5885 4920 3625 3135 2370 2115 m 1,00* 4,41 6,21 8,01 9,95 11,91 14,03 16,13 18,47 20,65
A6		kg 57570 12995 8980 6760 5290 4330 3625 3135 2370 2115 1700 1350 m 1,00* 4,43 6,23 8,05 10,00 11,93 14,03 16,13 18,47 20,65 22,80 24,95
A8		kg 56270 12180 8390 6265 4830 3895 3205 2720 2370 2115 1700 1350 m 1,00* 4,62 6,42 8,25 10,20 12,15 14,25 16,35 18,47 20,65 22,80 24,95
A6 J1206		kg 1490 1320 1200 1100 1020 940 880 650 m 19,60 21,25 22,85 24,45 26,15 27,95 29,75 30,95
A6 J2006		kg 1200 1070 960 860 790 730 680 520 m 19,60 21,25 22,85 24,45 26,15 27,95 29,75 30,95

*) theoretical lifting capacity

Standard



- Designed in accordance with EN12999
- Design class: HC1-HD5
- Multifunction radio remote control
- Sauer Danfoss PVG32
- Flanged valves
- One site auxiliary manual controls (on column)
- P-LCS Proportional Lift Control System
- EQS Extension Quick System
- SDV Smooth Descent Valve
- Red Power
- High pressure oil filter
- Load sensing pump predisposition
- Stabilizers control valve
- Hydraulically extendable stabilizers
- Fixed stabilizer cylinders
- Swivel stabilizer foot
- Stability Control System (CE)
- Visual warning device for closed stabilizers (CE)
- F4XL Crane control system (CE) +TOP



Recommended truck M.T.T. ton 42 - G.V.W. ton 42

Transport & logistics



One model for all applications

Building construction



FERRARI

9661C

NEW AGE



ISO 9001 · ISO 14001

Quality and environmental certified



F.lli FERRARI

Via Einstein, 8
42028 Poviglio (RE) Italy
Tel. +39 0522/486308
Fax +39 0522/486330
info@flliferrari.it
marketing@flliferrari.it
www.flliferrari.com

Dealer



Data, descriptions, and illustrations pertain only and uniquely to models sold at the time of printing of this brochure. After the date of printing this information is purely indicative and not binding upon F.lli Ferrari. Future modifications are solely at the discretion of F.lli Ferrari and are always in compliance with applicable and pertinent safety standards. To obtain updated data, descriptions, and illustrations, contact the manufacturer or your reseller. Cranes manufactured and/or marketed by F.lli Ferrari.